



Series 525

Self-Contained Flake Ice Machine



Features:

- Great performance
- Quality flake ice
- Production up to 600 lb (273 kg) per day
- Bin capacity 175 lb (80 kg)
- Environmentally safe
- R404a Refrigerant
- Energy efficient - lower cost - long life
- Continuous ice making
- One single moving part
- Top mounted drive system
- Compact space saving design
- Low profile
- Gray baked enamel exterior or optional stainless steel
- Polyethylene bin



Series 525

Technical Specifications:

Condenser: Air-cooled

Shipping Weight: 282 lb (128 kg)

Water pressure: 20-120 psi

Ice Storage Capacity: 175 lb (80 kg)

Circuit Capacity:

AF525-P-SCR, AF525-S-SCR: 20A

AF525P-SC50R: 15A

Maximum fuse size:

AF525-P-SCR, AF525-S-SCR: 20A

AF525P-SC50R: 15A

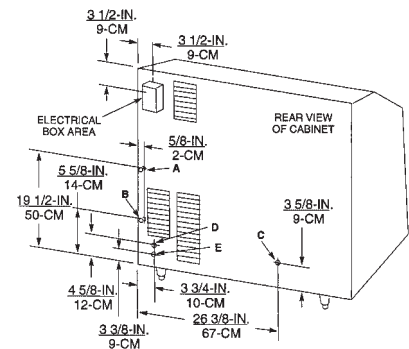
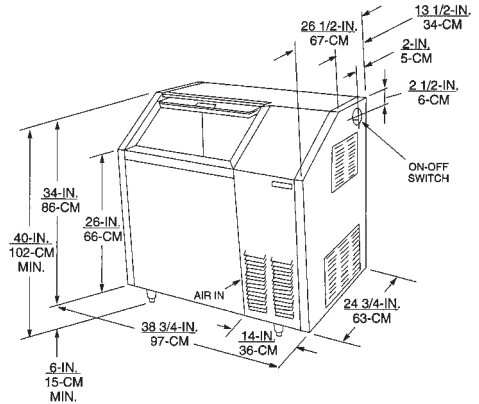
Operating Weight: 240 lb (109 kg)

Refrigerant type: R-404a

Ambient temperature: 50°F (10°C) -100°F (38°C)

Water temperature: 50°F (10°C) - 90°F (32°C)

Agency Listings:



- A – 3/8 WATER INLET (S.A.E. MALE FLARE)
- B – 1/2 O.D. TUBE (CONDENSATE DRAIN)
- C – 3/4 N.P.T. BIN DRAIN
- D – CONDENSER WATER IN (W/C ONLY)
- E – CONDENSER WATER OUT (W/C ONLY)

AF-525-P(S)-SCR PRODUCTION CHART			
AIR TEMPERATURE	WATER TEMPERATURE		
	50°F/10°C	70°F/21°C	80°F/27°C
50°F/10°C	654 lb/297 kg	588 lb/267 kg	552 lb/251 kg
70°F/21°C	639 lb/290 kg	563 lb/256 kg	521 lb/237 kg
90°F/32°C	562 lb/255 kg	479 lb/218 kg	448 lb/204 kg

AF-525-P-SC50R PRODUCTION CHART			
AIR TEMPERATURE	WATER TEMPERATURE		
	50°F/10°C	70°F/21°C	80°F/27°C
50°F/10°C	629 lb/286 kg	528 lb/240 kg	494 lb/225 kg
70°F/21°C	621 lb/283 kg	525 lb/239 kg	489 lb/222 kg
90°F/32°C	493 lb/224 kg	414 lb/188 kg	387 lb/176 kg

Model No.	Description	Cabinet	Electrical/	Voltage
AF525-P-SCR	525 Self-Contained Flaker	Enamel	115/V/60Hz/1	110-126V
AF525-S-SCR	525 Self-Contained Flaker	Stainless	115/V/60Hz/1	110-126V
AF525P-SC50R	525 Self-Contained Flaker	Enamel	220/V/50Hz/1	209-264V



For more information or to place an order, contact your sales representative or authorized distributor.

Phone: 1-800-238-3600
Fax: 1-800-535-4235

www.cornelius.com