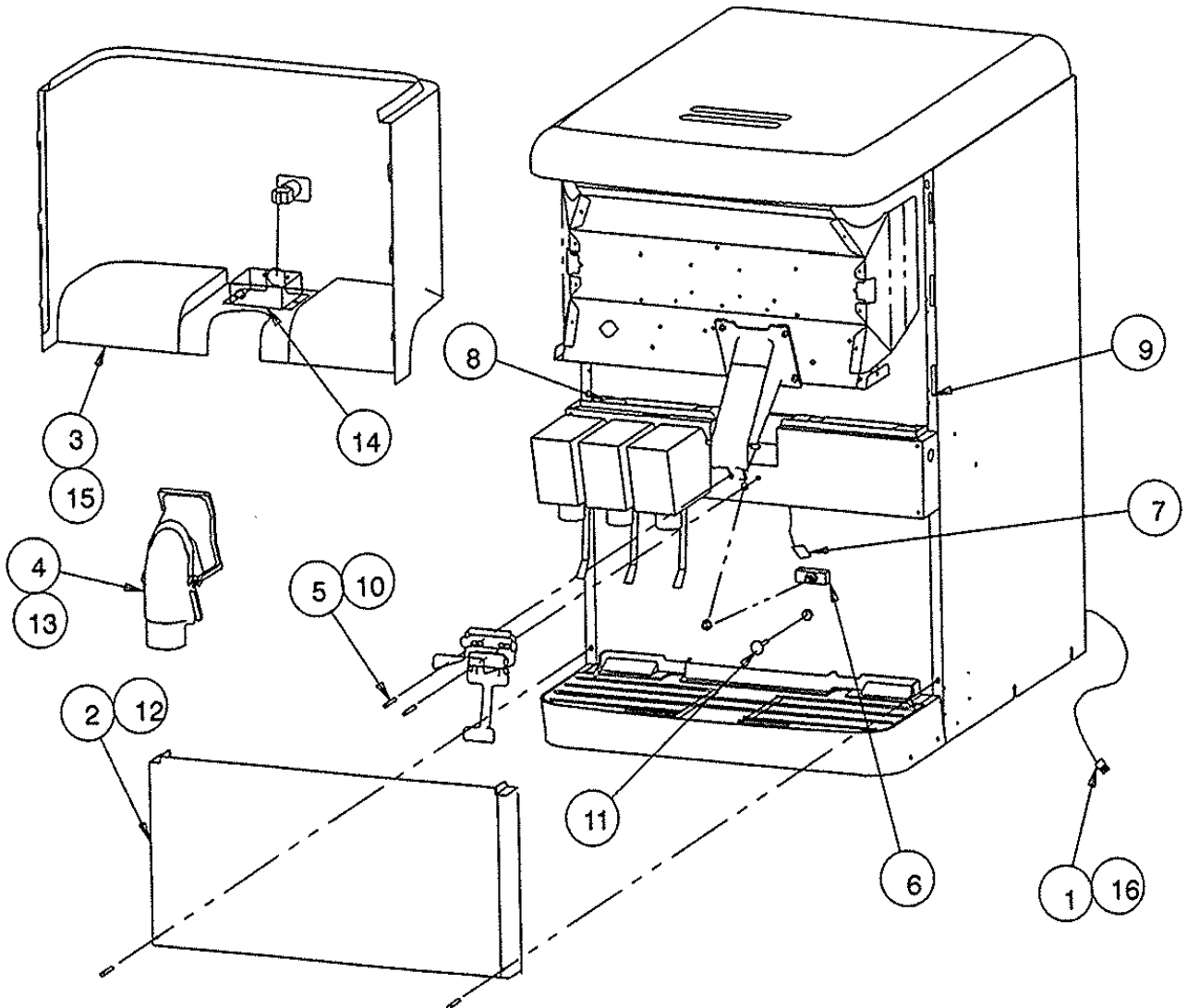


# INSTALLATION INSTRUCTIONS

## FOR PUSH BUTTON ICE SWITCH INSTALLATION

The callouts shown below represent the instructions steps on page 2.



The steps listed below are indicated in the illustration above.

### **WARNING:**

Disconnect power to the unit before servicing. Follow all lock out/tag out procedures established by the user. Verify all power is off to the unit before performing any work.

**Failure to comply could result in serious injury, death or damage to the equipment.**

1. Remove the splash panel.
2. Remove the existing merchandiser.
3. Remove the ice chute cover and retainer.
4. Remove the screws, dispense lever, and lever bracket.



5. Remove and disconnect the dispense switch.
6. Connect the kit wire harness to the dispense switch wire harness.
7. Route through the hole.
8. Ty-wrap to the hinge.
9. Install screws into the beverage panel.
10. Install screw and nut in switch hole on beverage panel.
11. Install splash panel.
12. Install the ice chute cover and retainer.
13. Connect the harness to the plug on the merchandise.
14. Install the merchandiser onto the unit.
15. Connect the unit to the electrical power supply.
16. Test operation.