

INSTALLATION INSTRUCTIONS

FOR ED250 DISPENSER/ICE-O-MATIC MODEL C106 ICE MAKER

Table 1. Loose Shipped Parts

Item No.	Part No.	Name	Qty.
1	22127	Bracket, Ice Maker Mounting	2
2	50904	RTV, 3OZ. Tube	1
3	70226	#10 Sheet Metal Screw	8

 **WARNING:**

Disconnect power to the unit before installing the adaptor following all lockout/tag out procedures established by the user. Verify that all the power is off to the unit before performing any work.

Failure to comply could result in serious injury, death or damage to the equipment.

 **WARNING:**

All ice baffle plates and bin stats, if included or recommended in this kit, must be installed as directed in this manual or the equipment manufacturer's instructions.

Failure to comply could result in serious injury, death or damage to the equipment.

 **WARNING:**

All of the attachment screws and plates must be installed as directed in this manual.

Failure to comply could result in serious injury, death or damage to the equipment.

1. Seal the ice maker to the top of the dispenser as follows (see Figure 1).
 - A. Locate the outline of the ice maker on the dispenser lid as shown in Figure 1.
 - B. Run a bead of RTV inside the perimeter of the ice maker outline on the dispenser lid so that the ice maker sets on the RTV.
 - C. Set the ice maker onto the lid and position it as shown in Figure 1.
 - D. Wipe away the excess RTV.
2. Drill 0.136" diameter holes (#29 drill) into the ice maker cabinet and the dispenser lid using the ice maker mounting brackets as templates. **Use extreme caution not to drill into any ice maker components (condenser, tubing, etc.).** Secure the brackets using the #10 sheet metal screws, 8 provided.
3. Follow the ice maker manufacturer's instructions to complete the installation of the ice maker including the bin thermostat if so equipped or required.

 **CAUTION:**

The bin thermostat location must not interfere with agitator rotation.

4. Secure the manual fill cover in position on the lid over the rear bin access opening with the thumbscrew. Note that the insulation strip should be compressed against the ice maker cabinet to form a seal with the cover secured in position.

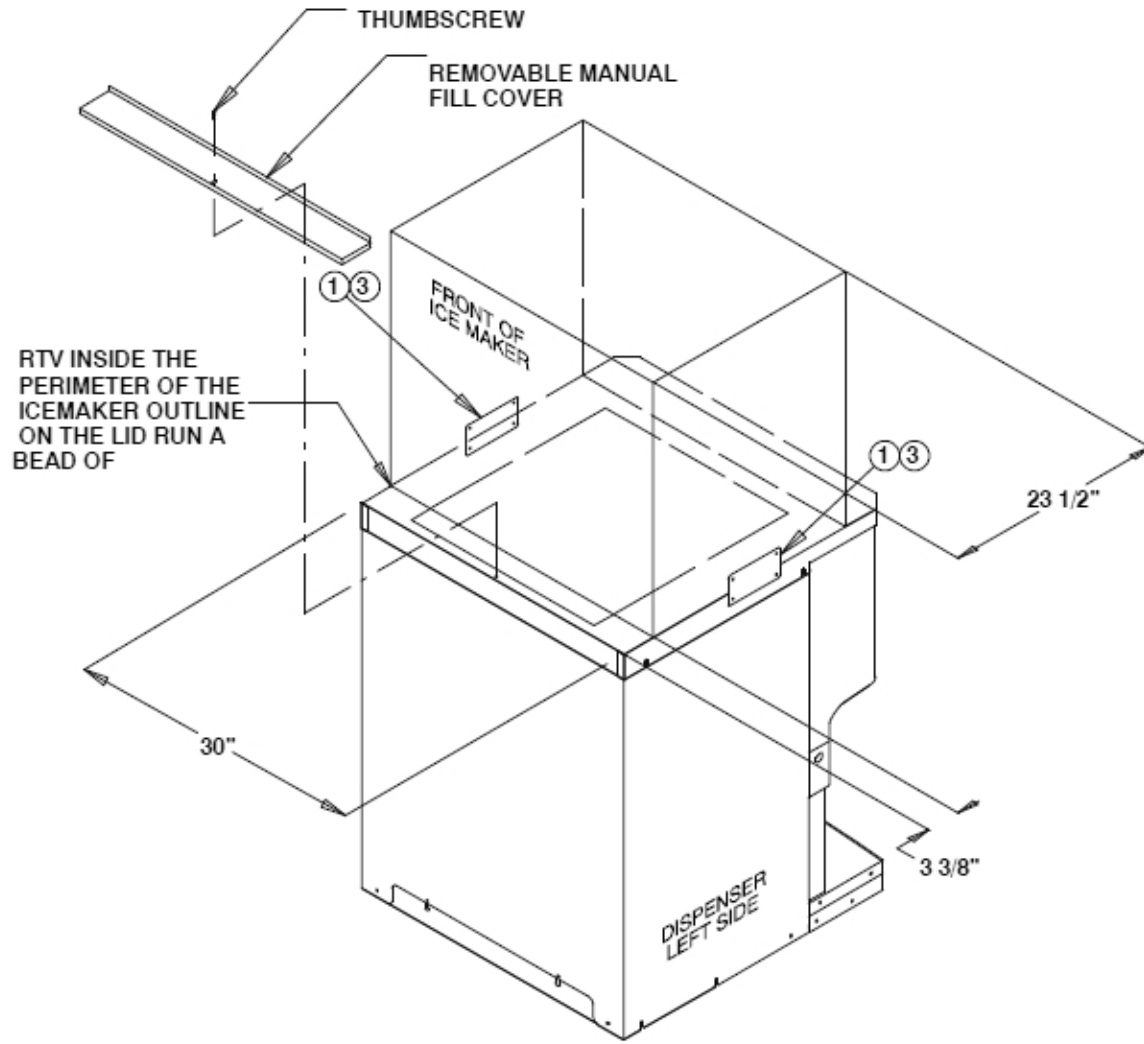


Figure 1. Dispenser Rear View