

INSTALLATION INSTRUCTIONS

"K" STYLE LID KIT, P/N 629083501 REAR MOUNT

These "K" style kits apply to the following ice makers and are for use with DF/ED 200/250 dispensers:

Table 1. Applicable Models

Ice Maker	Size
Manitowoc Q200/450/600/800	30"

Table 2. Loose Shipped Parts

Item No.	Part No.	Name	Qty.
1	620024406	Lid Assembly, "K" Style	1
2	22127	Bracket, Mounting	2
3	50904	RTV, Clear, 732, 3 oz. Tube	1
4	620701601	#10 Sheet Metal Screw	12
5	620910101	Installation Instruction	1



WARNING:

Disconnect power to the unit before installing the adaptor following all lockout/tag out procedures established by the user. Verify that all the power is off to the unit before performing any work.

Failure to comply could result in serious injury, death or damage to the equipment.



WARNING:

All ice baffle plates and bin stats, if included or recommended in this kit, must be installed as directed in this manual or the equipment manufacturer's instructions.

Failure to comply could result in serious injury, death or damage to the equipment.



WARNING:

All of the attachment screws and plates must be installed as directed in this manual.

Failure to comply could result in serious injury, death or damage to the equipment.

1. Set Ice maker lid on the top of the dispenser and position it flush with the back and sides of the dispenser.
2. Using the slotted holes in the lid as a template, drill four (4) 0.147" diameter holes at the bottom of the slots (see detail A). Use extreme care not to drill into the hopper. Fasten the lid to the dispenser with four (4) #10 sheet metal screws, two on each side.
3. Seal the ice maker to the top of the dispenser as follows:
 - A. Apply beads of RTV around the opening in the lid and inside the perimeter of the ice maker outline so that the ice maker will set on the RTV.
 - B. Set the ice maker onto the lid and position it as required, front flush with rear of lid.
 - C. Wipe away any excess RTV.
4. Install Mounting Brackets (Item 2) by drilling 0.147" diameter holes into the adapter lid and ice maker cabinet using brackets as templates. Use extreme caution not to drill into any ice maker components (condenser, tubing, etc.). Secure the brackets using the screws provided.
5. Follow the ice maker manufacturers instruction to complete the installation of the ice maker including the bin thermostat if so equipped or required.

CAUTION:

Bin thermostat must not interfere with the agitator rotation. The front of the ice maker radius must be flush with the back of the lid (item 1).

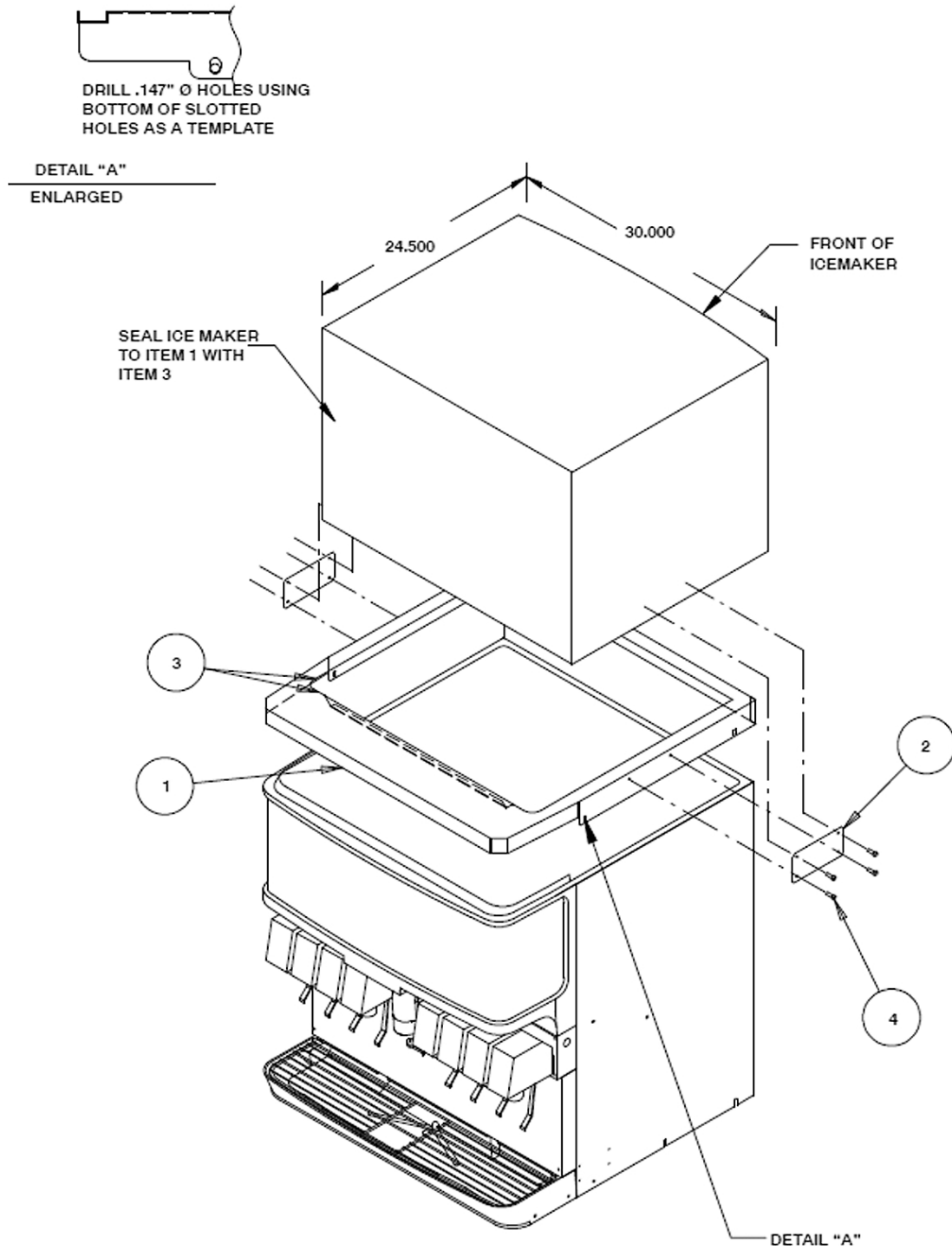


Figure 1.