

INSTALLATION INSTRUCTIONS

DF/ED250PRO FIELD KIT (P/N 629087544)

Installation of Low CO₂ Indicator Light

Parts List			
Item No.	Part Number	Description	Qty.
1	620313223	CO ₂ Pressure Switch	1
2	77060500	Tee 1/4MFL	1
3	40502	O-Clamp	2
4	77010400	1/4 Barb Stem	2
5	77045700	1/4 Flare Swivel Nut	2
6	178025100	1/4 Flare Washer	3
7	33666	Indicator Light 24V	1
8	620316401	CO ₂ Light Harness	1
9	620316402	CO ₂ Pressure Switch Harness	1
10	620313651	Jumper CO ₂ Pressure Switch	1
11	32870	Splice	2
12	50705	Cable Tie	8
13	620920638	Label Low CO ₂ Light	1
14	620919569	Installation Instructions	1

⚠ WARNING:

Disconnect power to the unit before servicing. Follow all lock out/tag out procedures established by the user. Verify all power is off to the unit before performing any work.

Failure to comply could result in serious injury, death or damage to the equipment.

⚠ WARNING:

Water and CO₂ to the system must be turned off and the system depressurized prior to performing this service.

Failure to comply could result in serious injury, death or damage to the equipment.

1. Remove the upper front panel which is secured to the cabinet by “hooks” that fit into slots on the cabinet front flange. Lift up on the panel right and left sides to disengage the hooks from the slots and then rotate the panel downward and forward to remove from the cabinet. Disconnect the (3) electrical harnesses at the rear of the front panel.
2. Remove the lower front splash panel (2 screws).
3. Locate the CO₂ supply line (1/4 beverage tubing) to the carbonator tank located on the right side of the unit above the coldplate (see Figure 1). Cut this line in an area that will be accessible for future servicing and install the CO₂ pressure switch with the fittings provided in the kit (see Figure 3).
4. Refer to Figure 2 for installing the CO₂ indicator light on the upper front panel. Remove the lid and straw holder by loosening (3) screws at the “key-holes” and lifting up to clear the screw heads. Remove the lower front ice portion control enclosure (4 screws) and disconnect the electrical harnesses as needed for reworking the enclosure. Locate and drill a 1/2 in. diameter hole in the enclosure as shown in Figure 2 for the indicator light. Insert the light from the front and “snap” into the mounting hole.

5. Refer to the wiring detail of Figure 4 to complete the electrical hook-up of the indicator light to the pressure switch and the 24V beverage transformer power source.
6. Route the electrical wires to the CO₂ pressure switch behind the beverage panel with the harnesses from the unit's electrical control box. Remove the (6) screws securing the beverage panel to the cabinet. The panel can now be pulled down to provide access for routing the pressure switch wires. Secure the wiring with the plastic cable ties provided in the kit to avoid "pinching" (cutting) the wire insulation when the panels are assembled to the cabinet.
7. Connect electrical power to the unit. Before opening the water and CO₂ supply valves to the beverage system, verify that the CO₂ indicator light is on. The indicator light should go off when the CO₂ supply valve is opened.
8. Check for proper operation of the ice portion control system and the beverage system. Refer to the operation instructional label located on the upper front panel and the owners manual. The unit is now ready for operation.

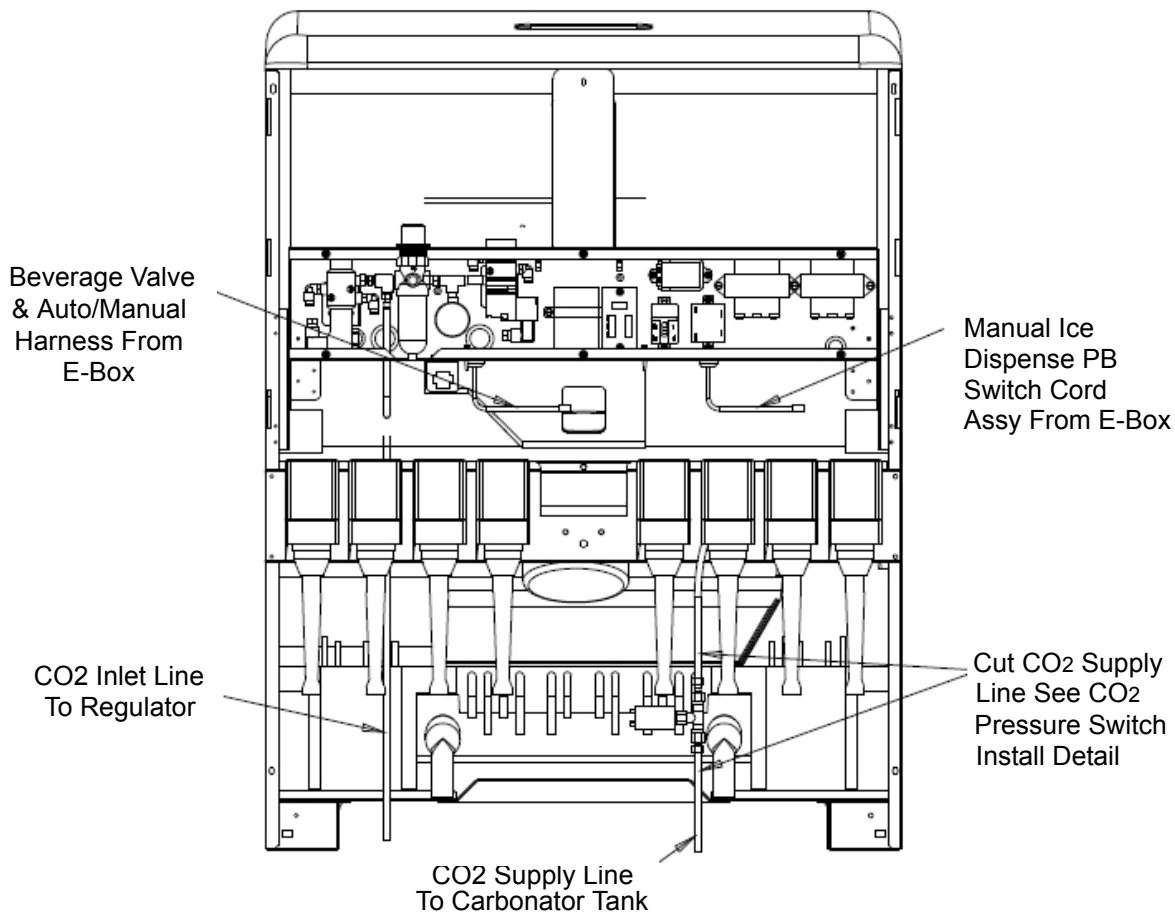


Figure 1.

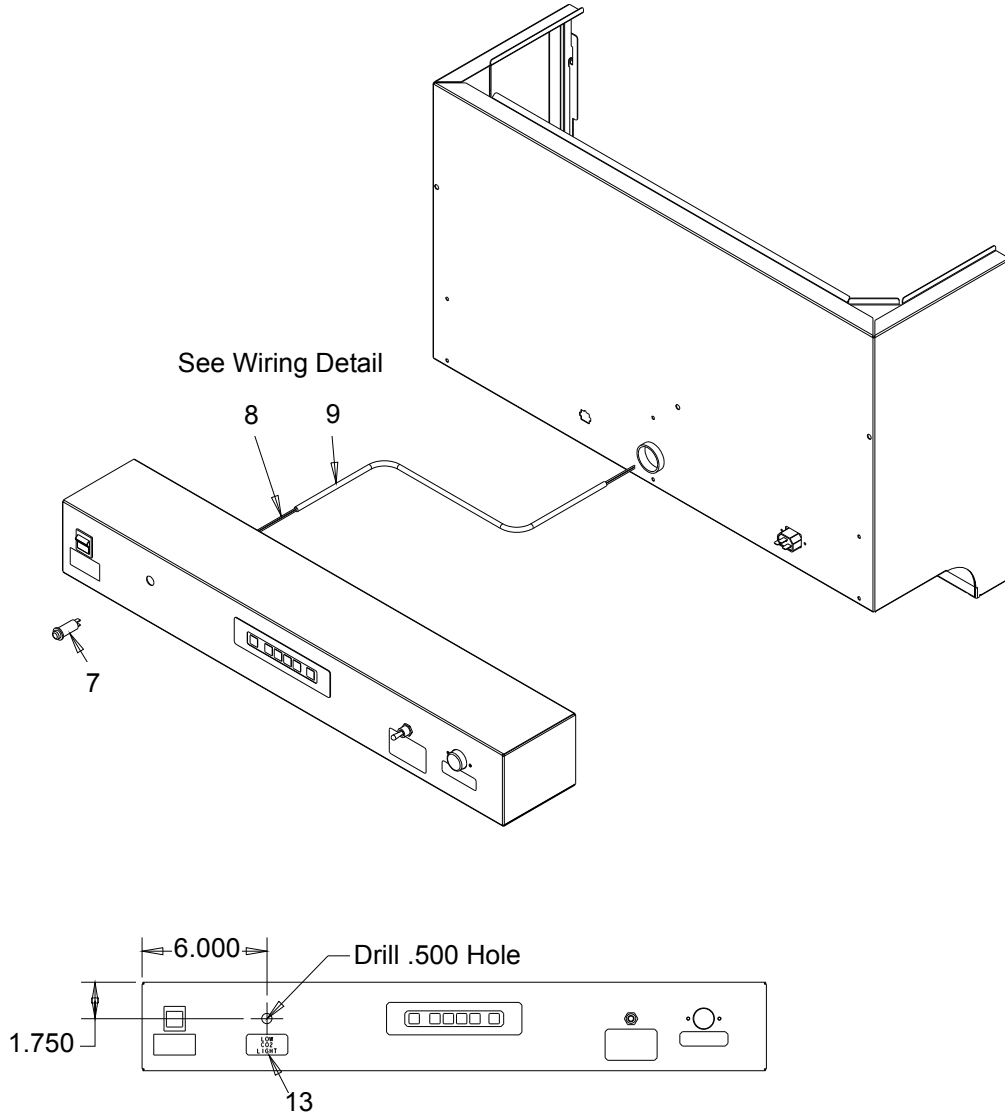


Figure 2.

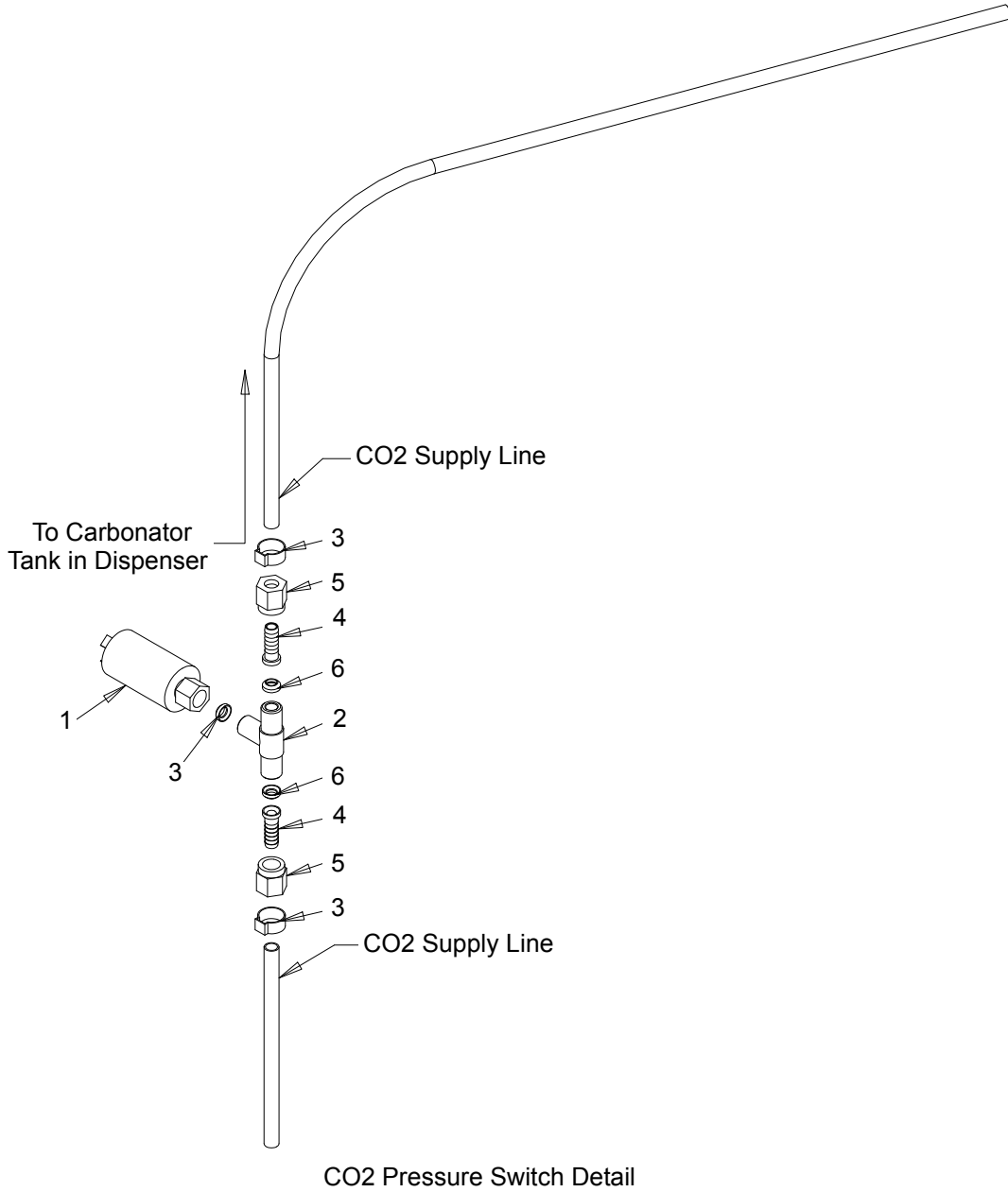


Figure 3.

