

# INSTALLATION INSTRUCTIONS

## ED 2XX FLAVORBLAST™ KITS

### Loose Shipped Parts

- Drill template
- Sheetmetal housing for Flavor Blast keypad housing
- Sheetmetal bracket to mount white inner nozzle
- 3/16 pop-rivets

### Tools Required

- Drill w/ 3/16" drill bit (#10) or equivalent
- Pop rivet gun or equivalent for 3/16 rivets
- Tape measure
- Marker, pen, pencil
- Center punch (not required)
- 1-1/4" hole saw (metal cutting)

### Dual Merchandiser Modifications

1. With the merchandiser removed, measure 15" from either side and mark this with marker, pencil, pen etc. This is center of the merchandiser see FIGURE 1. If the merchandiser in this kit already has the holes punched, skip to Step 5.

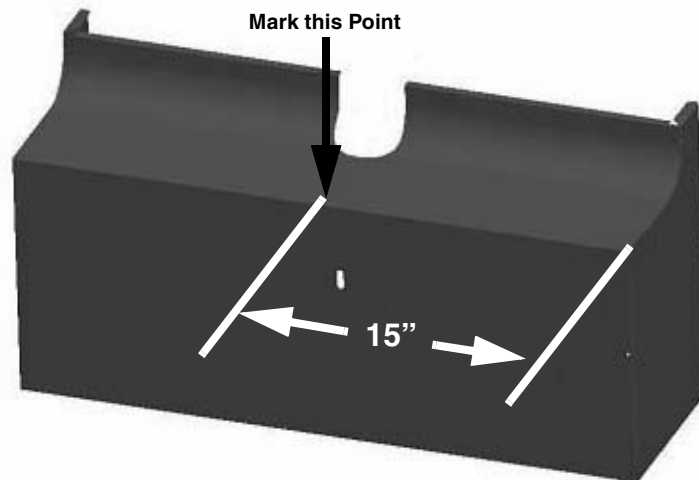


FIGURE 1

- Using the template supplied in the kit, align the template as shown making sure that the center arrow on the template is aligned with the center mark made in Step 1, see FIGURE 2.

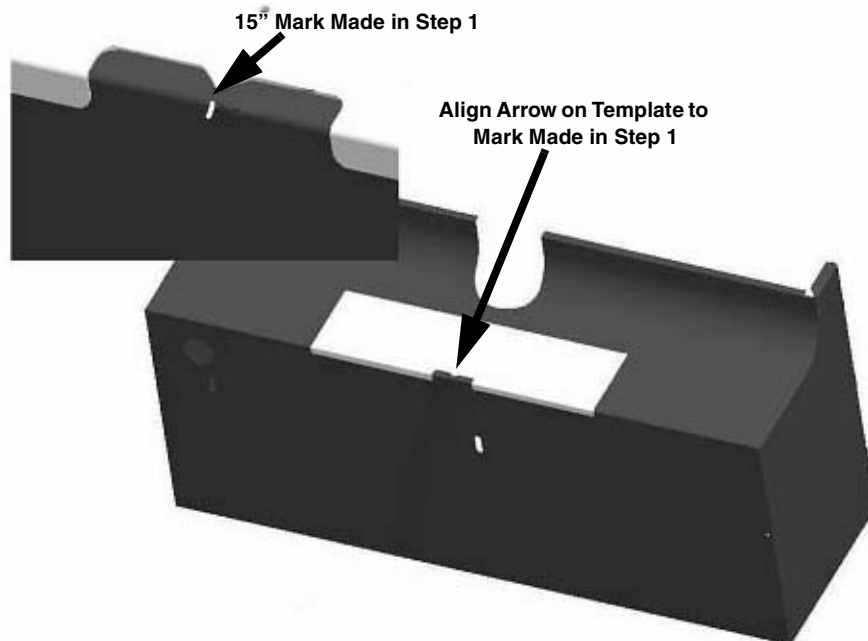


FIGURE 2

- Using the holes in the template, mark all these hole locations with a marker or center punch.
- Remove template and drill (9) 3/16" holes and (1) 1-1/4" hole, see FIGURE 3. Be sure to de-burr all the holes.

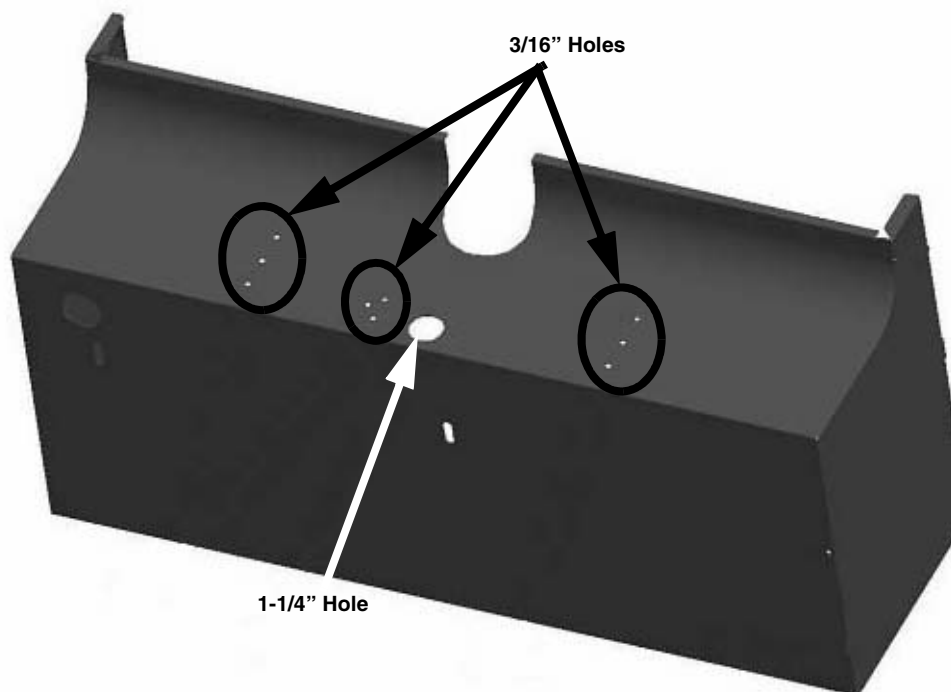
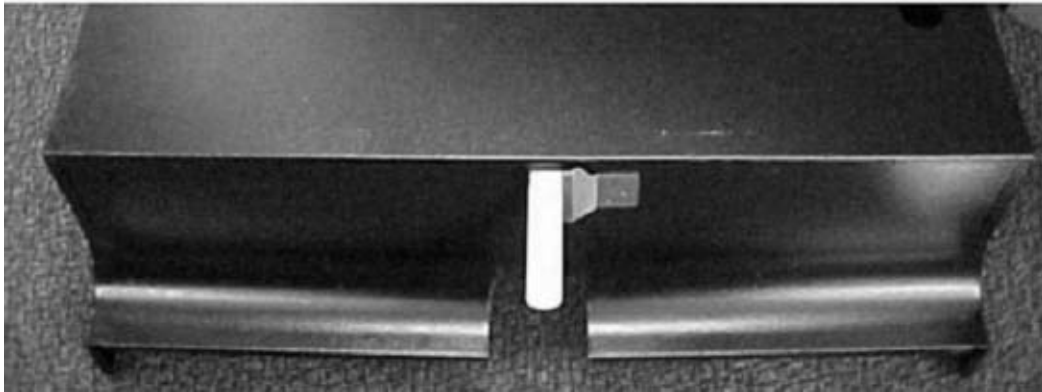


FIGURE 3

5. Attach small sheetmetal bracket that mounts the white inner nozzle using 3/16" pop-rivets see FIGURE 4. **BE SURE TO INSTALL WHITE INNER NOZZLE ON BRACKET BEFORE INSTALLING.**



**FIGURE 4**

6. Attach sheetmetal housing for Flavor Blast keypad housing using 3/16" pop-rivets see FIGURE 5.



**FIGURE 5**

7. Refer to additional installation manuals included in this kit to finish installation.