

# INSTALLATION INSTRUCTIONS

## FLAVORFUSION SPLASH GUARD KIT

### Tools Required

- Pencil or Marker
- Tape Measure
- Drill
- 1/4" Drill Bit
- #2 Phillips Screwdriver

### Installation Instructions

1. Remove the splash panel from the dispenser, as shown in FIGURE 1.

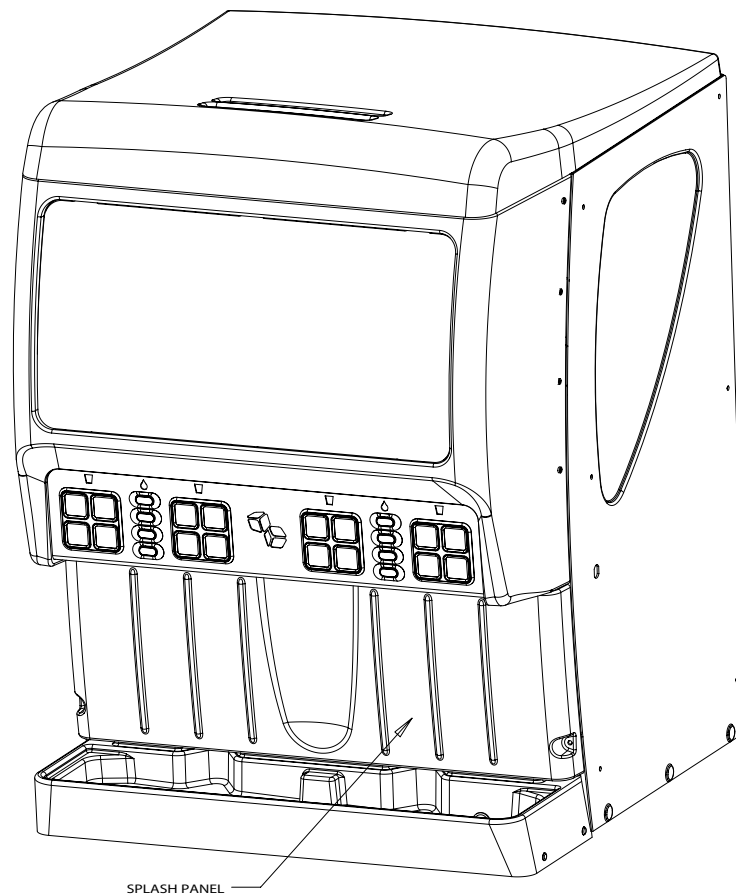
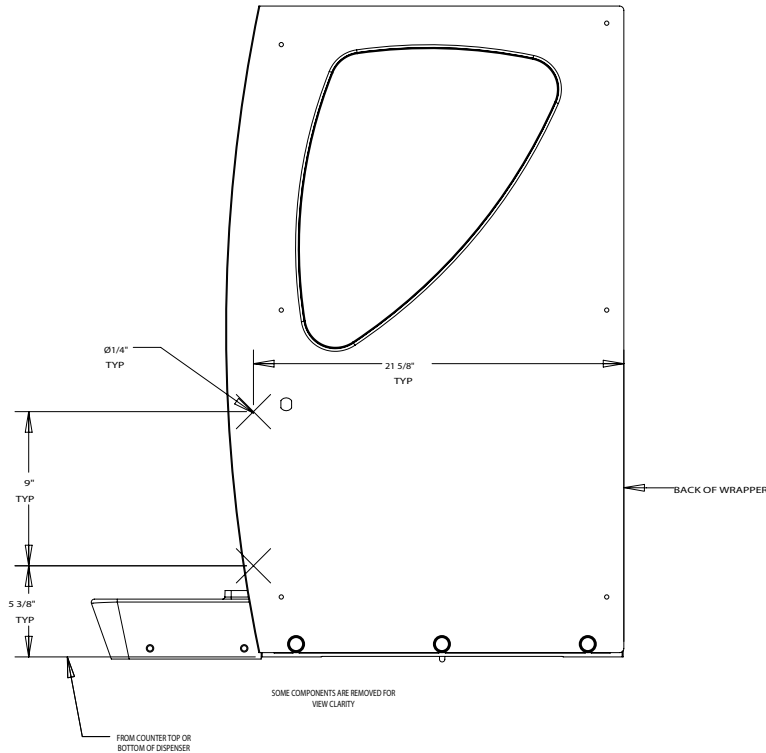


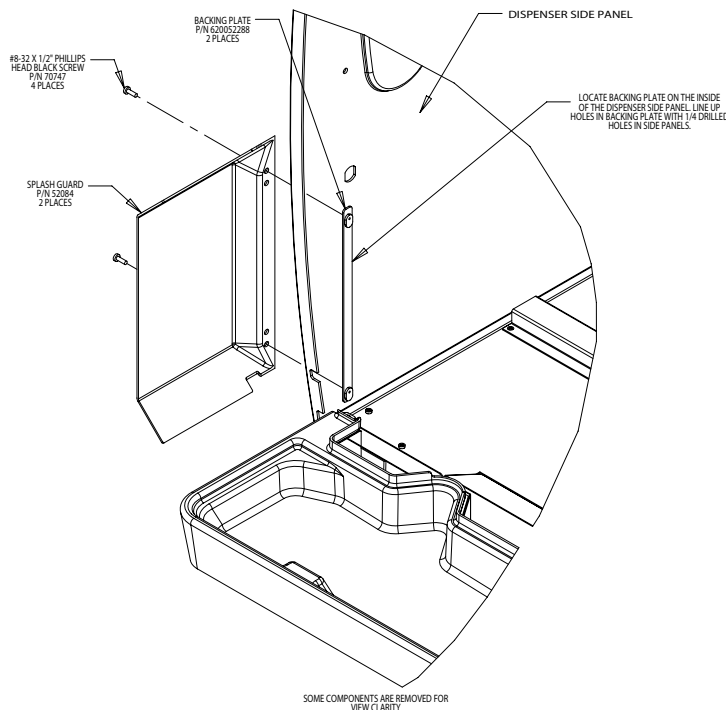
FIGURE 1

2. Mark the 1/4" holes on both sides of the dispenser with a tape measure and a pencil or marker, as shown in FIGURE 2.



**FIGURE 2**

3. Carefully drill holes in the plastic side panels using a drill and 1/4" drill bit.
4. Attach the splash guards to both sides of the dispenser, as shown in FIGURE 3.



**FIGURE 3**

5. Re-install the splash panel onto the dispenser.