



Features

Increase your brand density and consumer selection in the same or smaller equipment footprint!

Unique

Dispense three (3) brand valves
+ one (1) water valve from the same unit

Market

Reach more consumers
and daily occasion opportunities

Consistent

Drink quality and performance

Adaptable

Available as retrofit kit or part of new
equipment and runs on unit's existing
electronics

Ease of Installation

Install in less than 1 hour

Reliable

Capacitive touch panel with durable
and reliable market performance

Serviceability

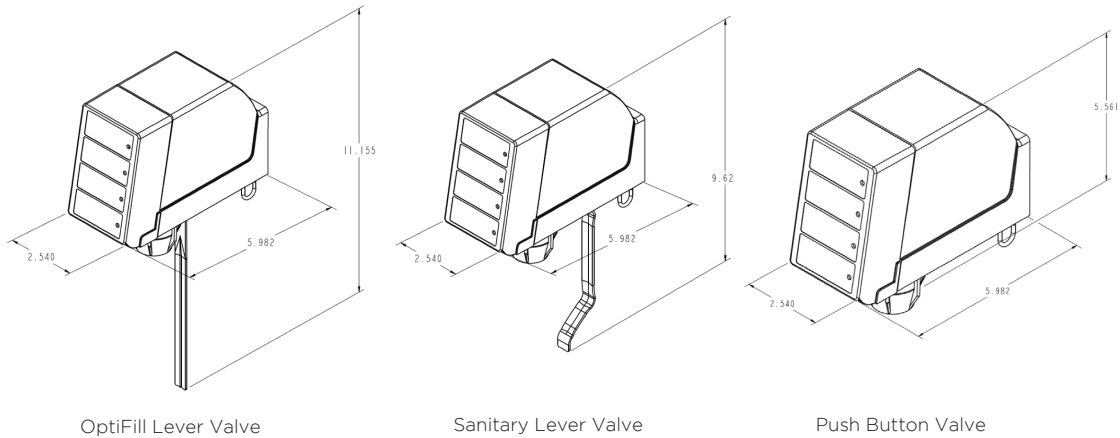
Uses existing Cornelius parts to
facilitate service network management

Durability

Durable valve and body design

Ease of Use and Maintenance



Front access to all controls



Note: All Dimensions are in Inches

Technical Specifications

Flow Rate	1.5 - 3oz/sec (45-90 mL)
Operational Relative Humidity Range	20-100%
Operational Humidity Range	32°-140°F (0°-60°C)
Electrical Requirements	24v/50hz/60hz

Shipping Weight	33lbs. (16-valve carton)
Graphic Dimensions (If Applicable)	Front: 0.825"H x 1.93"W (4 locations) Back: 1.22"H x 1.97" (top) x 2" (bottom)
Agency Listings	UL, NSF  

Model Number	Description
620073003	PRISM, Sanitary Lever Valve, with Covers and Backblock
620073004	PRISM, Sanitary Lever Valve, with Covers (No Backblock)
620073005	PRISM, Push Button Valve, with Covers and Backblock
620073006	PRISM, Push Button Valve, with Covers (No Backblock)
620073007	PRISM, OptiFill Lever Valve, with Covers and Backblock
620073008	PRISM, OptiFill Lever Valve, with Covers (No Backblock)
620073009	PRISM, Sanitary Lever Valve (No Covers or Backblock)
620073010	PRISM, Push Button Valve (No Covers or Backblock)
620073822	PRISM, OptiFill Lever Valve (No Covers or Backblock)
620069490	PRISM, Knockout Kit Standard
629097803	Knockout Kit with Five (5) Adapter Plates
620069489	Knockout Adapter Plate
620070512	Knockout Punch Tool
629097802	PRISM, Installation Kit
620056417	PRISM, Backblock
620070509	PRISM, Decal Pepsi
620070510	PRISM, Decal Generic

To learn more about **Cornelius Prism**, visit cornelius.com