



## ENDURO ICE DISPENSERS WITHOUT ICE MAKERS

**ENDURO 150**  
with water lever



**ENDURO 150**



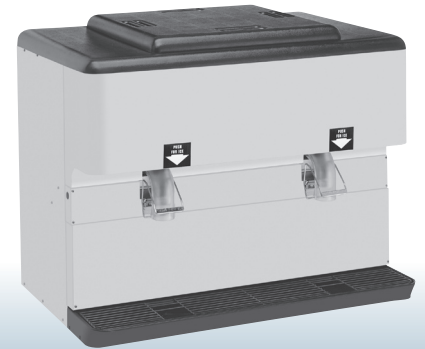
**ENDURO 200**



**ENDURO 250**



**ENDURO 300**



## FEATURES

**Design** - Rounded stainless steel exterior provides a stylish appearance

**Intelligent** - Gravity ice dispensing with positive shutoff provides excellent ice targeting

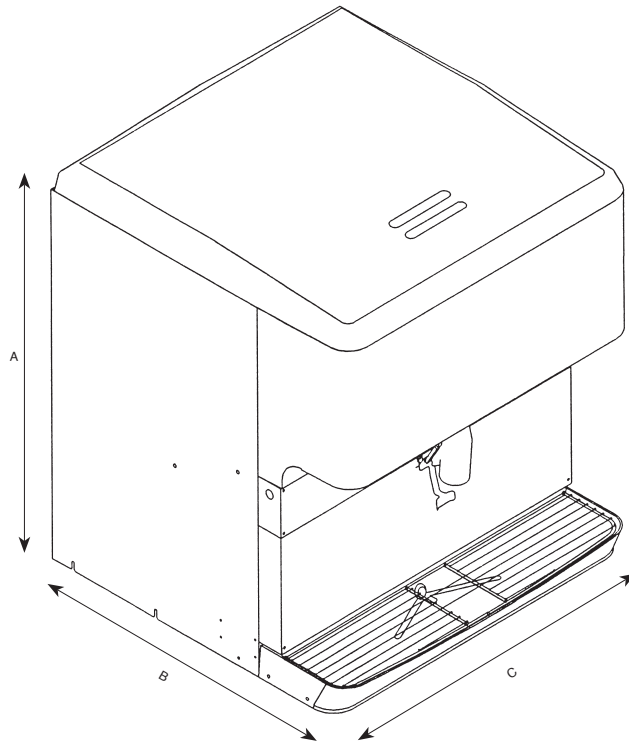
**Clean** - Insulated drip tray prevents condensation

**Options** - Water valve option is available

**Flexible** - Enduro 150, 200 and 250 include 4" legs

**Durable** - One-piece ABS thermoformed plastic ice hopper (Durabide™ design) provides durability and ensures all ice in hopper is dispensable

**Easy access** - All components accessible from front of unit



PART NUMBER	MODEL	ICE STORAGE CAPACITY	A	B	C
621055286	Enduro 150 (with water lever installed)	150 lbs (68kg)	35.62" (90 cm)	30" (76 cm)	22" (56 cm)
621022460	Enduro 150	150 lb (68 kg)	35.62" (90 cm)	30" (76 cm)	22" (56 cm)
621022560	Enduro 200	200 lb (91 kg)	35.62" (90 cm)	30" (76 cm)	30" (76 cm)
621022740	Enduro 250	250 lb (113 kg)	39.62" (101 cm)	30" (76 cm)	30.69" (77 cm)

## TECHNICAL SPECIFICATIONS

CUP CLEARANCE . . . . . 10" (25.4 cm)

ELECTRICAL RATING . . . . . 115 V / 60 Hz / Max 5.2 Amps

SHIPPING WEIGHT . . . . . Enduro 150: 151 lb (68 kg)  
 Enduro 200: 197 lb (89 kg)  
 Enduro 250: 201 lb (91 kg)  
 Enduro 300: 251 lb (114 kg)

AGENCY LISTINGS . . . . .  

