



ENDURO 200

Post-Mix Ice Drink Dispenser

Specification Sheet



Features

Large ice capacity

200 lb. ice capacity

Choices

Available with 8 UFB-1TM sanitary lever or push button valves

Merchandising

Highly efficient LED illuminated merchandiser utilizing a brighter, longer lasting bulb, providing a high impact visual display

Ice

Gravity ice dispensing with positive shut-off provides excellent ice targeting
Ice used to cool cold plate is separate from ice dispensed into cups

Durable

Easily changes from carbonated to non-carbonated. One piece ABS thermoformed plastic (Durabide™ design) provides durability and ensures all ice in hopper is dispensable

Flexible

Unit readily accepts top mount cubers with manual ice fill capability

Quality

Stainless steel cabinet

Ease of Use

Modular design allows for easy component access from the front of the unit

TotalFlex™

Easily changes from carbonated to non-carbonated



MARMON
Foodservice
Technologies

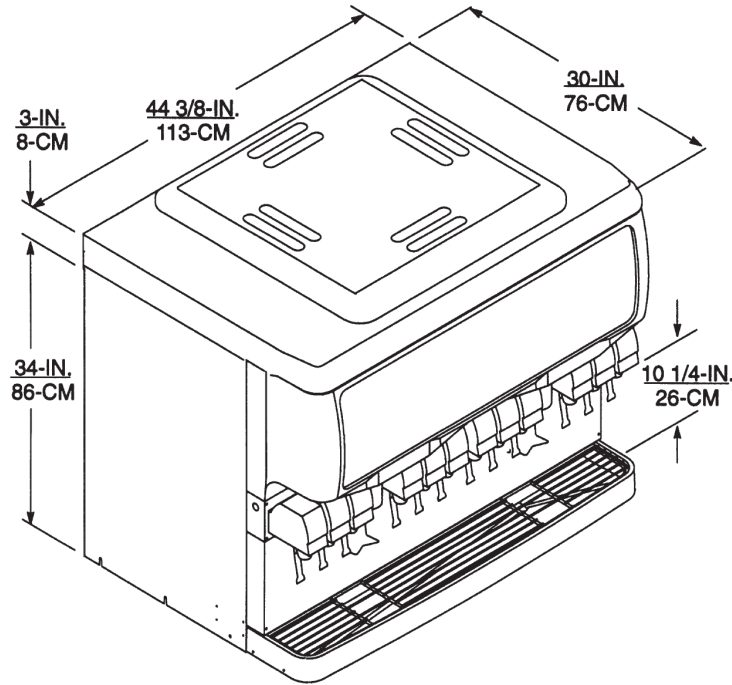
A BERKSHIRE HATHAWAY COMPANY



ENDURO 200

Post-Mix Ice Drink Dispenser

Specification Sheet



Technical Specifications

| | |
|---------------------------------|--|
| Electrical Rating | 115v / 60Hz / 3.5 Amps |
| Ice Storage Capacity | 200lb (90.72kg) |
| Ice Beverage Manifolding | TotalFlex™ |
| Cup Clearance | 10" (25.40cm) |
| Cooling Capacity | 10-12oz drinks/min @ 75°F |
| Drain Connection | 0.75" PVC (NPT) or 1" ID flexible tubing |
| Graphic Dimensions | Overall: 11.083"H x 24.794"W Viewable: 10.608"H x 24.17"W |

| | |
|-------------------------|--|
| Standard Options | Beverage key switch, Timed ice agitation and 4" legs |
| Shipping Weight | 310 lb (140.61kg) |
| Agency Listings |    City of Los Angeles |

| Part Number | Description |
|-------------|--|
| 621053108 | Ice Drink Dispenser with 12 UFB-1™ 2-4oz Sanitary Lever Valves |
| 0511152 | Ice Drink Dispenser with 8 UFB-1™ 2-4oz Push Button Valves |
| 621053107 | Ice Drink Dispenser with 10 UFB-1™ 2-4oz Sanitary Lever Valves |
| 621053106 | Ice Drink Dispenser with 10 UFB-1™ 2-4oz Push Button Valves |
| 3473 | Drink dispenser stand dimensions: 30"H x 30"W x 30"D |

* If top mounting an ice maker, an ice maker adapter kit is required. Order separately.

To learn more and see **Enduro 200** in action, visit cornelius.com
 To contact a Cornelius® expert today, visit cornelius.com/contact-us