



ENDURO 200

Post-Mix Ice Drink Dispenser

Specification Sheet



Features

Large Ice Capacity

200 lb. ice capacity

Choices

Available with 8 UFB-1™ sanitary lever or push button valves

Merchandising

Highly efficient LED illuminated merchandiser utilizing a brighter, longer lasting bulb, providing a high impact visual display

Ice

Gravity ice dispensing with positive shut-off provides excellent ice targeting
Ice used to cool cold plate is separate from ice dispensed into cups

Durable

Ensure performance whether changing from carbonated to non-carbonated or dispensing all ice from hopper (enabled by ABS thermoformed Durabide™ plastic)

Flexible

Unit readily accepts top mount cubers with manual ice fill capability

Quality

Stainless steel cabinet

Ease Of Use

Modular design allows for easy component access from the front of the unit

TotalFlex™

Easily changes from carbonated to non-carbonated



Marmon Foodservice
Technologies

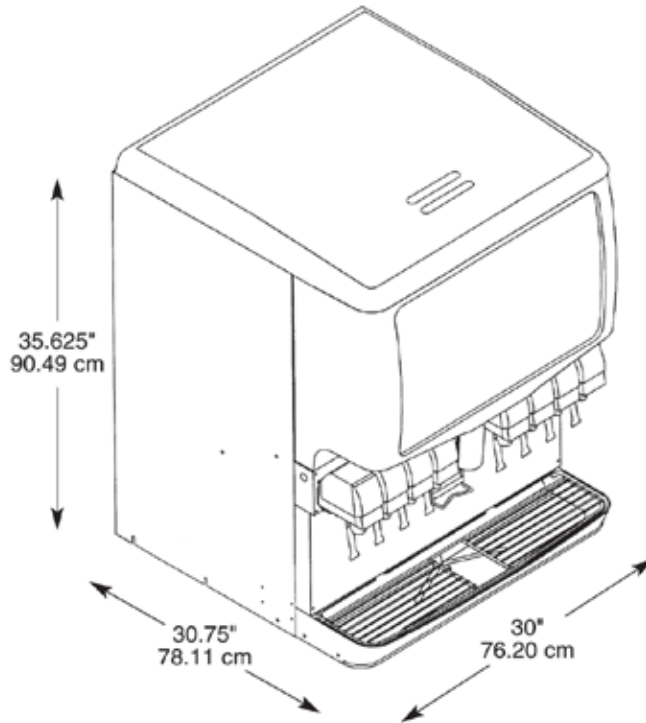
A Berkshire Hathaway Company



ENDURO 200




Post-Mix Ice Drink Dispenser

Specification Sheet



Technical Specifications

Electrical Rating	115 V/60 Hz/3.5 Amps
Ice Storage Capacity	200lb (90.72kg)
Ice Beverage Manifolding	TotalFlex™
Cup Clearance	10" (25.40cm)
Cooling Capacity	10-12oz drinks/min @ 75°F
Drain Connection	0.75" PVC (NPT) or 1" ID flexible tubing
Graphic Dimensions	Overall: 11.083"H x 24.794"W Viewable: 10.608"H x 24.17"W

Standard Options	Beverage key switch, Timed ice agitation and 4" legs
Shipping Weight	310 lb (140.61kg)
Agency Listings	  

Part Number	Description
621053108	Ice Drink Dispenser with 12 UFB-1™ 2-4oz Sanitary Lever Valves
0511152	Ice Drink Dispenser with 8 UFB-1™ 2-4oz Push Button Valves
621053107	Ice Drink Dispenser with 10 UFB-1™ 2-4oz Sanitary Lever Valves
3473	Drink dispenser stand dimensions: 30"H x 30"W x 30"D

* If top mounting an ice maker, an ice maker adapter kit is required. Order separately.

To learn more about **Enduro 200**, visit cornelius.com