

IDC 2XX WITH COLD CARBONATION

Illustrated Parts List



Release Date: November 22, 2005

Publication Number: 621057403IPL

Revision Date: December 05, 2017

Revision: N

Visit the Cornelius web site at www.cornelius.com for all your Literature needs.

The products, technical information, and instructions contained in this manual are subject to change without notice. These instructions are not intended to cover all details or variations of the equipment, nor to provide for every possible contingency in the installation, operation or maintenance of this equipment. This manual assumes that the person(s) working on the equipment have been trained and are skilled in working with electrical, plumbing, pneumatic, and mechanical equipment. It is assumed that appropriate safety precautions are taken and that all local safety and construction requirements are being met, in addition to the information contained in this manual.

This Product is warranted only as provided in Cornelius' Commercial Warranty applicable to this Product and is subject to all of the restrictions and limitations contained in the Commercial Warranty.

Cornelius will not be responsible for any repair, replacement or other service required by or loss or damage resulting from any of the following occurrences, including but not limited to, (1) other than normal and proper use and normal service conditions with respect to the Product, (2) improper voltage, (3) inadequate wiring, (4) abuse, (5) accident, (6) alteration, (7) misuse, (8) neglect, (9) unauthorized repair or the failure to utilize suitably qualified and trained persons to perform service and/or repair of the Product, (10) improper cleaning, (11) failure to follow installation, operating, cleaning or maintenance instructions, (12) use of "non-authorized" parts (i.e., parts that are not 100% compatible with the Product) which use voids the entire warranty, (13) Product parts in contact with water or the product dispensed which are adversely impacted by changes in liquid scale or chemical composition.

Contact Information:

To inquire about current revisions of this and other documentation or for assistance with any Cornelius product contact:

www.cornelius-usa.com

800-238-3600

Trademarks and Copyrights:

This document contains proprietary information and it may not be reproduced in any way without permission from Cornelius.

This document contains the original instructions for the unit described.

CORNELIUS INC
101 Regency Drive
Glendale Heights, IL
Tel: + 1 800-238-3600

Printed in U.S.A.

CLADDING COMPONENTS AND OVERALL ASSEMBLY DETAIL

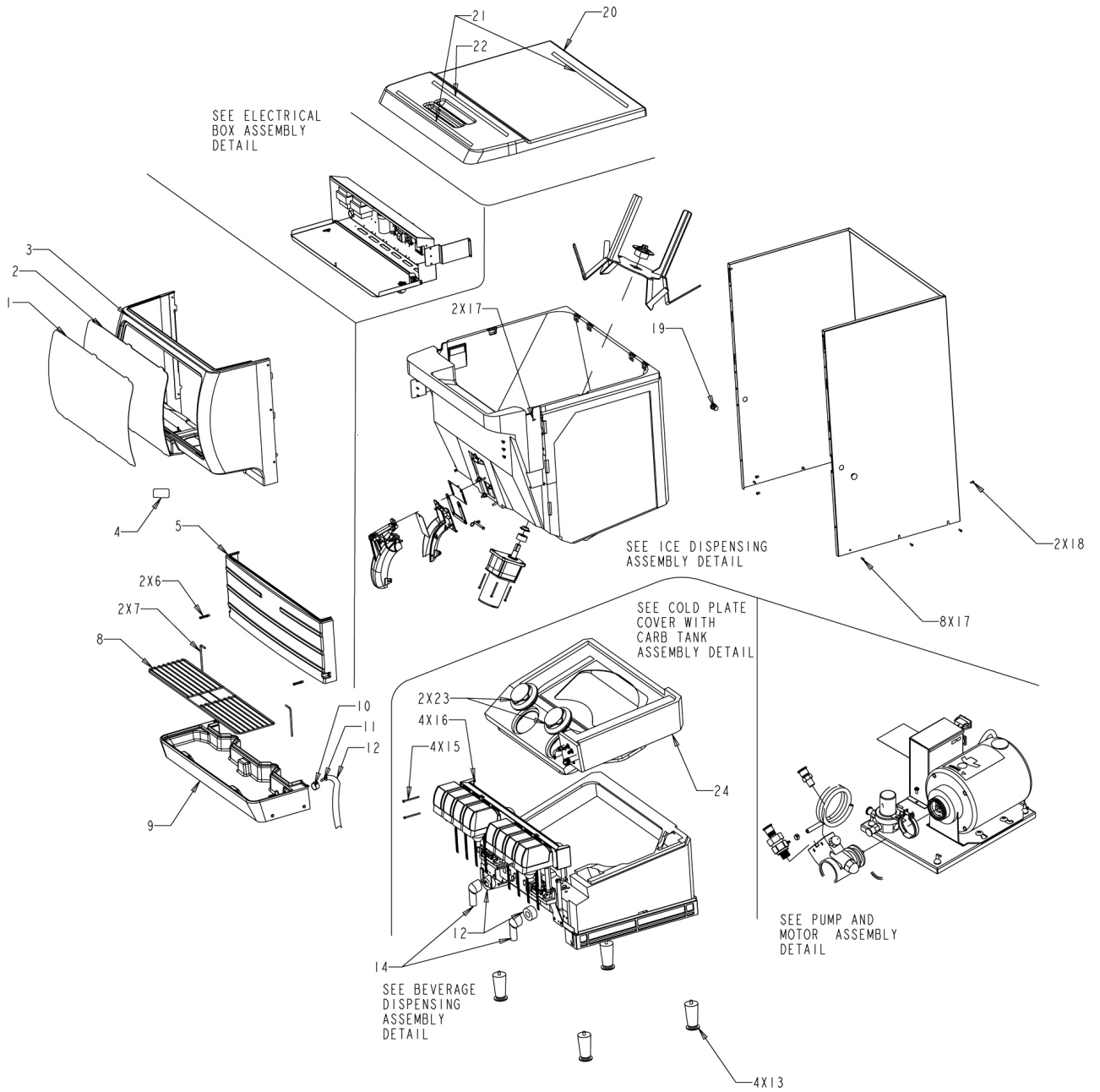


Figure 1.

Item No.	Part No.	Name
1	620920086	Merchandiser Graphic IDC 255
	620921016	Merchandiser Graphic IDC 215
2	620044219	Merchandiser Lens IDC 255
	620518221	Merchandiser Lens IDC 215
	620518235	Merchandiser Lens NGF 255
3	620044217	Merchandiser Assembly IDC 255 Black
	620044233	Merchandiser Assembly IDC 215 Black
	620056095	Merchandiser Assembly NGF 255 Black
	620044272	Merchandiser Assembly NGF 255 Blue
	620053887	Merchandiser Assembly IDC 255 SS
	620053787	Merchandiser Assembly IDC 215 SS
4	620920955	Ice Label
5	620052764	Splash Panel IDC 2XX Black
	620052961	Splash Panel Z Style IDC 2XX SS
	620052923	Splash Panel IDC 2XX SS
	620053444	Splash Panel NGF255 SS
	620053446	Splash Panel Z Style NGF 255 SS
6	70171	Machine Screw, #8-32 X 3/8" Long, Stainless Steel
7	10145	Drip Tray Mounting Pin

Item No.	Part No.	Name
8	620708534	Cup Rest
9	620046247	Drip Tray
10	70750	Hose Clamp
11	51774	Clear Vinyl Tubing 1" ID X 1/8" Wall: Supplied in 6' lengths.
12	50335	Armaflex Insulation 1-3/8" ID X 3/8" Wall: Supplied in 6' lengths.
13	70970	4" Adjustable Leg, 3/8"-16, Black Plastic with Nickel Plated Foot
14	53011	Rubber Elbow Fitting for Cold Plate Drain
15	70555	Machine Screw, #8-32 X 2-5/8" Long, Stainless Steel
16	71010	#8 Retaining Washer
17	620705801	Phillips Truss Head Screw, #8-18 X 1/2" Long, Stainless Steel
18	70171	Machine Screw, #8-32 X 3/8" Long, Truss Pan-Head, Stainless Steel
19	32977	Keyswitch Assem. (Keys Included): Replacement keys only (70739)
20	620517034	Lid IDC 2XX Black
	620056097	Lid NGF 2XX Black
	620520612	Lid NGF 2XX Blue
21	91957	Lid Warning Label
22	620708523	Lid Manual Fill Caution Label
23	620516645	Cover Cold Plate Access
24	620043354	Cold Plate Cover Assy

ELECTRICAL BOX ASSEMBLY DETAIL

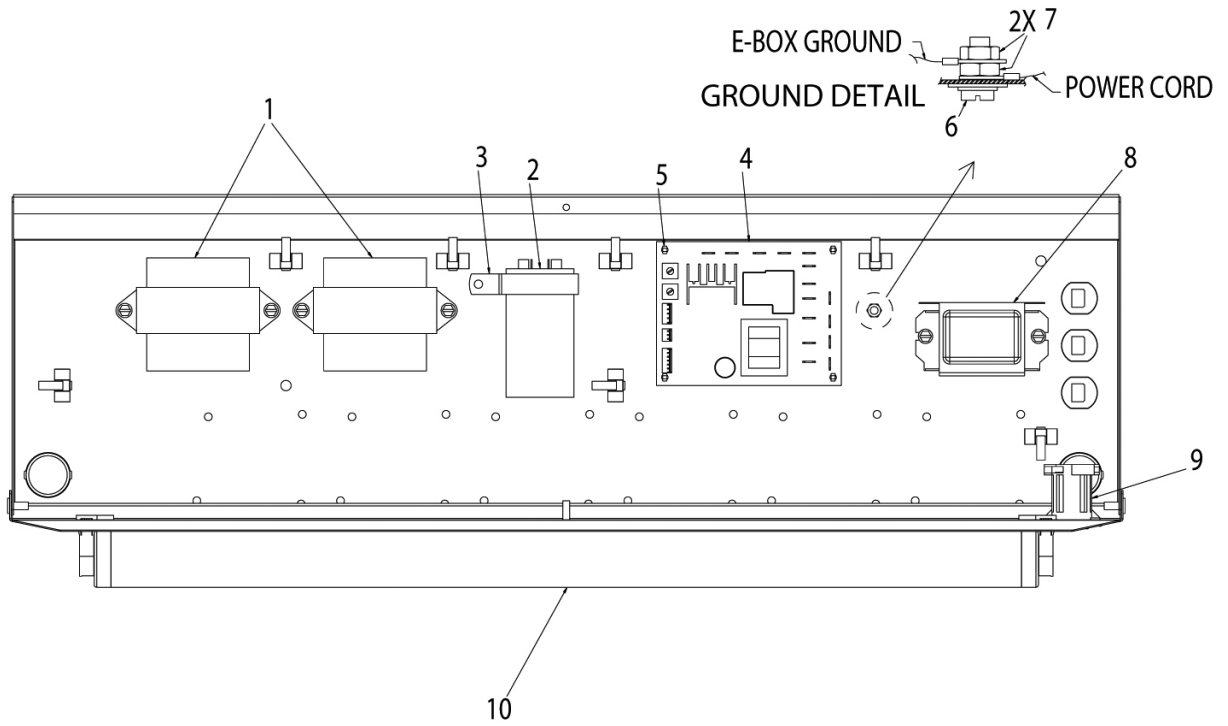


Figure 2.

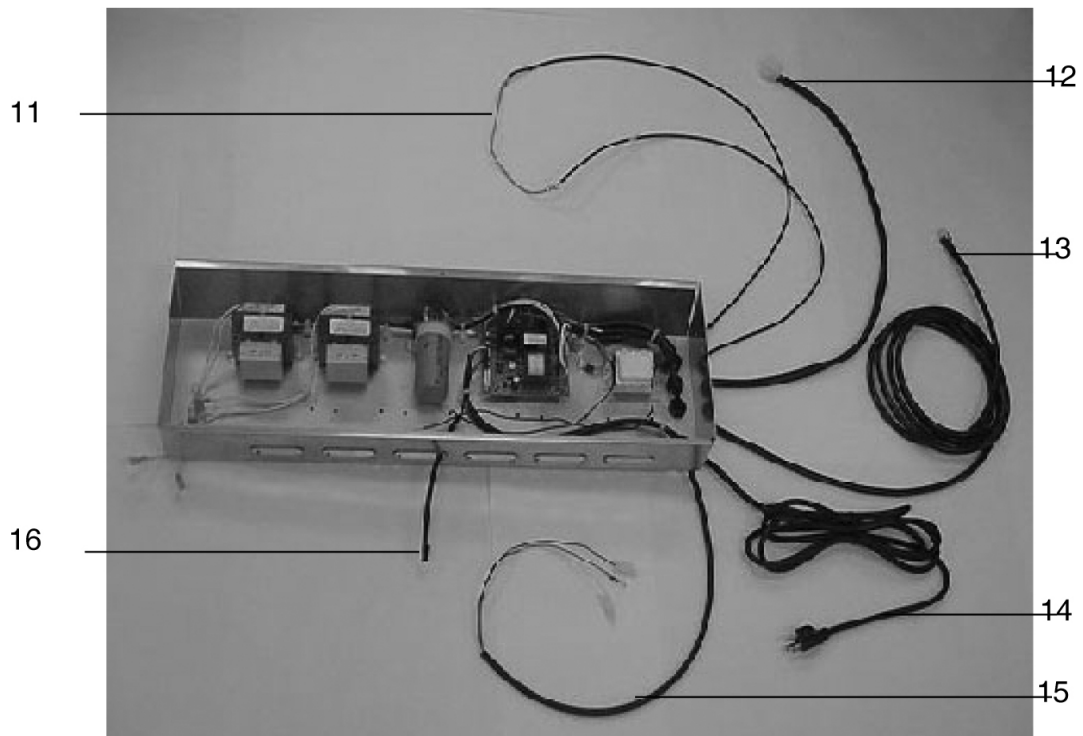


Figure 3.

Item No.	Part No.	Name
1	620710707	Transformer 115 Volt
	32829R	Transformer 220/240 Volt.
2	560002379	Capacitor 115 Volt. Unit
	620314324	Capacitor Run Agitator Motor IDC 230VAC
3	620717212	Capacitor Mount
4	620314825	Main Electrical Board 115 Volt. Unit
	620716715	Main Electrical Board 220/240 Volt. Unit
5	325925	Electrical Board Support
6	70120	Machine Screw,#10-32, Ground
7	70015	HEX Nut 10-32 KEPS
8	31621	Ballast 115 Volt. Unit
	33662	Ballast 220/240 Volt. Unit
9	31620	Starter 115 Volt. unit
	620054076	Starter 220/240 Volt. Unit
10	620064030-001	Light Bar 24 Inch
11	30794	Agitator Motor Heater 115 Volts. Unit
	32826	Agitator Motor Heater 220/240 Volt. Unit
12	620316445	Agitator Motor Harness
13	620316456	Water Pump and Motor Harness
14	30995	Power Cord
15	620316455	Liquid Level Control Probe Har- ness
16	620316457	Ice Chute Position Sensor Har- ness

ELECTRICAL BOX ASSEMBLY DETAIL- 220/240V LED LIGHTING

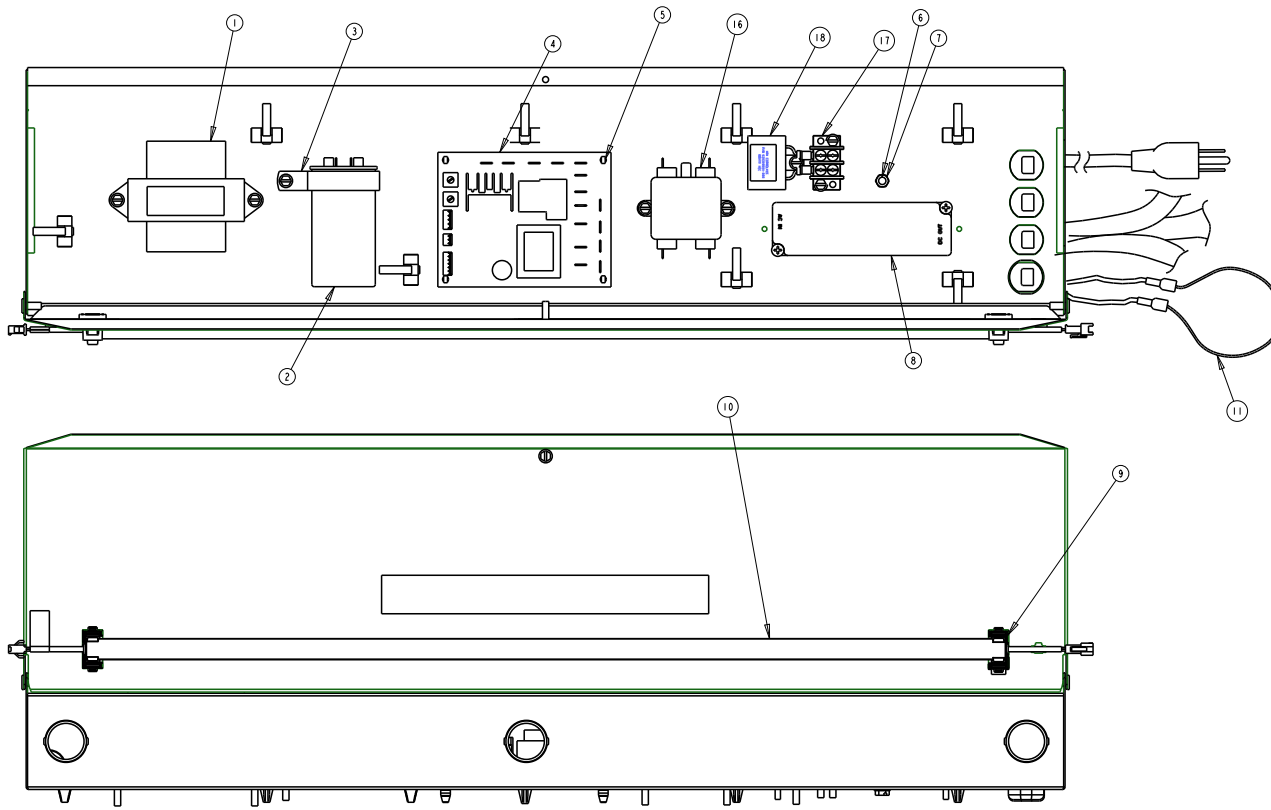


Figure 4.

Item No.	Part No.	Name
1	32829R	Transformer 220/240 Volt
2	620314324	Capacitor Run Agitator 220/240 Volt
3	620717212	Compacitor Mount
4	620716715	Main Electrical Board 220/240 Volt
5	325925	Electrical Board Support
6	70120	Machine Screw, #10-32 Ground
7	70015	Hex Nut #10-32 Keps
8	620057649-018	Power Supply 24vdc 20w Led Asy
9	620064161	Clip Retaining Led Light Bar
10	620064030-001	Light Tube 24" 10w 24vdc

Item No.	Part No.	Name
11	32826	Agitator Motor Heater 220/240 Volt
12	620323735	Harness Agitator Motor
13	620323737	Harness Carbonator Probe
14	620316456	Harness Pump And Motor. Asy
15	620316457	Harness Agitator Switch
16	620307301	Filter Rfi Power Line Ce
17	32244	Terminal Strip
18	620304601	Varistor Assembly

ICE DISPENSING ASSEMBLY DETAIL

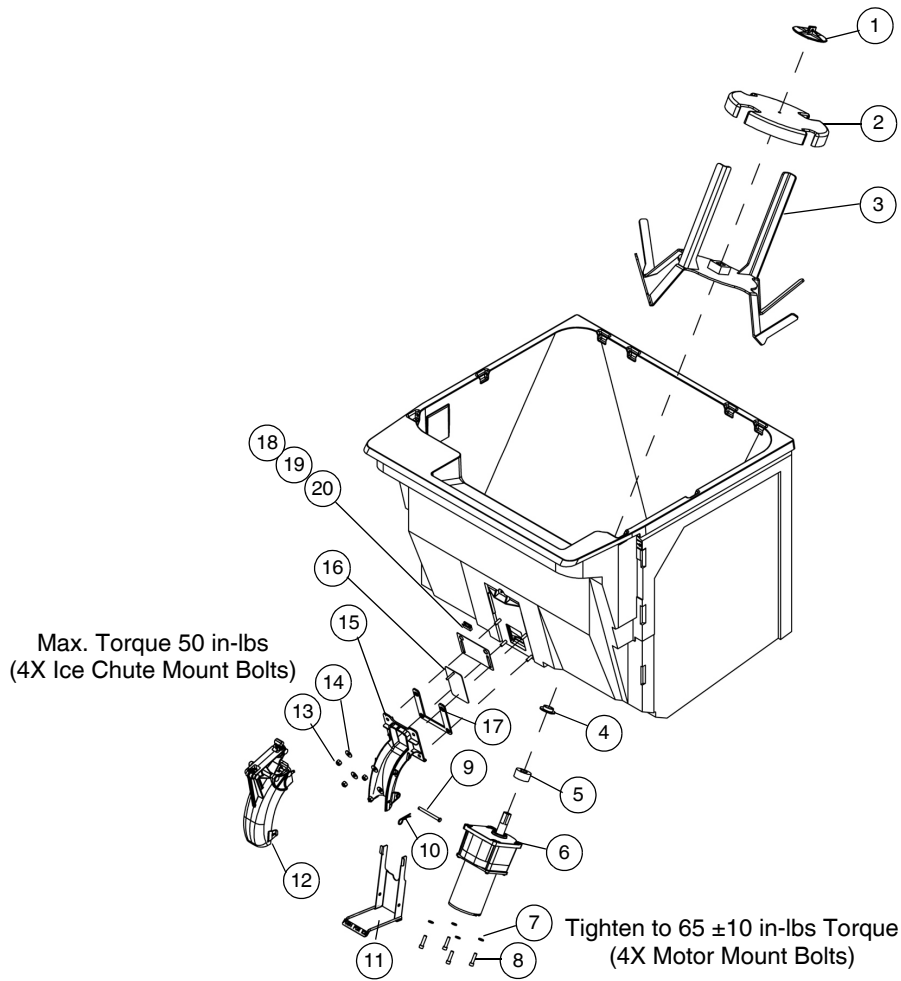


Figure 5.

Item No.	Part No.	Name
1	15087	Agitator Retainer
2	620042770	Agitator Disk
3a	620042766	Agitator
3b	620042723	Agitator (opt. w/no disk reqd.)
4	620711105	Gear Box Shaft Seal
5	52876	Gear Box Shaft Gasket
6	620314923	Service Motor 115 Volt. (Without Gear Box)
	620314913	Motor 115 Volt.
	620717110	Motor 220/240 Unit
7	186294000	Lock Washer .262" ID X .489" OD X .062" Thick, SS
8	620720590	Self-Locking Socket Head Cap Screw, 1/4-20, 1" Long, SS
9	620051502	Clevis Pin, .250" Dia X 2.75" Long, SS
10	620709432	Hairpin Cotter, SS

Item No.	Part No.	Name
11	620047111	Ice Chute Push Lever
	620709346	Lever Ice Chute Bracket Ngf
	620709353	Lever Ice Chute Asy Wireform Ngf
	620055808	Lever Ice Push Plate IDC/FF
12	620518523	Upper Ice Chute Assembly
13	620709132	Hex Nut, 1/4-20 Nylock, SS
14	70066	Flat Washer, .265" ID X .750" OD X .055" Thick, SS
15	620518513	Lower Ice Chute
16	620048706	Ice Gate
17	620710113	Ice Gate Gasket
18	620046504	Ice Gate Restrictor Plate
19	0704105	Machine Screw,#08-32 Truss Phillips Head, 1/2" Long, SS
20	V25248	Flat Washer, #10 SS
21	620314527	Ice Chute Position Sensor
22	90432	Heater Caution Label

BEVERAGE PANEL ASSEMBLY DETAIL (AFTER SERIAL NO. 62C0912JD002 SEE PAGE 7 FOR TOTALFLEX 1 PARTS)

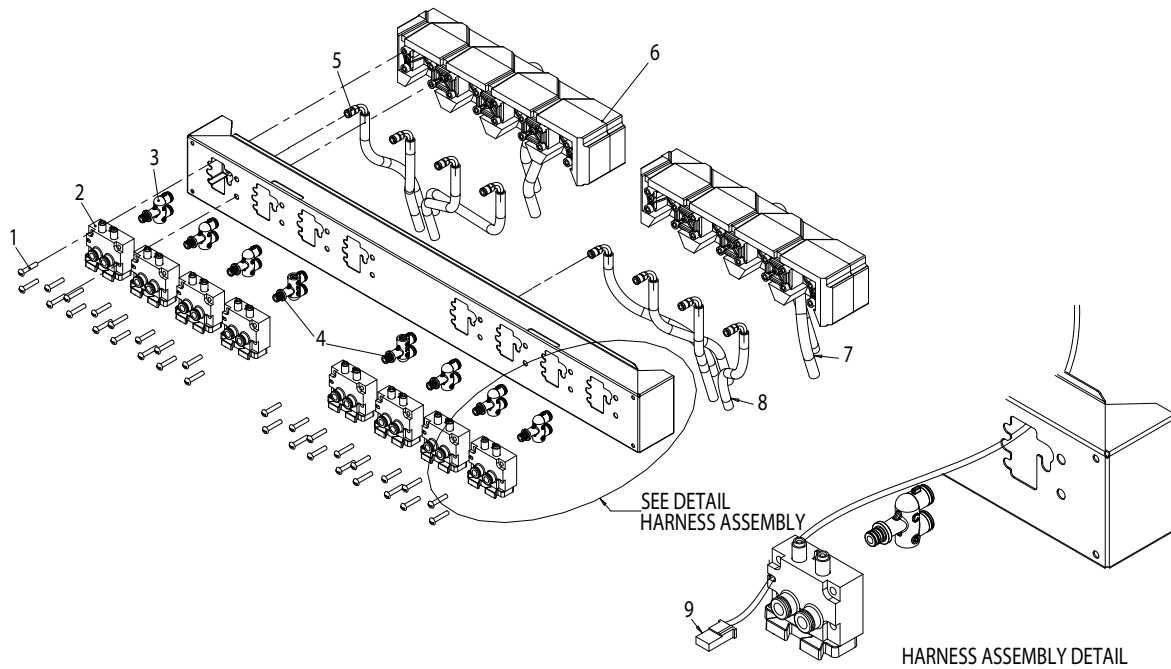


Figure 6.

Item No.	Part No.	Name
1	70692	Machine Screw, #10-32 X 1" Long Round Phillips Head, Stainless Steel
2	1919	UF1 Valve Back Block Assembly
3	620718989	Y-Fitting, Carbonated Water
4	620718990	Y-Fitting, Non-carbonated Water
5	620709068	Elbow Dole Fitting, 1/4 Barb with O-ring

Item No.	Part No.	Name
6	620407772	Totalflex Manifold Assembly 4 Valve, One Side, (5 Valve 620407770)
7	620607436	Polyethylene Tubing,.380" ID X.593" OD: Supplied in 12' Lengths
8	50299	Polyethylene Tubing,.265" ID X.465" OD: Supplied in 12' Lengths
9	31827	Valve Power Harness

BEVERAGE DISPENSING AND BEVERAGE PANEL ASSEMBLY DETAIL

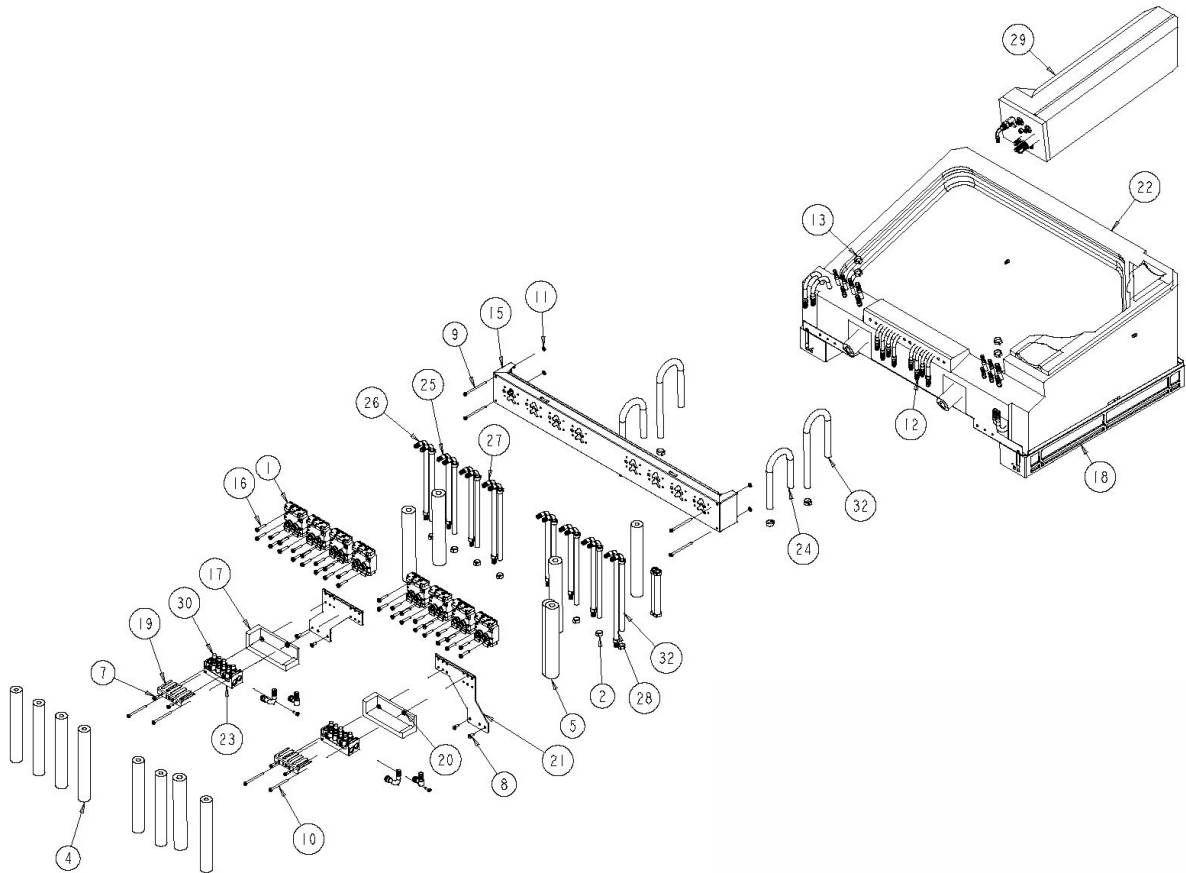


Figure 7.

Item No.	Part No.	Name
1	1919	Mounting Block Assembly
2	40502	Clamp Oetr 13.3 STPLS #13
3	50126	Insulation Prestite 1/8X2-1/2
4	50163	Armaflex 3/8 ID X 3/8 Wall
5	50249	Tubing Insul. 1/2 ID X 3/8 Wall
6	50326	Insulation Tape 1/8" X 2" X 30'
7	70204	Screw Sm 08 TA TRPH 16 SS
8	70307	Rivet Pop 187D 188-250
9	70555	Screw MA 08-32 TRPH 84 SS
10	71006	Srew MA 08-32 TRPH 72 SS
11	71010	Washer - Captivating #8
12	99250	Cap
13	309853000	Clamp Oetr 618 Open STPLS #15.7
14	321471000	Lube Dow 111 5.3 oz. Tube
15	620042856	Panel Bev.8 Valve IDC 2XX
	620042780	Panel Bev.10 Valve IDC 2XX
	620047464	Panel Bev. 8 Valve NGF 2XX
	620056091	Panel Bev. 10 Valve NGF 2XX
16	620700602	Screw TF SM 10-16 RDPH 32 SS

Item No.	Part No.	Name
17	620711962	Insulation TFI Manifold
18	620045786	Base Assy ED2XX Jordan
19	620046382	Retainer TFI FITGS
20	620046798	Bushing Hinge Nylon
21	620053839	Bracket Manifold Mtg
22	620407060	Foamed 19 X 28 8FL C-PLT Assy.
23	620407728	Manifold Total Flex, 5 Pos
24	620407917	Water Line Assy, U-Shape 3/8 I.D.
25	620407919	Water Line Assy, 1/4 I.D.
26	620407920	Water Line Assy, 1/4 I.D.
27	620407921	Water Line Assy, 1/4 I.D.
28	620407923	Water Line Assy, 1/4 I.D.
29	620518322	Tank Carb Assy Jordan
30	620519005	Plug Manifold
31	620607436	Tubing Polyethylene .380 X .593
32	620611961	Line Assembly Water
33	620719370	Tube Prod. Syrup JRD

CARBONATOR TANK ASSEMBLY DETAIL

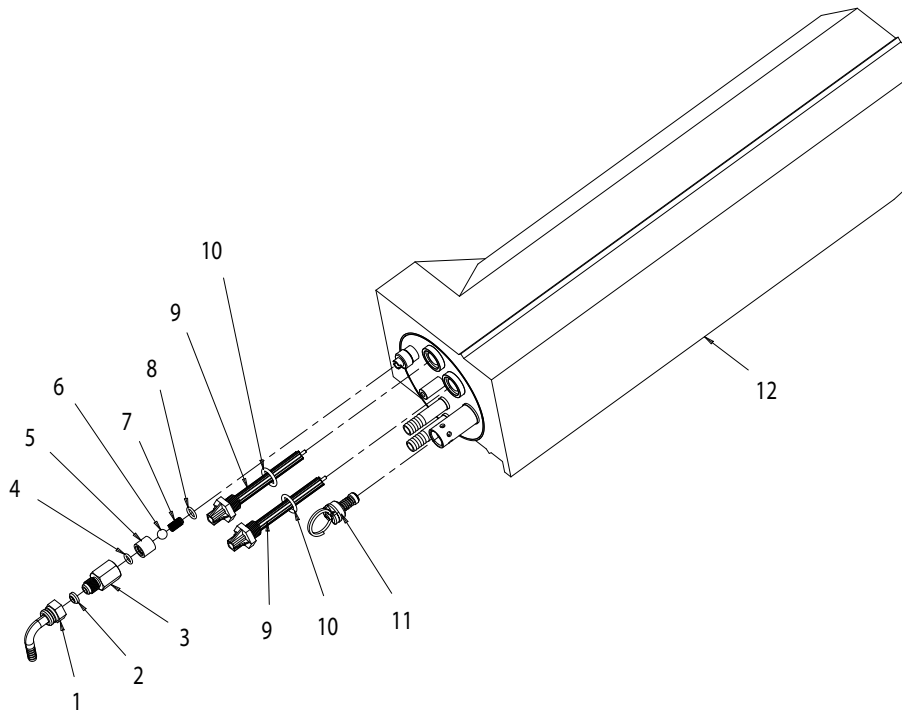


Figure 8.

Item No.	Part No.	Name
1	77040100	L-Swivel Fitting 7/16"-20 (1/4" FFL) FL X 1/4" Barb, SS
2	178025100	Male Gasket Flare Fitting
3	77401400	Check Valve Fitting
4	398033002	O-Ring .239" ID .070" CS 70 DU BU-N
5	64686	Check Valve, SS
6	64560	Check Valve Ball, .3125" SS
7	64678	Spring

Item No.	Part No.	Name
8	31525012	O-Ring .301" ID .070" CS 60 DU BU-N
9	620607108	Liquid Level Control Probe: Must be purchased together with item 10 (O-ring).
10	31525007	O-Ring .488" ID 103 CS 60 DU BU-N
11	630001122	Valve Relief Asy Black
12	620518314	Carb Tank Complete Assembly

CARBONATOR TANK ASSEMBLY DETAIL

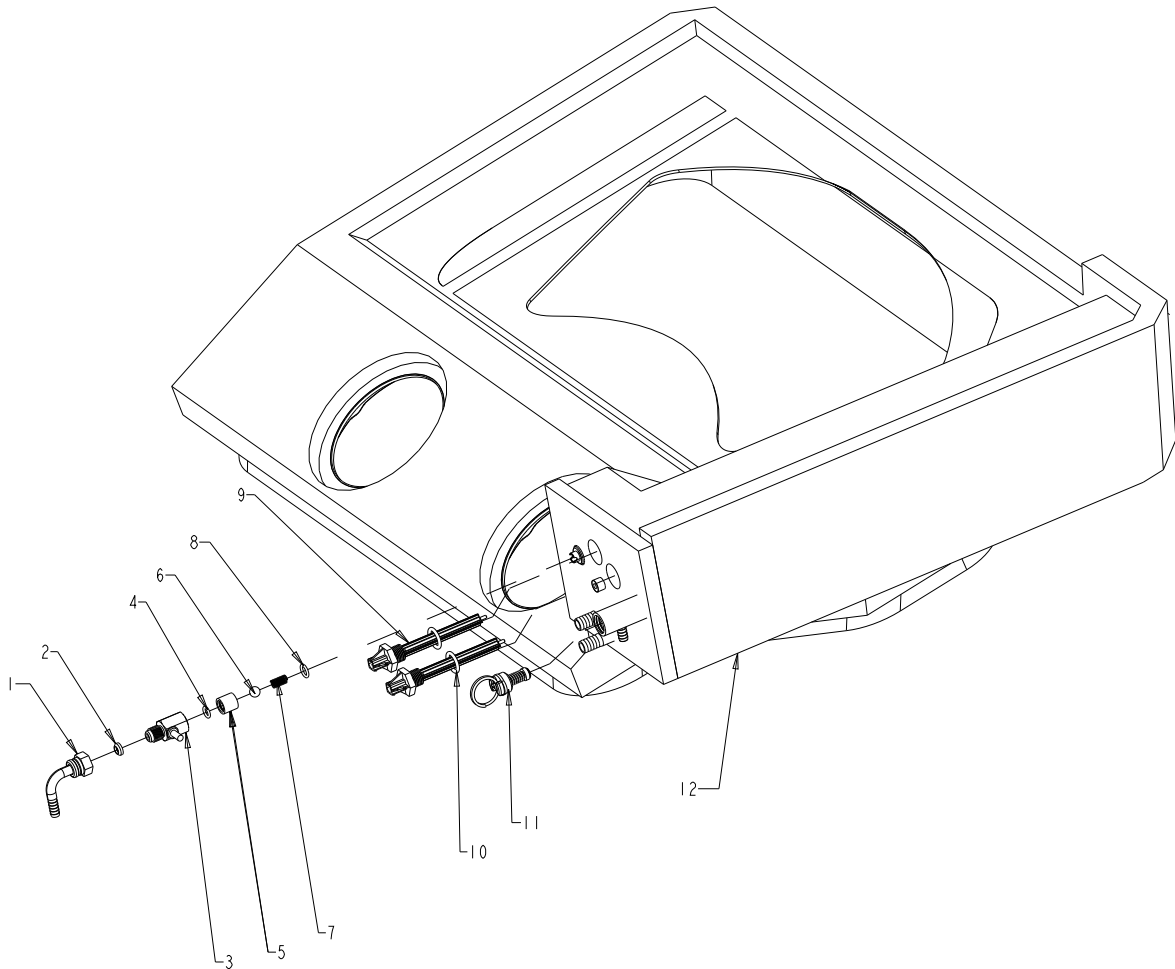


Figure 9.

Item No.	Part No.	Name
1	77040100	L-Swivel Fitting 7/16"-20 (1/4" FFL) FL X 1/4" Barb, SS
2	178025100	Male Gasket Flare Fitting
3	64677001	Check Valve Fitting
4	398033002	O-Ring .239" ID .070" CS 70 DU BU-N
5	64686	Check Valve Sleeve SS
6	64560	Check Valve Ball, .3125" SS
7	64678	Spring

Item No.	Part No.	Name
8	31525012	O-Ring .301" ID .070" CS 60 DU BU-N
9	620607108	Liquid Level Control Probe: Must be Purchased w/ Item 10 (O-Ring)
10	31525007	O-Ring .488" ID 103 CS 60 DU BU-N
11	630001122	Valve Relief Assy Black
12	620043354	Cold Plate Cover Assy. w/ Carb Tank

PUMP AND MOTOR ASSEMBLY DETAIL

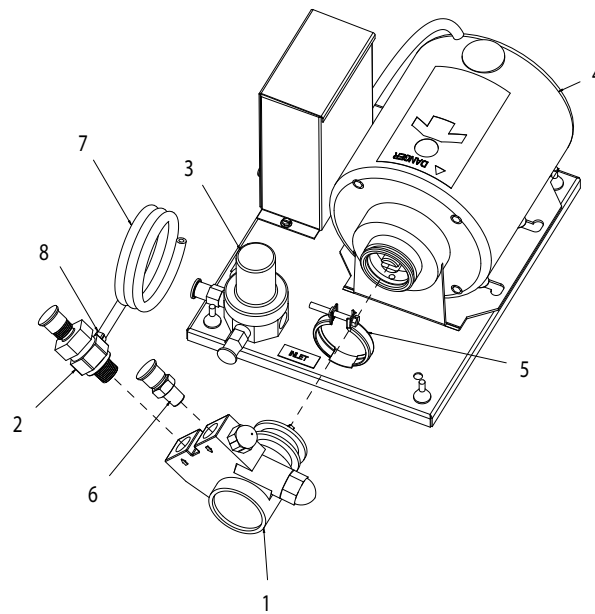


Figure 10.

Item No.	Part No.	Name
1	60170	Pump, 125GPH
2	620608773	Check Valve 3/8MPT 5/8-18
3	620709802	Pressure Regulator 75 PSIG
4	60030058	Motor Pump 115Volt
	71860673	Motor Pump 220/240 Volt

Item No.	Part No.	Name
5	187483000	Clamp
6	111337000	Straight Fitting 3/8 MPT X 3/8 MF, Brass
7	174004000	Polyethylene Tubing .156" ID X .312" OD
8	311527000	Oetiker Clamp #8.7

PROGATE CLADDING COMPONENTS AND OVERALL ASSEMBLY DETAIL

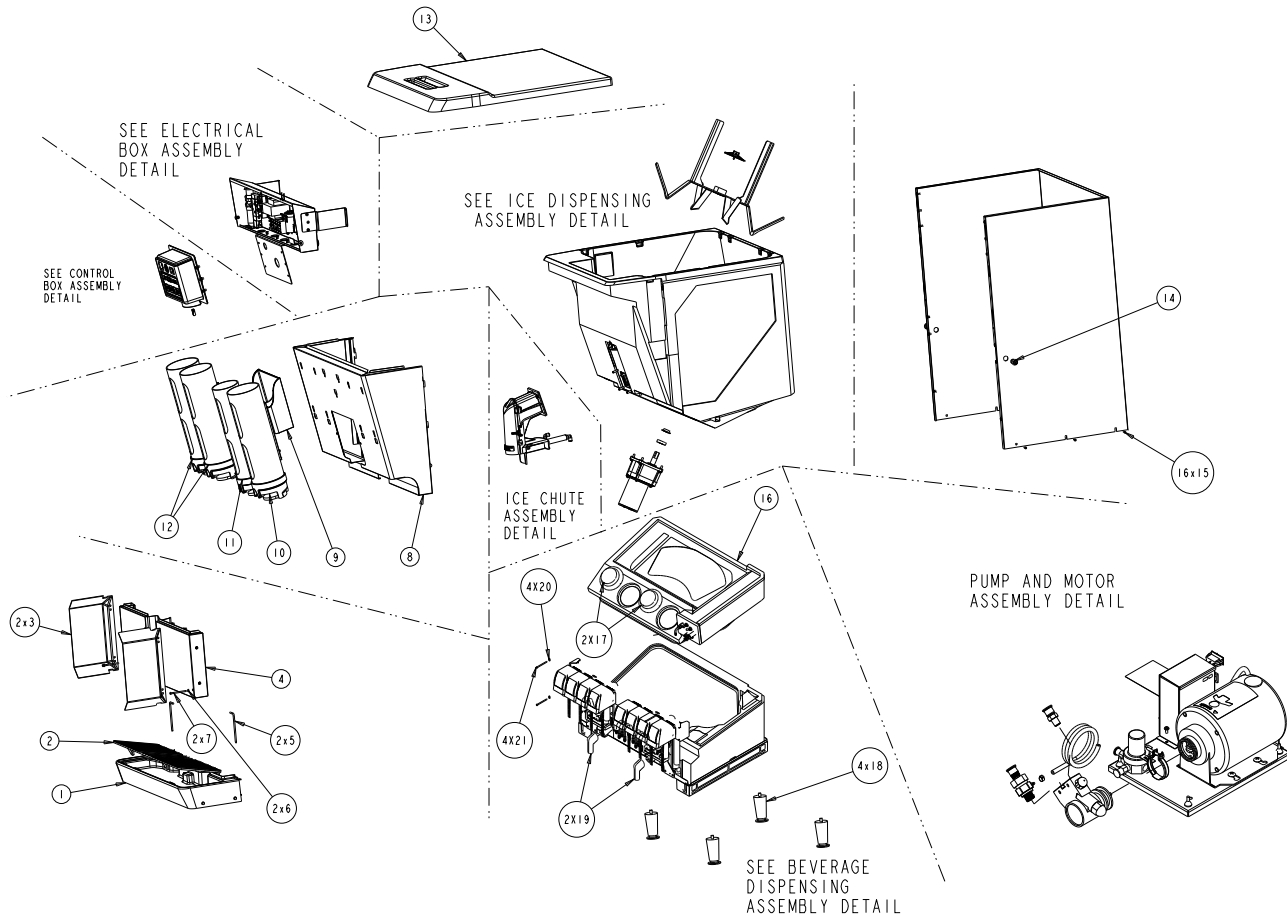


Figure 11.

Item No.	Part No.	Name
1	620046285	Drip Tray
2	620708537	Cup Rest
3	52084	Guard Splash R/L
4	620052335	Panel Assembly
5	10145	Drip Tray Mounting Pin
6	71010	Captivating Washer
7	70555	Screw, Stainless
8	620053003	Cover, Weldment
9	620046723	Holder, Straw IDC/Yum Crew Serve
10	620517069	Lid Holder Assy XLRG
11	620517068	Lid Holder Assy SML & MED
12	620517067	Lid Holder Assy Large
13	620517034	Lid IDC255 Black

Item No.	Part No.	Name
14	32977	Keyswitch Assy. (Keys Included): Replacement Keys Only (70739)
15	620705801	Phillips Truss Head Screw, #8-18 X 1/ 2" Long, Stainless Steel
16	620050537	Foam Cold Plate Cover
17	620516645	Cold Plate Access Cover
18	70970	4" Adj. Leg, 3/8"-16, Black Plastic w/ Nickel Plated Foot
19	53011	Rubber Elbow Fitting for Cold Plate Drain
20	71010	Retaining Washer
21	70555	Machine Screw, #8-32 X 2-5/8" Long, SS

Cornelius Inc.
www.cornelius.com