



IDC215

ICE DRINK DISPENSER



FEATURES

Quality - Delivers bottle-quality drinks every time with built-in cold carbonator

Merchandising - Creates high-impact marketing messages delivered with illuminated merchandiser

Easy to Update - Quickly modifies marketing messages with simplified front graphic change out

Smart - Automatically separates ice dispensed into cups from ice used to cool cold plate

Reduces Mess - Reduces ice spillage with increased drip tray capacity

Versatile - Dispenses different ice types thanks to contour of hopper and beverage dispenser geometry

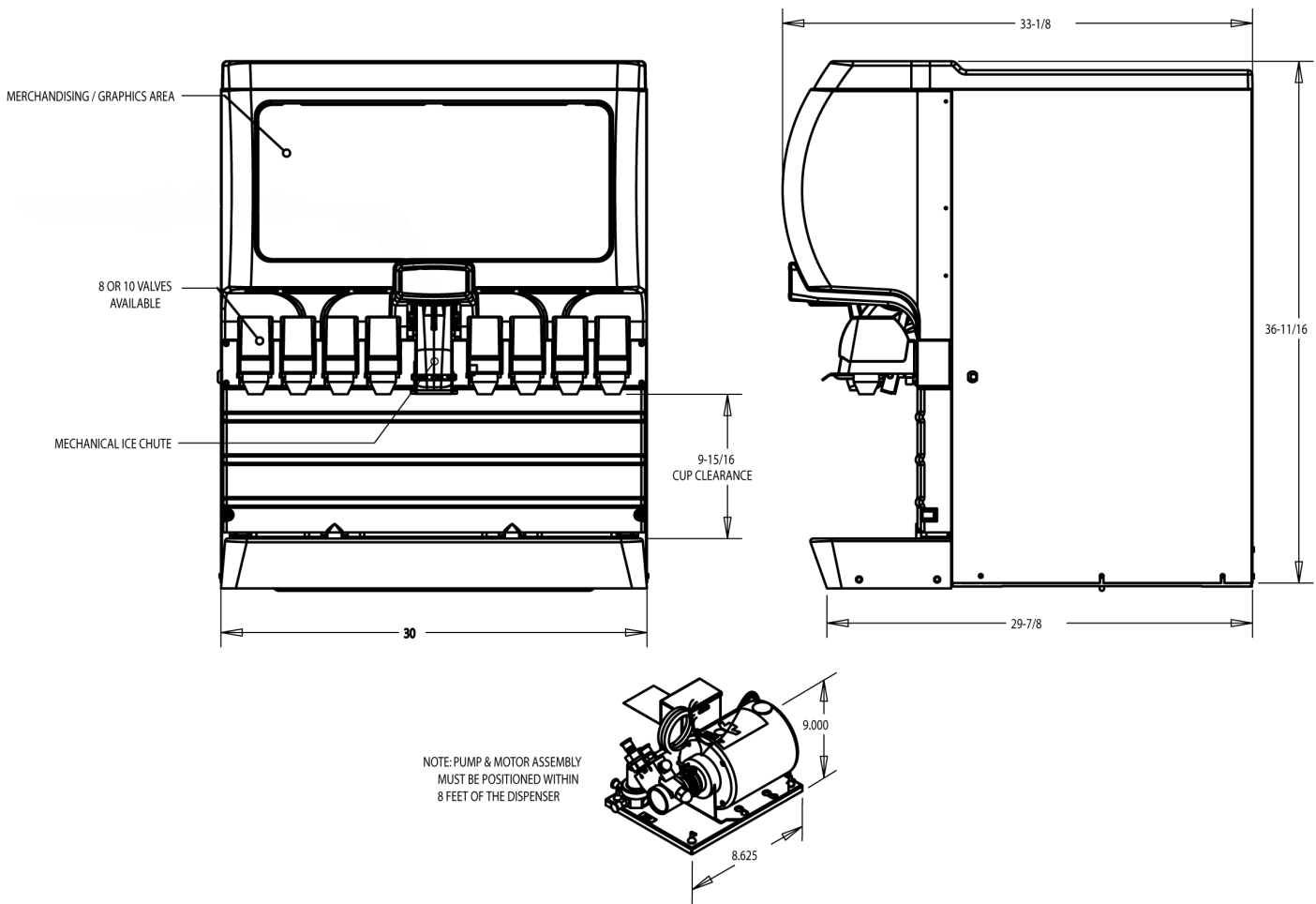
Easy to Clean - Hopper is easy to clean and has the ability to dispense various ice types

Flexible - Readily accepts top-mounted ice makers with manual ice-fill capability

Increased serviceability -

- Requires only one electrical outlet
- Easy front access to carbonator tank
- Simple motor removal



TotalFlex™ - easily changes from carbonated to non-carbonated



PART NUMBER	DESCRIPTION
621065274	IDC215 with 8 UFB-1™ 2-4 oz Sanitary Lever valves, 115 V / 60 Hz
621065275	IDC215 with 10 UFB-1™ 2-4 oz Sanitary Lever valves, 115 V / 60 Hz

* If top mounting an ice maker, an ice maker adapter kit is required. Order separately.

TECHNICAL SPECIFICATIONS

TYPE OF VALVES	post-mix	STANDARD FEATURES	Timed ice agitation, keyswitch and 4" legs
NUMBER OF VALVES	8 or 10	DRAIN SIZE	0.75" (19.1 mm) pvc (npt) pipe or flexible tubing
BEVERAGE MANIFOLDING	TotalFlex™	ELECTRICAL REQUIREMENTS	115V / 60 Hz / 9.3 Amps or 230 V / 50/60 Hz / 4.7 Amps
CUP CLEARANCE	10"	SHIPPING WEIGHT	350 lb (150 kg)
GRAPHIC DIMENSIONS	(Template Available)	AGENCY LISTINGS	  
ICE STORAGE CAPACITY	215 lb (115.7 kg)		City of Los Angeles
CONNECTIONS	Water: 0.375" (9.5 mm) Syrup: 0.375" (9.5 mm)		

