

nitropro™ BIB

**BAG IN BOX
TECHNOLOGY**

**PERFECT FOR
COLD BREW &
NITRO-INFUSED
COLD BREW**



FEATURES

Our 80+ years of expertise makes NitroPro™ the most intelligent, innovative and reliable cold brew beverage dispenser in the world.

OPTIMIZED DESIGN — Efficient front breathing design allows the unit to be installed under a counter top or stand-alone. A simple retrofit can be done in the field in less than 30 minutes!

DUAL-TAP DESIGN — Gives a craft experience with ease in multiple beverage formats. Chilled nitro or still cold brew are both on tap

FLEXIBLE PRODUCT DELIVERY SYSTEM — Sell the drinks consumers want today and in the future with product flexibility

SIMPLE SELF-CONTAINED DESIGN — Water, nitrogen, and electrical connections are all that are needed, a drain is optional. The unit automatically chills water for cold beverages.

ROBUST DESIGN AND SOLID-STATE CONTROLS — Minimize downtime with built-in reliability

PATENTED INFUSION — Unique infusion process layers the beverage with an industry-leading, long-lasting cascade.

BAG-IN-BOX TECHNOLOGY — No Mixing, No Shaking, No Filling, Just connect the BIB and go! Utilizes concentrated BIB's of cold brew, 5:1 ratio automatic mixing

ENERGY CONSUMPTION — Best-in-class energy use, considerations from day one for maximum efficiency

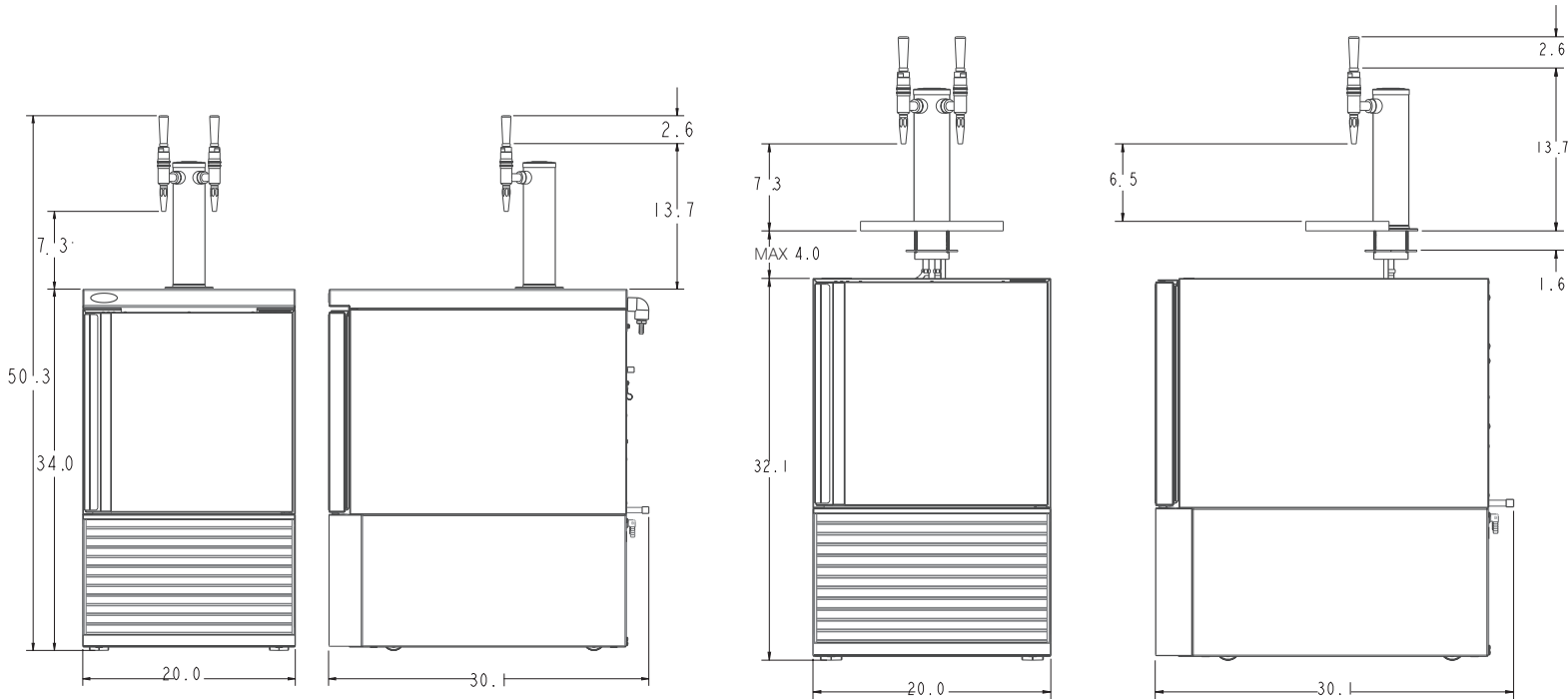
EASY TO CLEAN — NSF Approved cleaning process ensures food safety, once per week

TECHNICIAN DESIGNED — Reduced maintenance and service times, with ease in daily use

APPROVALS — Fully certified



The most trusted name in beverage dispensers



621058723 - Freestanding

621058759 - Under Counter Unit - Installation

SPECIFICATIONS

Item Numbers	621058723 - Freestanding Unit 621058759 - Under Counter Unit
Water Supply Requirements	60 psi dynamic
Food Grade Nitrogen Requirements	80 psi maximum input
Nitrogen Input Connection	1/4" ID Tubing
Water Supply Connection	3/8" ID Tubing
Electrical Ratings	115V/60Hz/5.0 Amps
Required Outlet Qty	1-15 amp outlet for dispenser, 1-15 amp outlet for booster pump
Drain Line	3/8" OD Male Barb or use the included drain tray
Cabinet Capacity	Space for 6- 1 Gallon Bag in Box (BIB)
Shipping Weight	221 lbs. (100.5 kg)
Ambient Operating Temperature	40° F to 100° F (4.4° C to 37.8° C)
Bag in Box Connector	Scholle 1910L

See NitroPro™ in action at www.NitroPro-Cornelius.com or contact a Cornelius specialty beverage representative.

IN THE U.S.A.

p 800.238.3600
f 800.258.0255

OUTSIDE THE U.S.A.

763.488.8200
sales@cornelius.com



The most trusted name in beverage dispensers