



CONTINUOUS FLOW ICEMAKER

1400 - Series

Owner's Manual

Released Date: April 1, 2019

Publication Number: 548000109

Revision Date: April 1, 2019

Revision: A

Visit the Cornelius web site at <http://ice.cornelius.com> for all your Literature needs.

The products, technical information, and instructions contained in this manual are subject to change without notice. These instructions are not intended to cover all details or variations of the equipment, nor to provide for every possible contingency in the installation, operation or maintenance of this equipment. This manual assumes that the person(s) working on the equipment have been trained and are skilled in working with electrical, plumbing, pneumatic, and mechanical equipment. It is assumed that appropriate safety precautions are taken and that all local safety and construction requirements are being met, in addition to the information contained in this manual.

This Product is warranted only as provided in Cornelius' Commercial Warranty applicable to this Product and is subject to all of the restrictions and limitations contained in the Commercial Warranty.

Cornelius will not be responsible for any repair, replacement or other service required by or loss or damage resulting from any of the following occurrences, including but not limited to, (1) other than normal and proper use and normal service conditions with respect to the Product, (2) improper voltage, (3) inadequate wiring, (4) abuse, (5) accident, (6) alteration, (7) misuse, (8) neglect, (9) unauthorized repair or the failure to utilize suitably qualified and trained persons to perform service and/or repair of the Product, (10) improper cleaning, (11) failure to follow installation, operating, cleaning or maintenance instructions, (12) use of "non-authorized" parts (i.e., parts that are not 100% compatible with the Product) which use voids the entire warranty, (13) Product parts in contact with water or the product dispensed which are adversely impacted by changes in liquid scale or chemical composition.

Contact Information:

To inquire about current revisions of this and other documentation or for assistance with any Cornelius product contact:

www.cornelius.com

800-238-3600

Trademarks and Copyrights:

This document contains proprietary information and it may not be reproduced in any way without permission from Cornelius.

This document contains the original instructions for the unit described.

CORNELIUS INC
101 Regency Drive
Glendale Heights, IL
Tel: + 1 800-238-3600

Printed in U.S.A.



TABLE OF CONTENTS

- Safety Instructions** 1
 - Read and Follow ALL Safety Instructions 1
 - Safety Overview 1
 - Recognition 1
 - Different Types of Alerts 1
 - Safety Tips 1
 - Qualified Service Personnel 1
 - Safety Precautions 2
 - Shipping And Storage 2
 - Power Cord 2
 - Unit Location 2
- General information** 3
 - General Description 3
 - Specification Chart 3
 - WCC1401R Unit Dimensions 4
 - CR1101 Unit Dimensions 4
 - WCC1400 Rack Unit Dimensions 5
- ELECTRICAL** 6
 - WCC1401R Schematic 6
 - CR1101 Schematic 7
 - WCC1400 Rack Schematic 8
 - Refrigeration Schematic For WCC1400Rack System 8
- Installation instruction** 9
 - Remove Ice maker from Carton 9
 - Cabinet Removal 10
 - Icemaker 10
 - Condensing Unit 11
 - Preparation of Installation Site 12
 - Icemaker 12
 - Condensing Unit 12
 - Water Inlet Hook-up 12
 - Drain Connection 12
 - Electrical Supply 12
 - Auger Engagement 13
 - Initial Start Up, Checks and Adjustment Instructions 15
 - For WCC1401-R Only. 15
 - Bin Control 16
 - Gearmotor 16
 - Install Bin control sensor 17
- Cleaning and Sanitizing** 18
 - Icemaker Cleaning and Sanitizing Procedures 18
 - Maintenance 18
 - Monthly 18
 - Quarterly 18
 - Semi-Annually 19



Water Level Control	20
How Water Level Control Works	20
Purpose	20
To Replace Water Level Control	20
To Replace Water Level Safety Switch	20
Refrigeration System	21
Refrigeration System Adjustments	21
Expansion Valve	21
Adjustment and Troubleshooting	21
Motor Check	22
Start Relay	23
To Replace Gearmotor Assembly	23
Auger and Extruding Head Removal	24
Auger Engagement	24
Installation and Shaft Seal Replacement	26
Upper Nut and Bearing Assembly	26
To Replace Bearing	26
Electrical Checkout	27
Overload Check	27
Compressor Check	27
Capacitor Check	28
Safety Controls	28
GUIDE TO GOOD ICE	29

SAFETY INSTRUCTIONS

READ AND FOLLOW ALL SAFETY INSTRUCTIONS

Safety Overview

- Read and follow **ALL SAFETY INSTRUCTIONS** in this manual and any warning/caution labels on the unit (decals, labels or laminated cards).
- Read and understand ALL applicable OSHA (Occupational Safety and Health Administration) safety regulations before operating this unit.

Recognition

Recognize Safety Alerts



This is the safety alert symbol. When you see it in this manual or on the unit, be alert to the potential of personal injury or damage to the unit.

DIFFERENT TYPES OF ALERTS

DANGER:

Indicates an immediate hazardous situation which if not avoided **WILL** result in serious injury, death or equipment damage.

WARNING:

Indicates a potentially hazardous situation which, if not avoided, **COULD** result in serious injury, death, or equipment damage.

CAUTION:

Indicates a potentially hazardous situation which, if not avoided, **MAY** result in minor or moderate injury or equipment damage.

SAFETY TIPS

- Carefully read and follow all safety messages in this manual and safety signs on the unit.
- Keep safety signs in good condition and replace missing or damaged items.
- Learn how to operate the unit and how to use the controls properly.
- **Do not** let anyone operate the unit without proper training. This appliance is **not** intended for use by very young children or infirm persons without supervision. Young children should be supervised to ensure that they do not play with the appliance.
- Keep your unit in proper working condition and do not allow unauthorized modifications to the unit.

QUALIFIED SERVICE PERSONNEL

WARNING:

Only trained and certified electrical, plumbing and refrigeration technicians should service this unit. **ALL WIRING AND PLUMBING MUST CONFORM TO NATIONAL AND LOCAL CODES. FAILURE TO COMPLY COULD RESULT IN SERIOUS INJURY, DEATH OR EQUIPMENT DAMAGE.**

SAFETY PRECAUTIONS

This unit has been specifically designed to provide protection against personal injury. To ensure continued protection observe the following:

WARNING:

Disconnect power to the unit before servicing following all lock out/tag out procedures established by the user. Verify all of the power is off to the unit before any work is performed. **Failure to disconnect the power could result in serious injury, death or equipment damage.**

CAUTION:

Always be sure to keep area around the unit clean and free of clutter. **Failure to keep this area clean may result in injury or equipment damage.**

SHIPPING AND STORAGE

CAUTION:

Before shipping, storing, or relocating the unit, the unit must be sanitized and all sanitizing solution must be drained from the system. A freezing ambient environment will cause residual sanitizing solution or water remaining inside the unit to freeze resulting in damage to internal components.

POWER CORD

CAUTION:

If the power cord is damaged, it must be replaced by a special cord available from the manufacturer or its service agent.

UNIT LOCATION

CAUTION:

Appliance is not suitable for installation in an area where a water jet could be used.

CAUTION:

The appliance must be placed in a horizontal position.

CAUTION:

This unit is not designed for use in outdoor locations. "Except where otherwise noted".



GENERAL INFORMATION

GENERAL DESCRIPTION

This section gives the Unit description, theory of operation, and design data for continuous flow icemaker 1400-series.

SPECIFICATION CHART

Models	Condensing Unit	VAC	HZ	PH	Number of Wires	Comp. RLA	Fan Amps	GRMTR Amps	Refrigerant		Circuit Fuse
									Oz.	Type	
WCC1401R	Ice Maker	230	60	1	2	12.2	N/A	2.0 (2)	180	R404A	20
WCC1400 RACK	Ice Maker	115	60	1	2	N/A	N/A	2.0 (2)	N/A	R404A	20
CR1101	Cond. Unit	230	60	1	2	N/A	1.35	N/A	N/A	R404A	20

WCC1401R UNIT DIMENSIONS

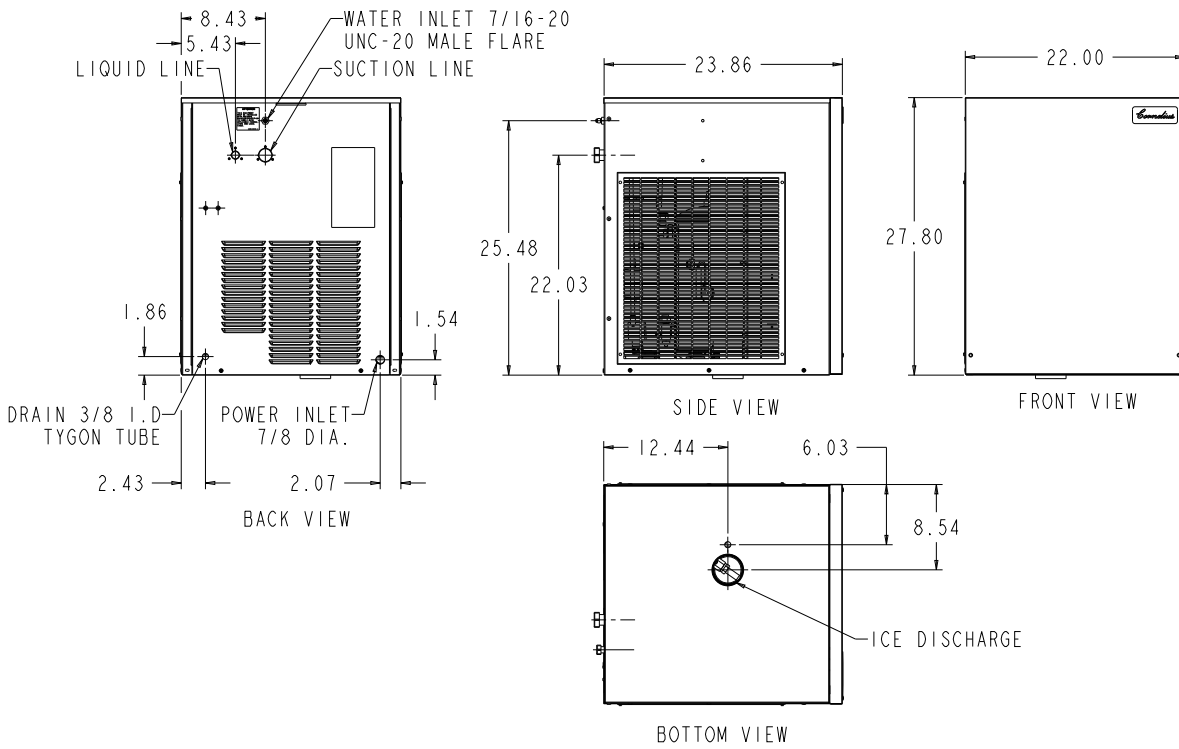


Figure 1

CR1101 UNIT DIMENSIONS

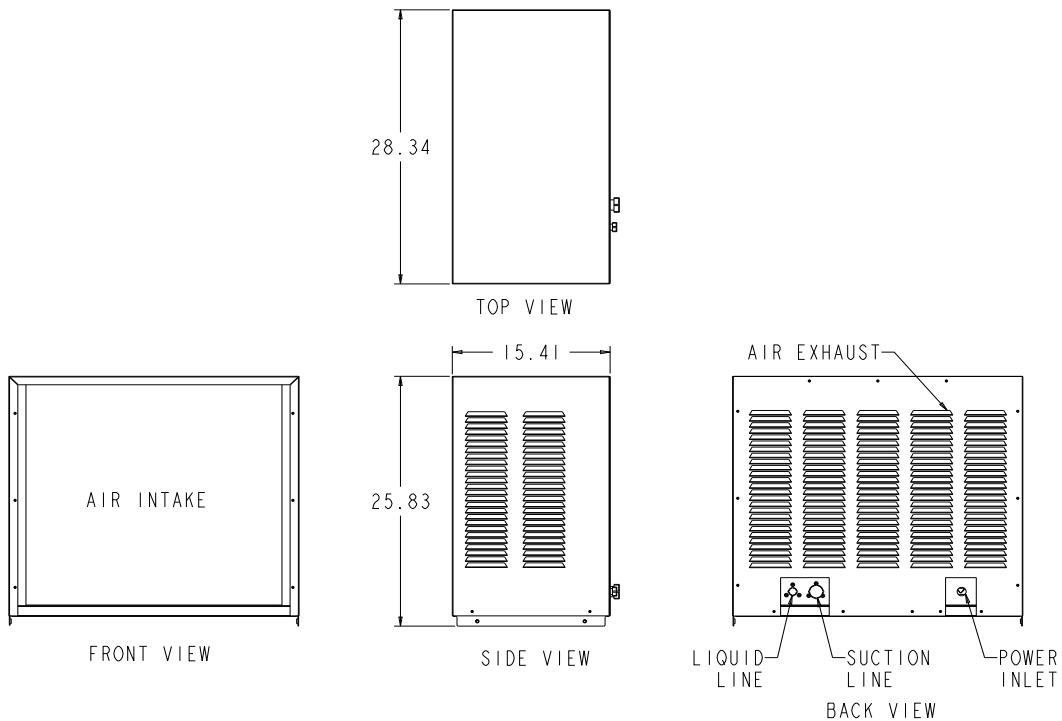


Figure 2

WCC1400 RACK UNIT DIMENSIONS

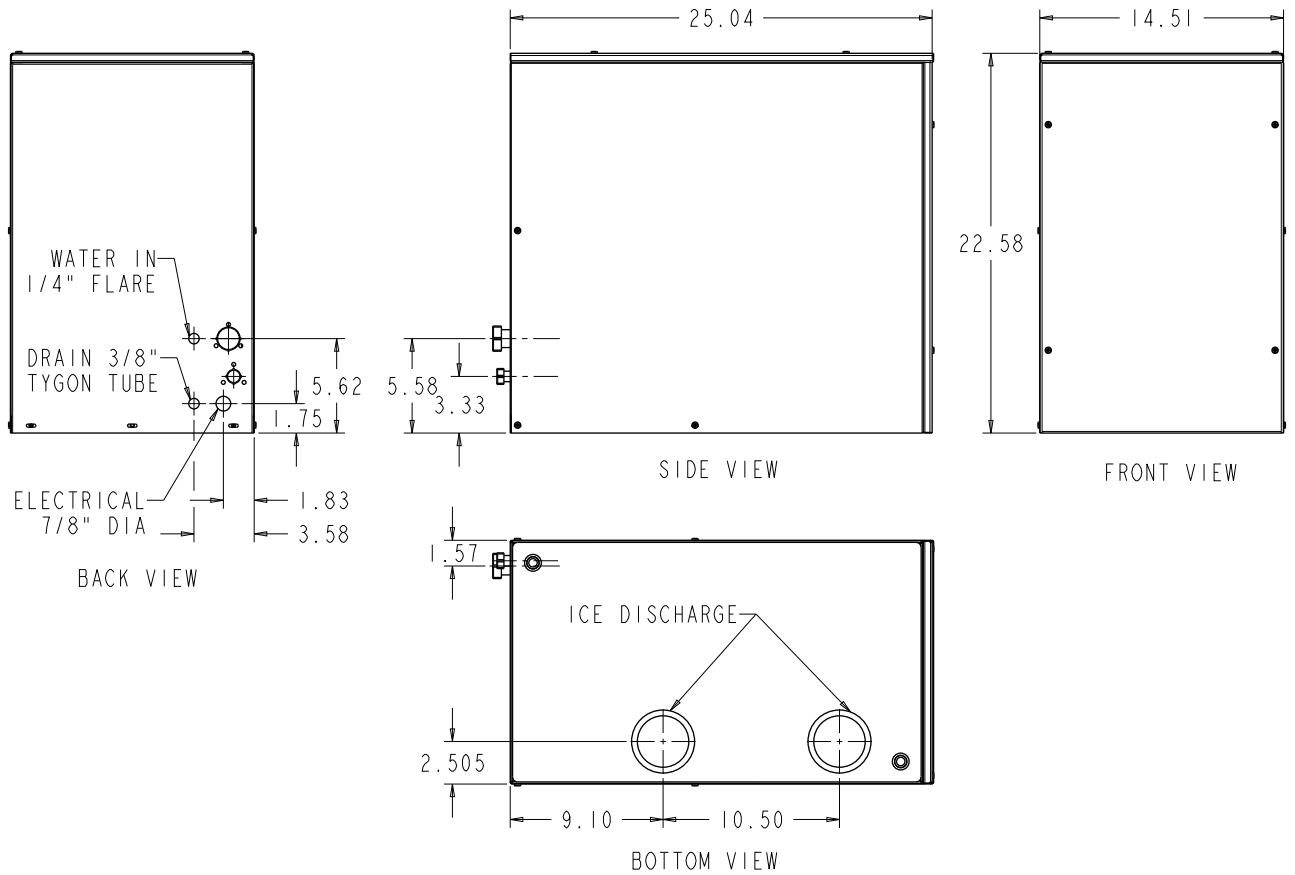


Figure 3

ELECTRICAL

WCC1401R SCHEMATIC

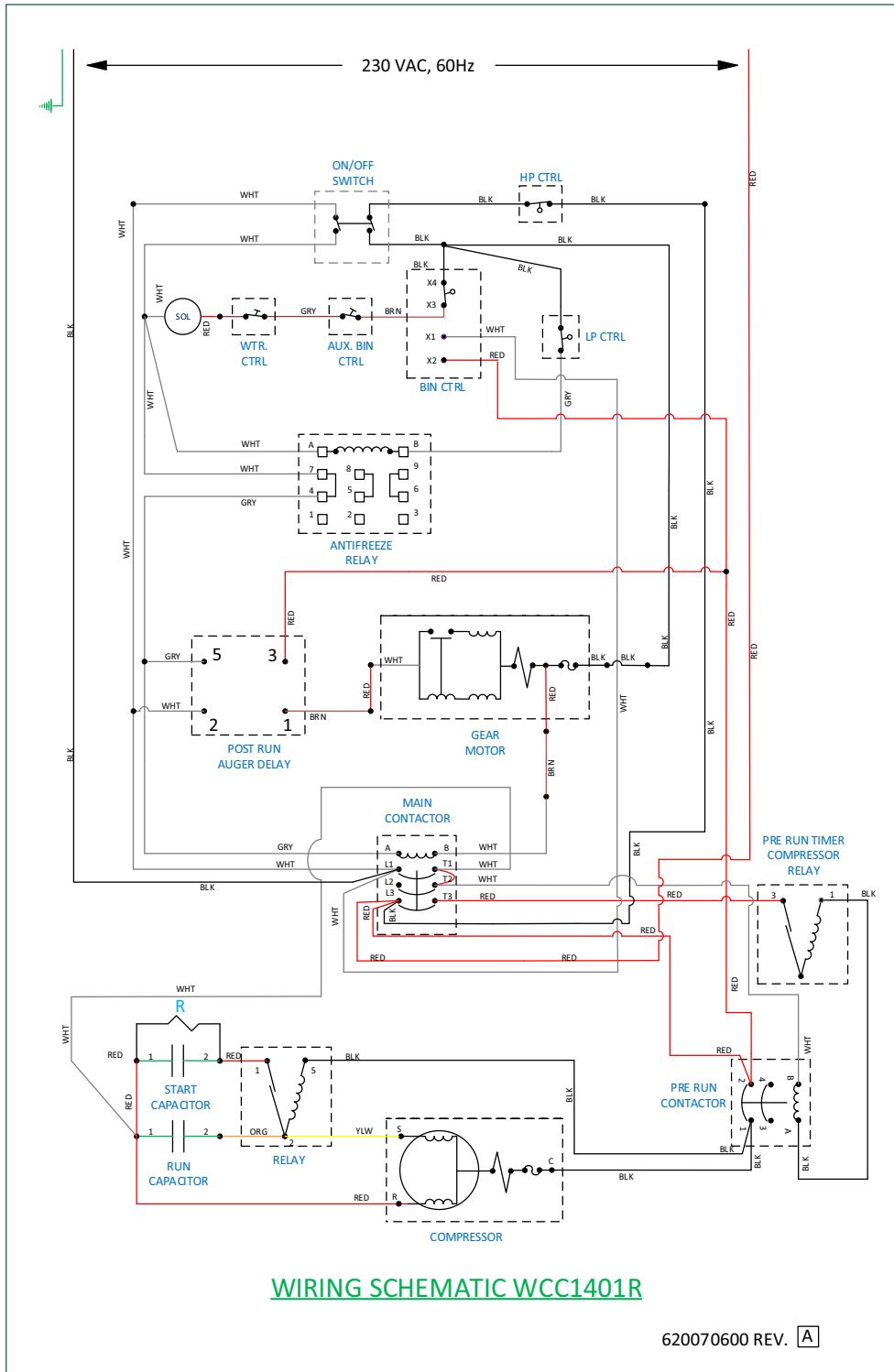


Figure 4

CR1101 SCHEMATIC

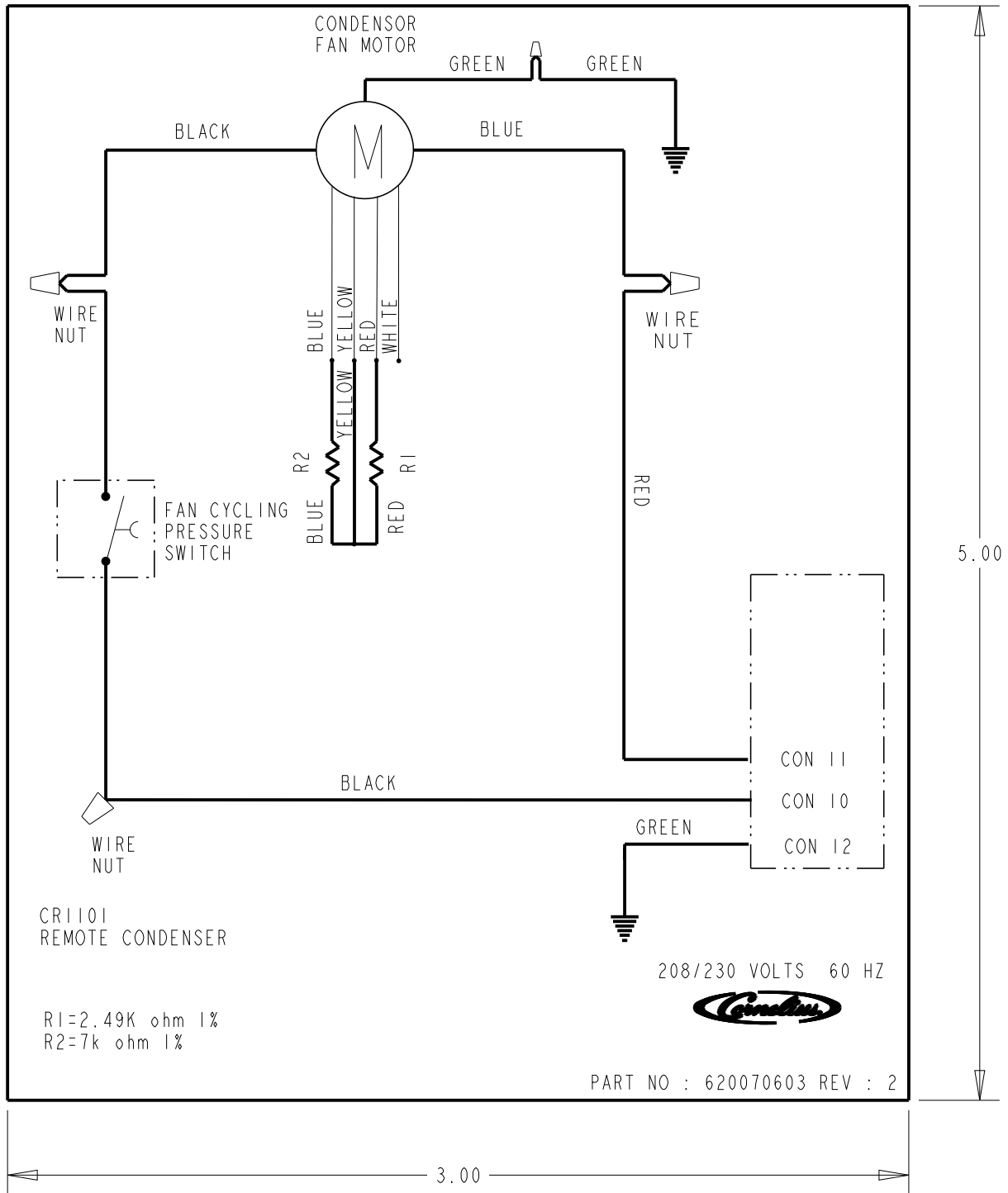


Figure 5

WCC1400 RACK SCHEMATIC

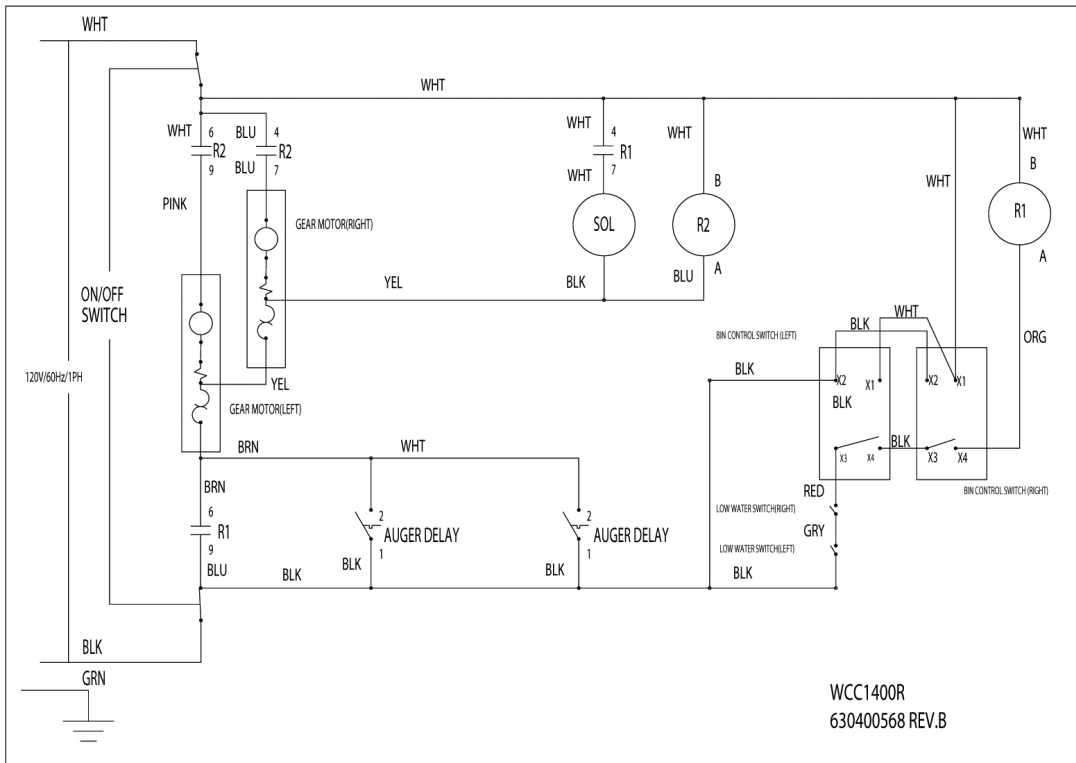


Figure 6

REFRIGERATION SCHEMATIC FOR WCC1400RACK SYSTEM

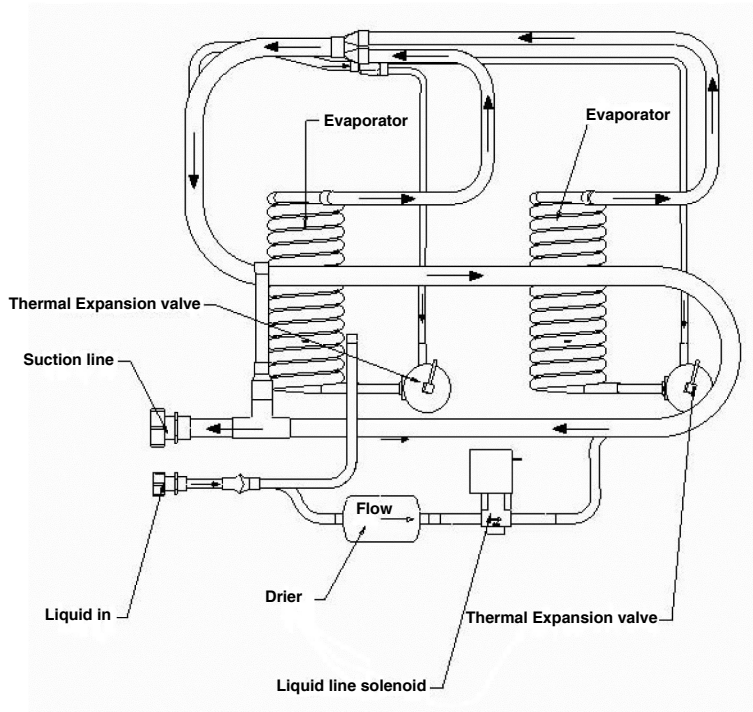


Figure 7

INSTALLATION INSTRUCTION

This manual covers unpacking, inspection, selecting location, installing unit and preparing for operation.

The unit is a split system; it consists of a condensing unit, an icemaker and a line kit.

- The condensing unit is an outdoor component; it contains the condenser and fan motor. It is controlled by a low-pressure switch.
- a) The 1401R Icemaker is an indoor component; it contains one gear motors, one evaporators, one water level control, compressor, receiver and one bin thermostat. The bin thermostats control a liquid line solenoid.
- b) The 1400Rack Icemaker is an indoor component; it contains two gear motors, two evaporators, two water level controls and works with rack refrigeration systems.
- Line Kit: Precharged 3/8" liquid line and 3/4" suction line.

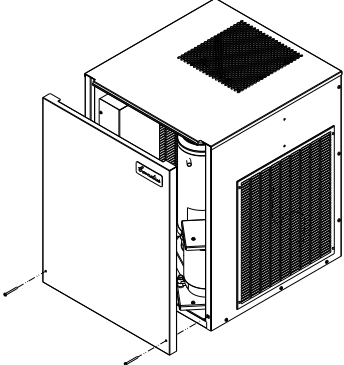
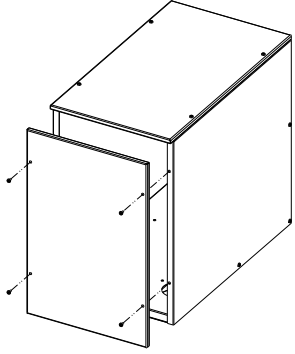
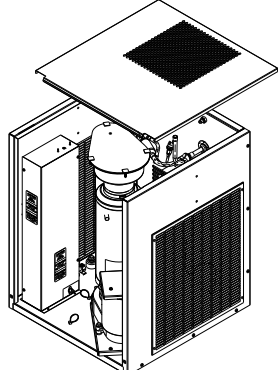
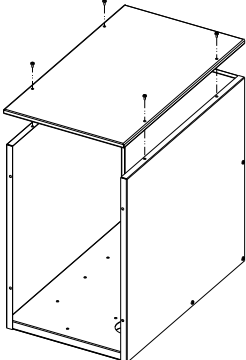
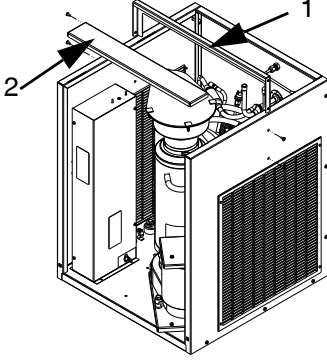
NOTE: In a rack refrigeration application, only the ice making head is required (condensing unit and line kit are not used). Ice making head installed on a -23° F (-30.56° C) low state saturation temperature (14 psig saturation pressure for R404A) requires the installation of one EPR valve, set at 20 psig downstream of the common suction line of WCC-1400R and WCC-1400Rack unit. Approved EPR model is ORIT-6-0/50.

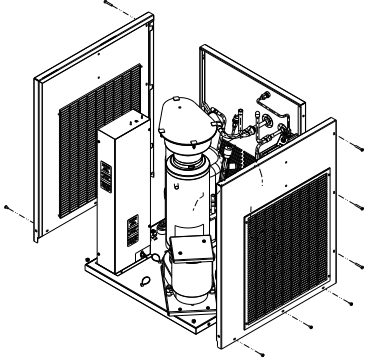
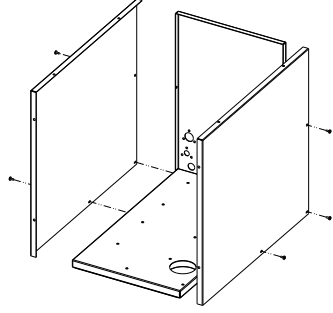
REMOVE ICE MAKER FROM CARTON

1. Keep unit in the upright position, remove carton and pallet from unit and inspect unit for damage.
2. Upon inspection of unit, if any damage found, file a claim with carrier immediately.

CABINET REMOVAL

Icemaker

Item	Action	a) WCC1401R	b) WCC1400rack
1	<p>Front Panel</p> <p>a) Remove 2 screws.</p> <p>b) Remove 4 screws and pull forward.</p>	 <p style="text-align: center;">Figure 8</p>	 <p style="text-align: center;">Figure 9</p>
2	<p>Top Panel</p> <p>a) Slide back and lift upwards.</p> <p>b) Remove 4 screws, and lift upwards.</p>	 <p style="text-align: center;">Figure 10</p>	 <p style="text-align: center;">Figure 11</p>
3	<p>Cross Bar</p> <p>a) To remove cross bar 1, remove 2 screws from each side and lift upward.</p> <p>b) To remove cross bar 2 just lift upward.</p>	 <p style="text-align: center;">Figure 12</p>	

<p>4</p>	<p>Side Panels Remove all screws and pull forward.</p>	 <p>Figure 13</p>	 <p>Figure 14</p>
<p>5</p>	<p>Back Panel - Should not be removed.</p>		

Condensing Unit

1. Remove all screws and lift upward.

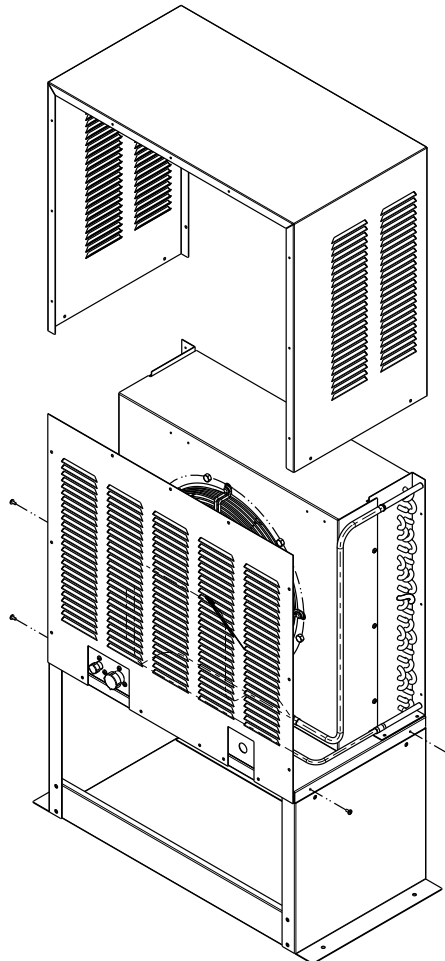


Figure 15

PREPARATION OF INSTALLATION SITE

Icemaker

1. Maintain a minimum of 4 inches clearance on all the sides of the units free of obstruction for air flow.
2. The unit can be installed either on an ice storage bin or ice dispenser using proper adapter kits. (Refer to sales literature for information.) The install kit provided with each icemaker and adapter kits will supply everything to locate unit correctly. In all cases the icemaker should be sealed all around the base with an NSF listed sealant. (63804815B).

Condensing Unit

The refrigeration system is air-cooled, it requires airflow, so a well-ventilated area should be chosen. A minimum of 4 feet must be maintained for air intake and exhaust.

WATER INLET HOOK-UP

1. **Water Inlet** - Fitting is a 1/4" (6.35mm) SAE male flare located at the rear of the unit. Connect water supply with a 1/4" (6.35mm) or larger copper or flexible tubing.



CAUTION:

Unit must be installed with only potable water.

NOTE: A shut-off valve with a loop of additional tubing for service is recommended.

2. **Water Pressure** - Unless otherwise specified, the unit is designed to operate on water pressures between 10 P.S.I. (0.69 Mpa) - 90 P.S.I. (0.62 Mpa), A recommended water supply is with temperatures between 50° F - 90° F (10° C - 32° C) with a pressure between 20-70 P.S.I (0.138 - 0.48 Mpa).

NOTE: For pressures above 90 P.S.I. (0.62 Mpa) a regulator must be installed.

NOTE: This equipment must be installed with adequate backflow protection to comply with applicable federal state and local codes.

3. **Filter** - IMF (Phosphate Feeder) Water Filters and Scale inhibitors are **not** recommended for use with the Continuous Flow Ice-Maker, Taste & Odour only should be used. Total dissolved solids in the water should be within the below specified limit.

MIN dissolved solids = 270 PPM(TDS).

Max dissolved solids = 500 PPM(TDS).

NOTE: Water inlet for the Ice Maker should not be with RO Filtration System.

NOTE: Unit must be installed per local plumbing code.

DRAIN CONNECTION

Overflow Line – is a 3/8" I.D. flexible tube located at the rear of the icemaker. Extend this line to proper drain.

NOTE: Unit must be installed per local plumbing code BOCA.

ELECTRICAL SUPPLY

1. **Power Access** — is provided with a 7/8" diameter. knockout hole in the rear panel. Route incoming power in conduit, through rear panel to icemaker electrical control box. Make connections to wires provided in the control box and ground lug/screw.
2. **Fused Line** — should be checked and sized according to electrical rating shown on unit nameplate.

AUGER ENGAGEMENT

Be certain that the auger is fully engaged to lower drive and extruder head is fully engaged into evaporator. Perform the following procedure to engage the auger properly.

1. Install the extruder head on top of the evaporator, as shown in Figure 8

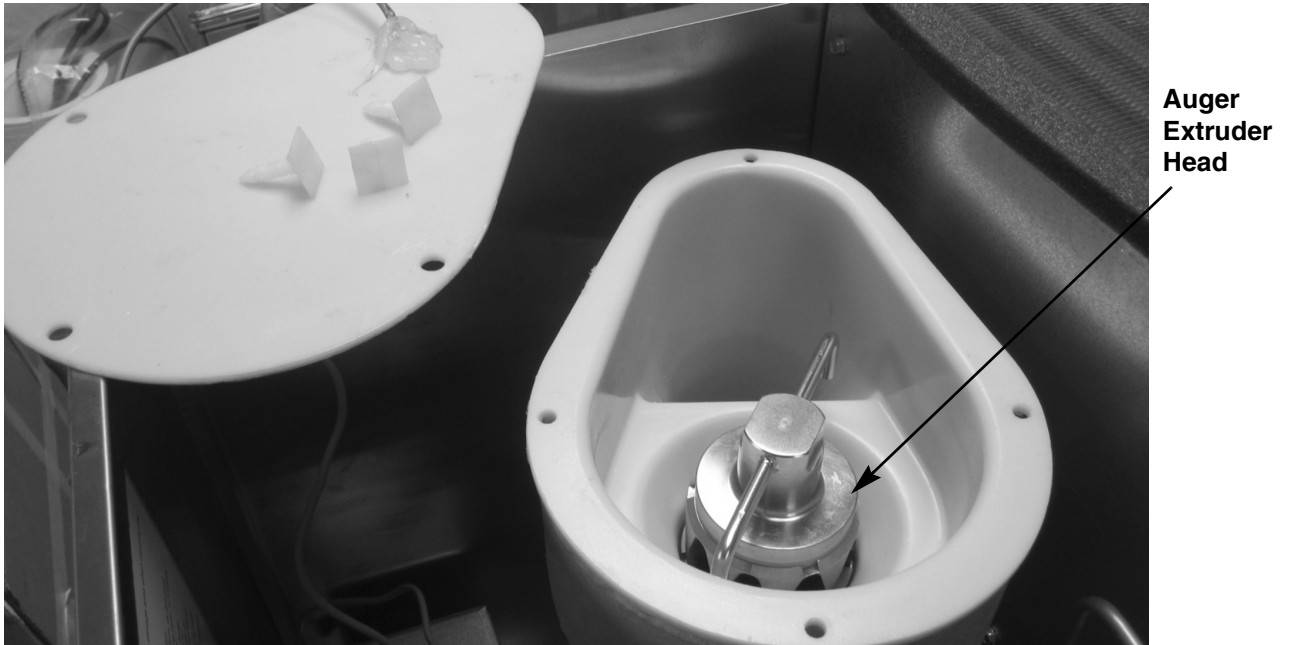


Figure 16

2. When the auger is lowered into the evaporator, rotate the auger to engage the motor drive shaft, as shown in Figure 9

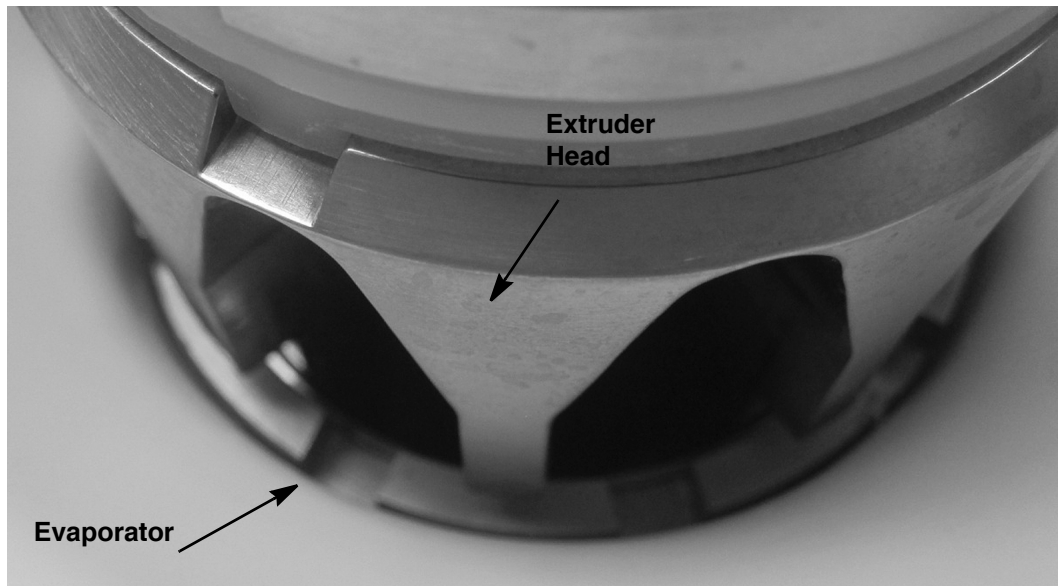


Figure 17

- Carefully rotate the extruder head until the tabs on the extruder head drop into the slots on the evaporator plate, as shown in figure 16. When the auger/extruder head assembly is rotated to the proper position, it will drop about 1/4 inch to more fully engage the motor drive shaft.

NOTE: Not all the tabs are the same width. Therefore, you must rotate the auger until all the tabs are properly aligned with the evaporator slots. This may require almost a complete rotation of the extruder head to complete.

⚠ CAUTION:

Keep hands out of the way when rotating the extruder head. When the auger is aligned, it drops down quickly and a finger may be pinched due to the weight of the auger/extruder head assembly.

Failure to lock the extruder head tabs into the evaporator slots causes the auger to be out of proper alignment with the evaporator. This may cause excessive loads on the auger that can potentially result in excessive noise and tripping the drive motor overload.

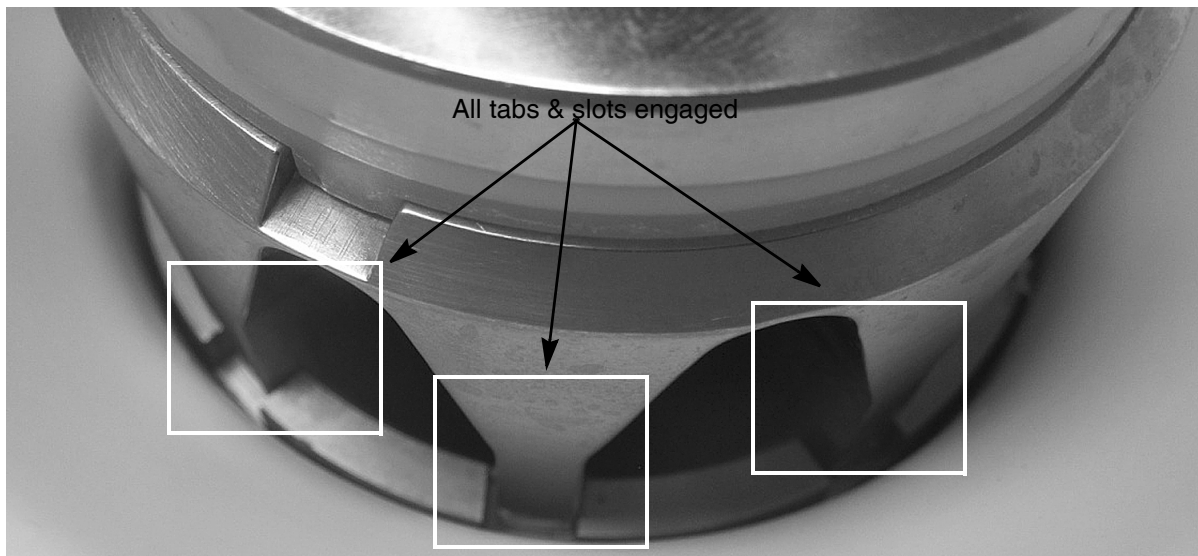


Figure 18

INITIAL START UP, CHECKS AND ADJUSTMENT INSTRUCTIONS

NOTE: Do not start unit before completing installation steps on the previous page.

Turn on water supply turn on main power switch (located on top of electrical box), and make the following system checks:

NOTE: If the unit will not start, be sure the water reservoir is full. Low water safety control must be properly adjusted to start and shut down unit. If water level drops below bottom of reservoir, unit must shut down. Adjustment is made by moving magnet up or down.

Water Level — If necessary adjust float by bending float arm up or down as needed, push float assembly down until unit stops running. Release float and unit will restart. Keep water in reservoir at level line while unit is in operation.

Low Water Safety Control — Adjust magnet by bending magnet arm as needed to shut unit down if water level drops below bottom of reservoir.

Bin Control — Place ice around probe, unit should shut down in one minute. Remove ice from around probe, unit should start in two minutes.

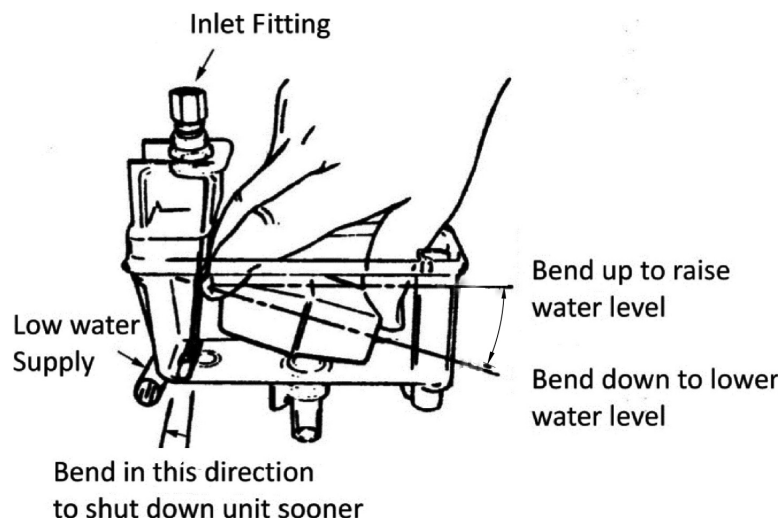


Figure 19 Icemaker Float Assembly

NOTE: If any of these checks or adjustments cannot be achieved, refer to Service Manual or call for factory assistance at 1-800-238-3600.

FOR WCC1401-R ONLY.

1. The WCC1401-R is equipped with a compressor start delay. The auger motor will run before compressor start for approximately 2 minutes. This is to clear out the evaporators and is normal.
2. The WCC1401-R is equipped with a auger motor run delay. The auger motor will run after compressor shut down for approximately 3 minutes. This is to clear out the evaporators and is normal.

BIN CONTROL

The type of bin control used on all WCC & WCF Models is an electronic control. The control is supplied with power to terminals X1 and X2. Terminals X3 and X4 are a normally closed switch which open when the thermostat sensor bulb senses ice.

The sensing element is located in a 5/16" stainless steel tube which hangs from the dispense tray cover down through the center of the drop tube.

To test switch, start the icemaker and block the outlet tube. When the ice fills the drop tube about 1/2 full the icemaker should shut off. When tube is cleared the ice maker should restart within 5 min.

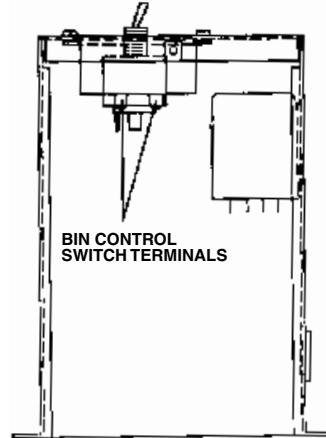


Figure 20. Bin Control Switch

The Bin control is in electrical series with coil on antifreeze relay along with the low water safety. If unit is water cooled, the condenser high pressure cut out is also in series.

The Control Switch is held in place inside electrical box by 2 screws. The Control bulb is in the drop tube. It can be removed by pulling the cable located on the top of the dispense tray cover. When replacing the sensor make sure the bulb is inserted to the bottom of the thermostat well.

GEARMOTOR

The gearmotor is equipped with a start relay and a manual reset overload.

When current is applied, the relay energizes and completes the circuit to the start winding. The motor reaches a predetermined speed and the relay drops out, disconnecting the start winding. The run winding remains in the circuit as long as current is applied.

The purpose of the overload is to automatically shut off the motor in the event of a mechanical bind of the transmission, an overload condition within the evaporator or an electrical malfunction. It does this by sensing amperage draw. If the motor stalls the start relay would energize and stay energized. The amperage would surge 5 to 6 times greater than the normal draw. In this event the overload would shut off the transmission in 4 to 8 seconds.

If the motor is subjected to an abnormal load, but does not reach a stall condition, the overload will react, but over a greater period of time. The reaction time depends upon the amperage to which it is subjected.

The overload, through the safety circuit, also shuts off the compressor.

Install Bin control sensor

When shipping the sensing tube is on the base of the ice maker.

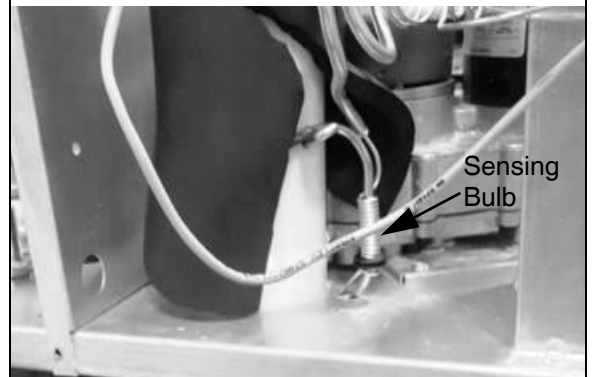


Figure 21

Slide the bulb through the larger hole in front of the drop tube and secure the mounting bracket with supplied screw.



Figure 22

The sensing bulb should be directly under the drop tube.



Figure 23

CLEANING AND SANITIZING

ICEMAKER CLEANING AND SANITIZING PROCEDURES

WARNING:

Do not use any of the ice made during cleaning operations.

Clean and sanitize ice storage area when cleaning icemaker.

1. Turn machine off.
2. Shut off water supply.
3. Remove ice from storage bin.
4. Mix approved cleaner (2 gallons as directed). **Recommended cleaner:** Nu-Calgon liquid ice machine cleaner. **Mixture:** 3-1/3 ounces per gallon of water.

WARNING:

Cleaner must be safe for stainless steel. NO EXCEPTIONS.

5. Clean auger/diverter assembly and ice transition/drop tube in a sink using cleaner mixture and reinstall in icemaker. Using cleaner, wipe down the dispense tray.
6. Turn machine on and add cleaner solution to water level control until 2 gallons have been used.
7. Turn on water supply and run machine for 15 minutes.
8. Turn off machine and remove all ice.
9. Sanitize using household liquid bleach (50 ppm chlorine). **Mixture:** 1 fluid ounce per gallon room temperature water. 2 minute exposure time.
10. Sanitize auger/diverter assembly and ice transition/drop tube in a sink using sanitizing solution and reinstall in icemaker. Using sanitizer, wipe down the dispense tray.
11. Fill icemaker with sanitizer by slowly pouring solution into water feed reservoir until full. Solution will drain through overflow tube. Do not run machine. Allow to air dry.
12. If icemaker is used in conjunction with ice dispenser or storage bin, follow manufacturer's recommended cleaning instructions at this time.

MAINTENANCE

Preventive maintenance can increase the trouble free life of your icemaker. Many authorized service agencies offer service contracts for your icemaker. Contact your local distributor for further information.

Monthly

1. Clean the condenser. Use a brush, vacuum cleaner or blow from inside with air or CO₂ gas.
2. Inspect water feed reservoir at least once a month until a definite pattern for cleaning and sanitizing has been established.

Quarterly

This is the maximum period of time between cleaning and sanitizing the icemaker. In addition to recommended monthly procedure, and if a more frequent cleaning and sanitizing pattern has not been established, unit must be cleaned and sanitized.

Semi-Annually

Semi-Annually in addition to all previously established service procedures perform the following:

1. Check for water leaks in tube connections, water fittings and lower icemaker water seal.
2. Check drain tubes for clogs and aged tubes. Replace if tubes are stained or brittle.
3. Check for signs of condensation. Clean where necessary and replace insulation properly.
4. Check safety circuits for proper operation.
5. Check refrigeration system.
6. Check unit for abnormal noise. Tighten machine and cabinet screws, if necessary.
7. Check white upper bearings on auger assembly. If bearings are less than 1/16" thick, replace.

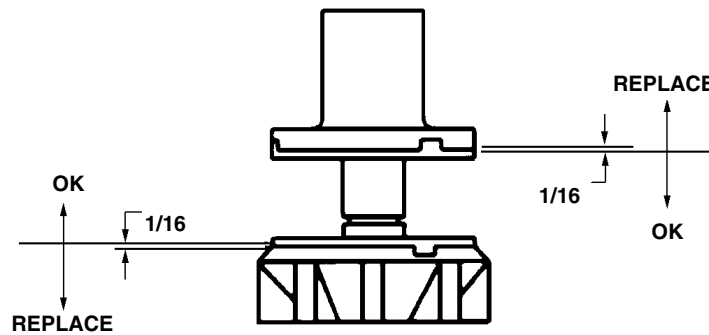


Figure 24. Upper Nut and Bearing Assembly

WATER LEVEL CONTROL

HOW WATER LEVEL CONTROL WORKS

When water is introduced through the inlet fitting the float rises. The float pushes against a lever which in turn forces the poppet assembly against the inlet fitting valve seat which seals the water off. Before the water inlet is sealed the safety switch is operated. In the event of a water failure the float would drop down and operate the safety switch to shut off the machine.

If water level control will not shut off and seal at level as indicated, be sure inlet pressure does not exceed recommended factory operating range.

Under ordinary circumstances adjustment should not be necessary providing it was properly adjusted when unit was installed or relocated. If, however, the control becomes inoperative, repair or replace. See Start-Up Adjustment in the Installation Manual.

PURPOSE

1. To automatically maintain proper water level in the evaporator when unit is running and making ice.
2. A safety switch is operated in the event of an interruption in water supply. The switch shuts off the electrical power to the icemaker and its refrigeration system. Switch will reset as soon as cause of water failure has been corrected and proper water level in icemaker has again been reached.
3. The transparent bowl not only provides a visible check of water level, but also is a good guide to the internal conditions which exist within the icemaker assembly itself. (See Cleaning Procedure.)

TO REPLACE WATER LEVEL CONTROL

WARNING:

Disconnect power to the unit before servicing. Follow all lock out/tag out procedures established by the user. Verify all power is off to the unit before performing any work.

Failure to comply could result in serious injury, death or damage to the equipment.

1. Shut off the water supply. Shut off the main power switch or unplug the ice dispenser from electrical outlet.
2. Remove the flexible tubing from bottom of water level control and drain water from water level control and evaporator.
3. Remove flexible tubing at bottom of water level bowl connected to the overflow.
4. Hold water inlet fitting with proper tool to prevent it from rotating when disconnecting the water inlet.
5. Remove wing nut holding water control to its mounting bracket. Control can be removed by lifting straight up.

TO REPLACE WATER LEVEL SAFETY SWITCH

WARNING:

Disconnect power to the unit before servicing. Follow all lock out/tag out procedures established by the user. Verify all power is off to the unit before performing any work.

Failure to comply could result in serious injury, death or damage to the equipment.

1. Shut off main power switch or unplug the ice dispenser from electrical outlet.
2. Unplug mox connector connecting switch to electrical box.
3. Remove the 2 screws anchoring the water level safety switch to the bottom of the water level control mounting bracket.

REFRIGERATION SYSTEM

REFRIGERATION SYSTEM ADJUSTMENTS

A complete understanding of the icemaker and hermetic refrigeration system is necessary before any adjustments are made. The refrigeration technician must use high and low side pressure readings, water and air temperatures, plus general conditions of cleanliness to assess the refrigeration system status when making any adjustments.

All icemaker products are tested and adjusted at the factory prior to shipment where the ambient temperature ranges from 65° to 90°F, depending on the season of the year.

Whenever a new icemaker product is initially installed and started-up, it is imperative that the start-up operation make the following checks and/or readjustments for local conditions.

EXPANSION VALVE

You will find a thermostatic expansion valve on icemakers, which is used to control the amount of refrigerant flowing through the evaporator. Improperly installed or defective expansion valves may cause low production, soft ice, squeaking from evaporator and excessive load inside evaporator.

By using general refrigeration system troubleshooting along with the pressure charts you can easily determine whether or not the expansion valve is working properly.

ADJUSTMENT AND TROUBLESHOOTING

When troubleshooting the expansion valve you must first be sure you have adequate water flowing into evaporator, a clean condenser, unit is properly ventilated, and system is properly charged and free from any restrictions. Also be sure compressor is operating properly.

Second, take reservoir water temperature and air temperature from condenser inlet and determine at what pressure unit should be running. Machines are equipped with thermostatic valves, there is NO adjustment. If correct pressure cannot be obtained, first be sure system has time to stabilize 10–15 minutes. Second, be sure sensing bulb is located at 12:00 position on outlet side of evaporator about 3–4 inches away from evaporator and be sure to insulate well and clamp tightly to tubing. If system pressures are still not adequate, take a second water and air temperature reading and go over other parts of system for possible problems. If proper charge is questionable evacuate and recharge to nameplate and leak check. If valve still malfunctions replace valve.

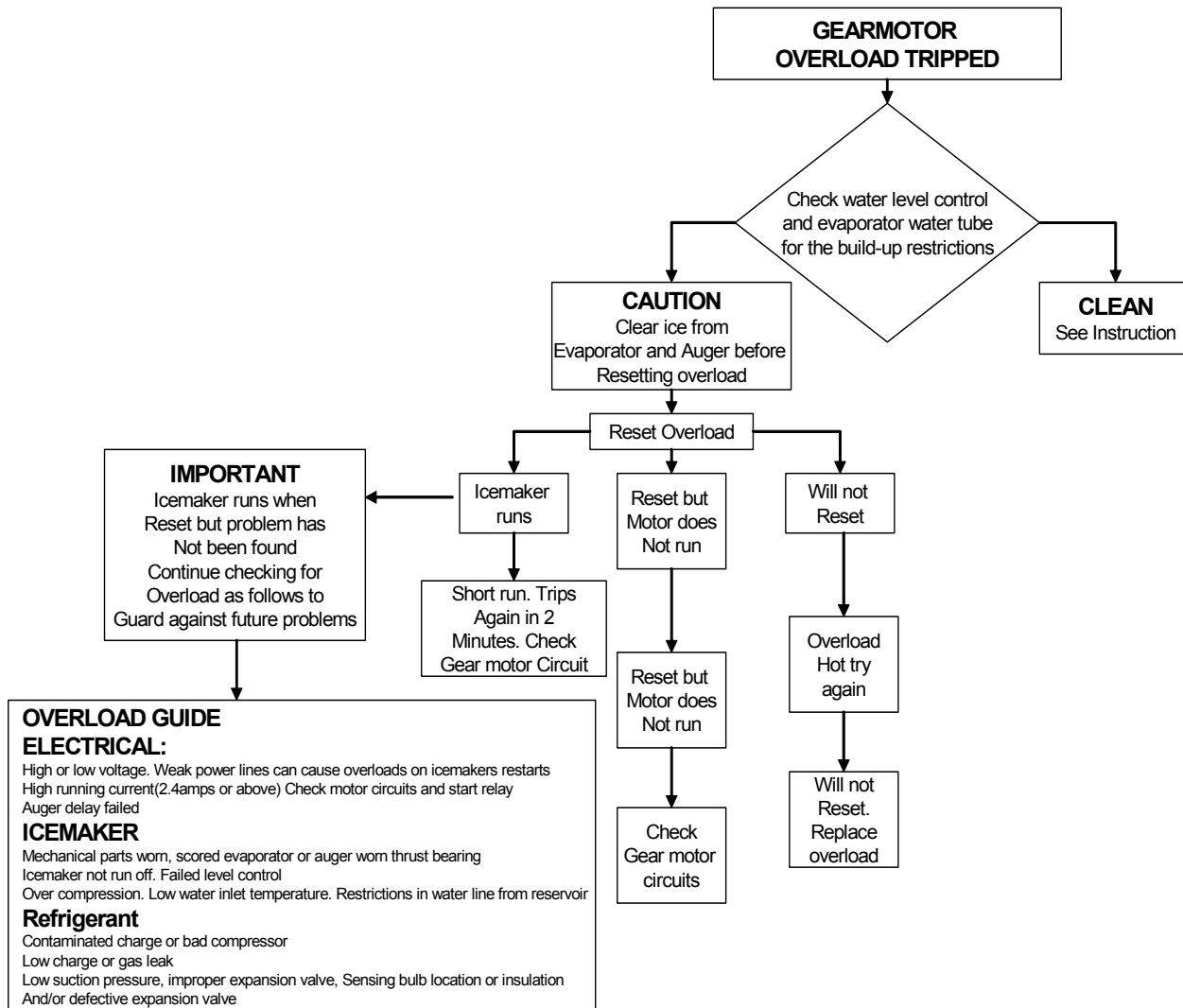
When replacing valve be sure to bleed refrigerant gas from low side port so as not to lose refrigerant oil. Use general refrigerant system practices when replacing and recharging unit. After new valve is in place, go through previous monitored adjustments and troubleshooting to be sure valve is functioning properly.

NOTE: Units with thermostatic expansion valve—valve is located on bottom refrigerant line. Sensing bulb is located on top refrigerant line. On water cooled units adjust condenser modulating valve before troubleshooting expansion valve.



CAUTION:

Very High discharge pressure is present in system. Quick disconnects on you gauges will minimize danger and loss of refrigerant. Comply with federal regulations for reclaiming refrigerant.



MOTOR CHECK

WARNING:

Disconnect power to the unit before servicing. Follow all lock out/tag out procedures established by the user. Verify all power is off to the unit before performing any work.

Failure to comply could result in serious injury, death or damage to the equipment.

WARNING:

The resistance readings on the winding will be between 5 to 25 ohms. A meter capable of these low readings must be used. The start relay cover must be removed.

If no continuity on start or run winding test, replace gearmotor. If continuity on grounded motor test, replace gearmotor.

START RELAY

⚠ WARNING:

Disconnect power to the unit before servicing. Follow all lock out/tag out procedures established by the user. Verify all power is off to the unit before performing any work.

Failure to comply could result in serious injury, death or damage to the equipment.

1. Check between "2" and "4" on relay (with relay unplugged). If there is continuity replace the relay, as the relay contacts should be open.
2. Check between "3" and "4" on relay, if no continuity replace the relay.

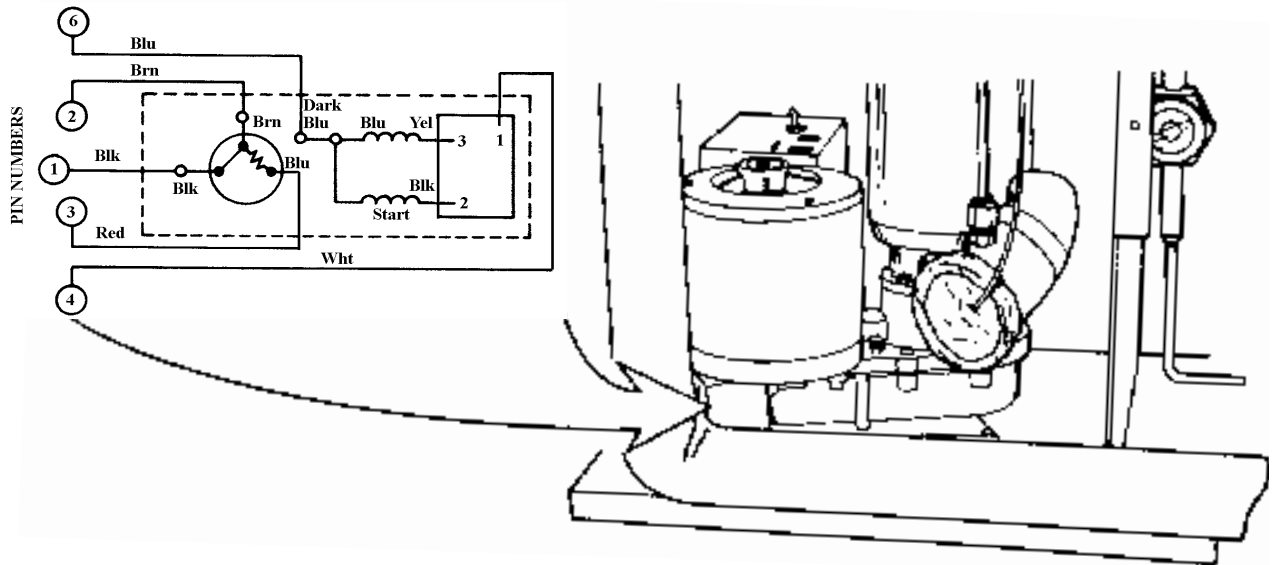


Figure 25. Gearmotor Assembly

TO REPLACE GEARMOTOR ASSEMBLY

⚠ WARNING:

Disconnect power to the unit before servicing. Follow all lock out/tag out procedures established by the user. Verify all power is off to the unit before performing any work.

Failure to comply could result in serious injury, death or damage to the equipment.

1. Disconnect the transmission cable from the electrical box.
2. Remove the 4 hex head bolts securing the evaporator to the top of the transmission.
3. Remove the 4 bolt's holding the transmission and bracket to frame base, while supporting the weight of the evaporator. Remove the transmission from the unit.
4. When replacing the transmission, it may be necessary to rotate the auger back and forth to align the motor shaft and auger.

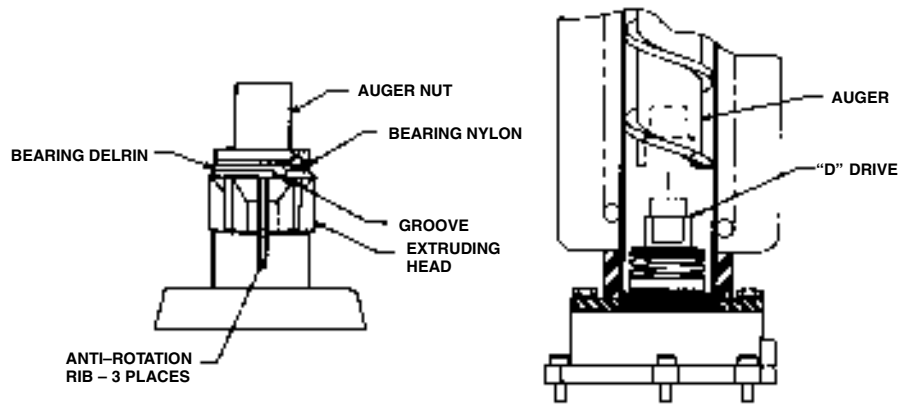


Figure 26. Auger and Extruding Head Removal

AUGER AND EXTRUDING HEAD REMOVAL

⚠ WARNING:

Disconnect power to the unit before servicing. Follow all lock out/tag out procedures established by the user. Verify all power is off to the unit before performing any work.

Failure to comply could result in serious injury, death or damage to the equipment.

1. Remove storage container cover and put aside.
2. Turn off water supply to icemaker.
3. After ice has melted from head take hold of the auger nut and lift straight up to disengage from icemaker.
4. When replacing the auger assembly, perform the Auger Engagement procedure to ensure that the extruder head is fully engaged into the evaporator.

AUGER ENGAGEMENT

1. Install the extruder head on top of the evaporator, as shown in Figure 27.

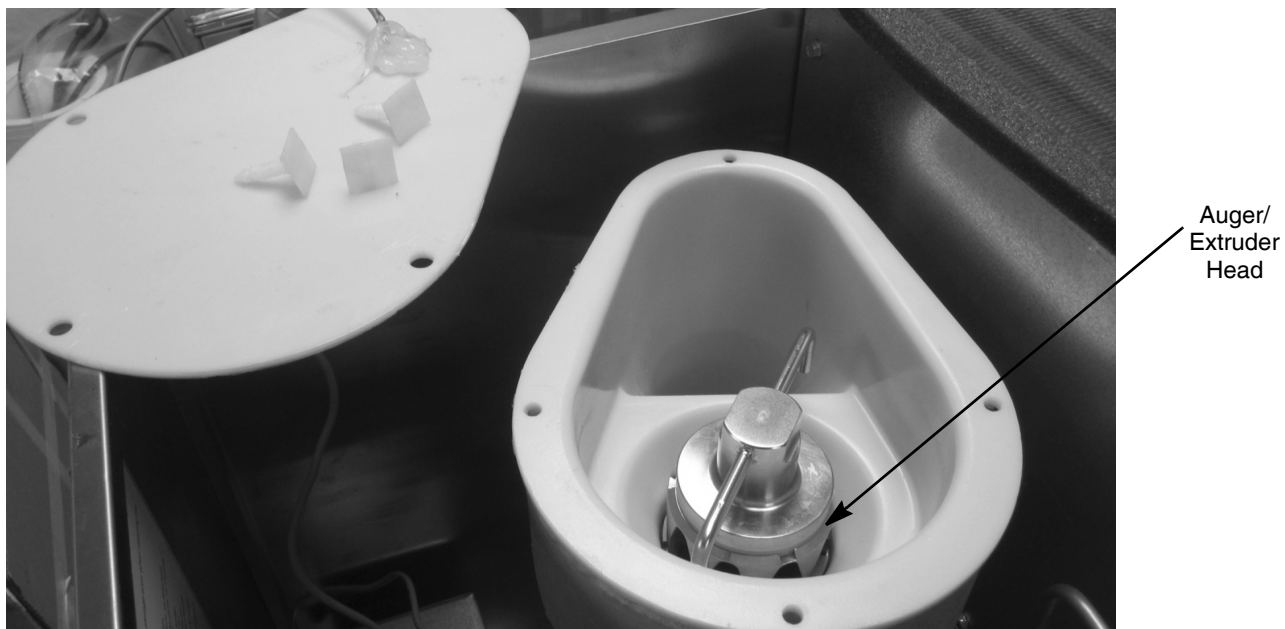


Figure 27.

- When the auger is lowered into the evaporator, rotate the auger to engage the motor drive shaft, see Figure 28.

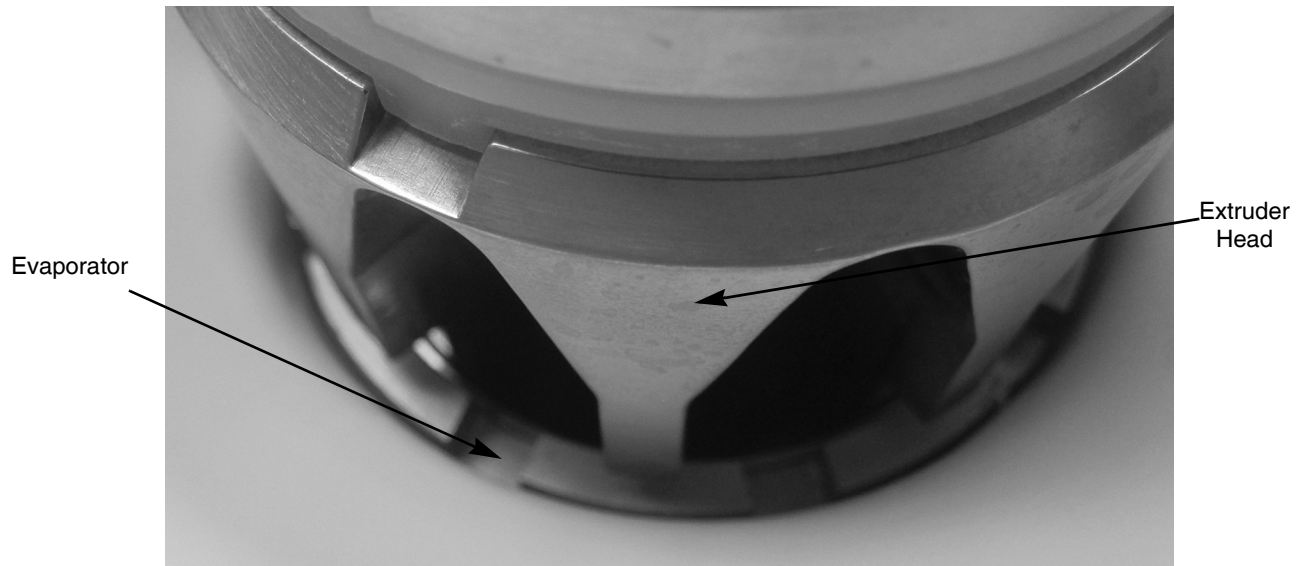


Figure 28.

- Carefully rotate the extruder head until the tabs on the extruder head drop into the slots on the evaporator plate, as shown in Figure 29. When the auger/extruder head assembly is rotated to the proper position, it will drop about 1/4 inch to more fully engage the motor drive shaft.

NOTE: Not all the tabs are the same width. Therefore, you must rotate the auger until all the tabs are properly aligned with the evaporator slots. This may require almost a complete rotation of the extruder head to complete.

CAUTION:

Keep hands out of the way when rotating the extruder head. When the auger is aligned, it drops down quickly and a finger may be pinched due to the weight of the auger/extruder head assembly.

Failure to lock the extruder head tabs into the evaporator slots causes the auger to be out of proper alignment with the evaporator. This may cause excessive loads on the auger that can potentially result in excessive noise and tripping the drive motor overload.

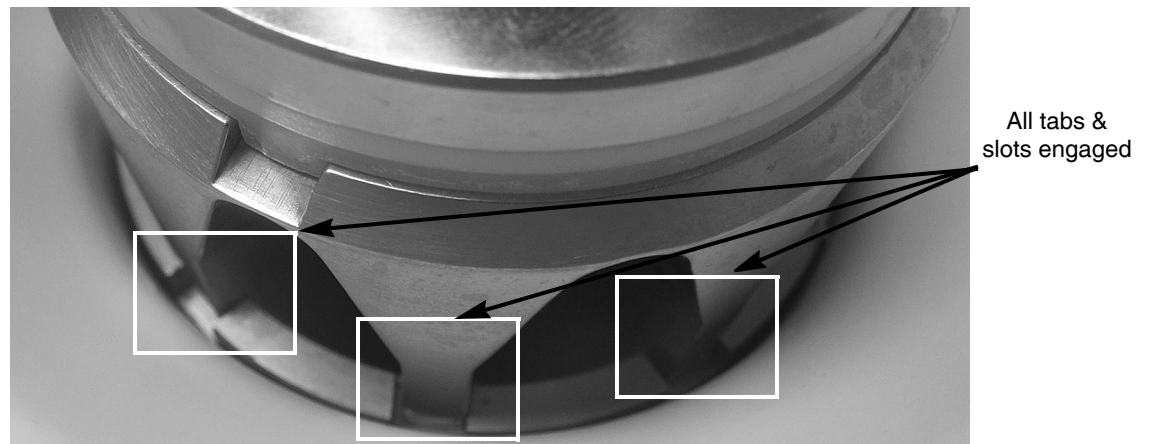


Figure 29.

INSTALLATION AND SHAFT SEAL REPLACEMENT

1. Place shaft seal locator seat and shaft seal mount over gearmotor output shaft and push down until shaft seal seat and shaft seal mount rest flush on top of gearmotor.
2. Place rubber coated ceramic seal (important: ceramic face up) over output shaft and push down until seal nest in recess of shaft seal mount. (lubricate rubber on ceramic seal with rubber lubricant).
3. Place shaft seal with carbon face down (spring up) over output shaft and push (gently) downward until seal rests on carbon face of the output shaft seal.
4. Place flat washer over output shaft and let rest on the output shaft seal. Push down on the washer compressing the spring on the output shaft seal. While holding the seals (down) in place slide the E-ring into the groove on the output shaft

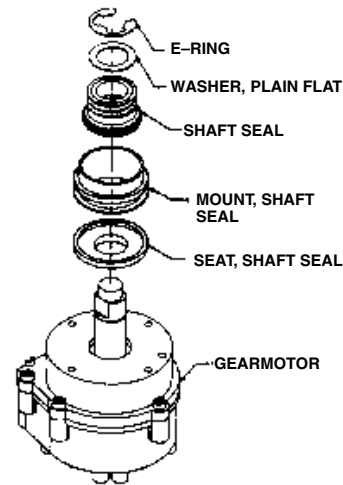


Figure 30. Shaft Seal

UPPER NUT AND BEARING ASSEMBLY

The upper white bearing located on top of the auger is used to absorb the force between the auger and extruding head.

NOTE: The bearings are 3/32 thick. When they wear below 1/16 they should be replaced. Bearings to be inspected for wear during quarterly maintenance.

To Replace Bearing

WARNING:

Disconnect power to the unit before servicing. Follow all lock out/tag out procedures established by the user. Verify all power is off to the unit before performing any work.

Failure to comply could result in serious injury, death or damage to the equipment.

1. Remove top panels.
2. Remove Dispense Tray Cover.
3. Use an open end wrench on auger nut connected to bearing and turn counter-clockwise to remove assembly.
4. Remove worn bearings. Replace with new bearings and then reinstall assembly.

NOTE: If auger turns with nut, remove cover on top of gearmotor stator and hold motor while loosening nut.

ELECTRICAL CHECKOUT

⚠ WARNING:

Disconnect power to the unit before servicing. Follow all lock out/tag out procedures established by the user. Verify all power is off to the unit before performing any work.

Failure to comply could result in serious injury, death or damage to the equipment.

1. Remove the compressor electrical box cover. Check for obvious damage and loose wires.
2. Disconnect the fan motor leads. Since capacitors store energy, short the capacitor with a screwdriver. This will prevent shocks.
3. Disconnect the compressor terminal wires.

OVERLOAD CHECK

⚠ WARNING:

Disconnect power to the unit before servicing. Follow all lock out/tag out procedures established by the user. Verify all power is off to the unit before performing any work.

Failure to comply could result in serious injury, death or damage to the equipment.

Using a volt-ohmmeter check the continuity across the overload, contact #1 and #3. If none, wait for unit to cool down and try again. If still no continuity, the overload protector is defective and should be replaced.



Figure 31. Overload Check

COMPRESSOR CHECK

⚠ WARNING:

Disconnect power to the unit before servicing. Follow all lock out/tag out procedures established by the user. Verify all power is off to the unit before performing any work.

Failure to comply could result in serious injury, death or damage to the equipment.

The resistance readings on the windings will be between 0.25 to 10.00 ohms, a meter capable of these low readings must be used.

1. Check between "C" and "R." Replace the compressor if there is no continuity as the run windings are open.
2. Check between "C" and "S." Replace the compressor if there is no continuity as the start windings are open.
3. Check between "C" and "R" or "S" and the shell of the compressor. If there is continuity, replace the compressor as the motor is grounded.
4. Check between screw terminal on the overload and "C" on the compressor. Check and repair the lead or connections if there is no continuity.

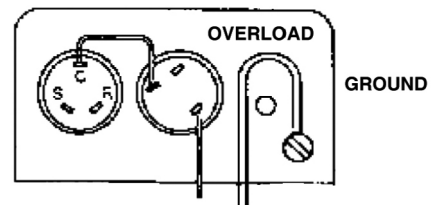


Figure 32. Compressor Check

CAPACITOR CHECK

⚠ WARNING:

Disconnect power to the unit before servicing. Follow all lock out/tag out procedures established by the user. Verify all power is off to the unit before performing any work.

Failure to comply could result in serious injury, death or damage to the equipment.

1. Check or replace start capacitor, disconnect bleed resistor before checking for shorted capacitor.
2. Check or replace run capacitor (if supplied) check for shorted capacitor or either terminal grounded to case.

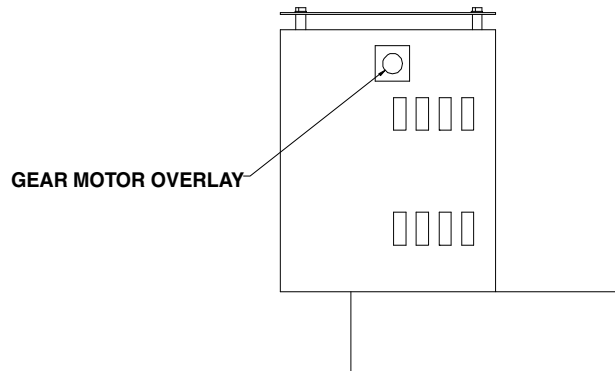


Figure 33. Gear Motor Overload

SAFETY CONTROLS

Your icemaker unit has several safety and control devices incorporated into its design.

⚠ WARNING:

None of the devices described below should ever be “bypassed” to allow the unit to function.

Failure to comply could result in serious injury, death or damage to the equipment.

The safety and control system shut-off devices are:

1. Low water shut off reed switch located in icemaker float assembly. (Automatic reset type.)
2. Gearmotor thermal overload, manual reset type (red button on motor).
3. Compressor thermal overload, automatic reset type.
4. Anti-freeze relay and associated circuit. See wiring diagrams.
5. Main service switch located on top of the control box.
6. Bin Control.
7. High pressure cut out (water cooled only).

GUIDE TO GOOD ICE

CUSTOMER COMMENTS

"It runs but the ice is too soft."

"The icemaker is not producing enough ice."

"The ice is too wet."



CHECK ICEMAKER LOCATION CONDITIONS FIRST

Proper air flow for condensing system.

Location too close to high units such as coffee urns, deep fryers, grills, etc.

Supply water conditions

Water too warm (above 90°F).

Water artificially softened above 262 ppm sodium chloride.

Normal water supply too high in total dissolved solids (above 500 PPM).

CHECK ICE MAKER

Use gauges for checking suction and head pressures. See manual for correct reading and conditions. Check frost line and sight glass.

Check water level for proper adjustment and restrictions. See Manual.

Check evaporator assembly for worn parts, bearings, scored evaporator and auger, bad expansion valve, etc.

"It makes too much noise."
(With this comment the ice is usually extremely hard and larger than normal.)



Over Compression

Check to see if noise objection is normal fan and air flow noise.

Supply water conditions.

Water too cold (below 50°F). (Possibly running from pre-cooler.)

Obstructions partially blocking ice exit from top of evaporator.

Check fan and fan shroud.

Check for loose parts and screws rattling.

Check evaporator assembly for worn parts, bearings, scored evaporator and auger, bad expansion valve, etc.

TROUBLESHOOTING CHART - ICEMAKER NOT OPERATING

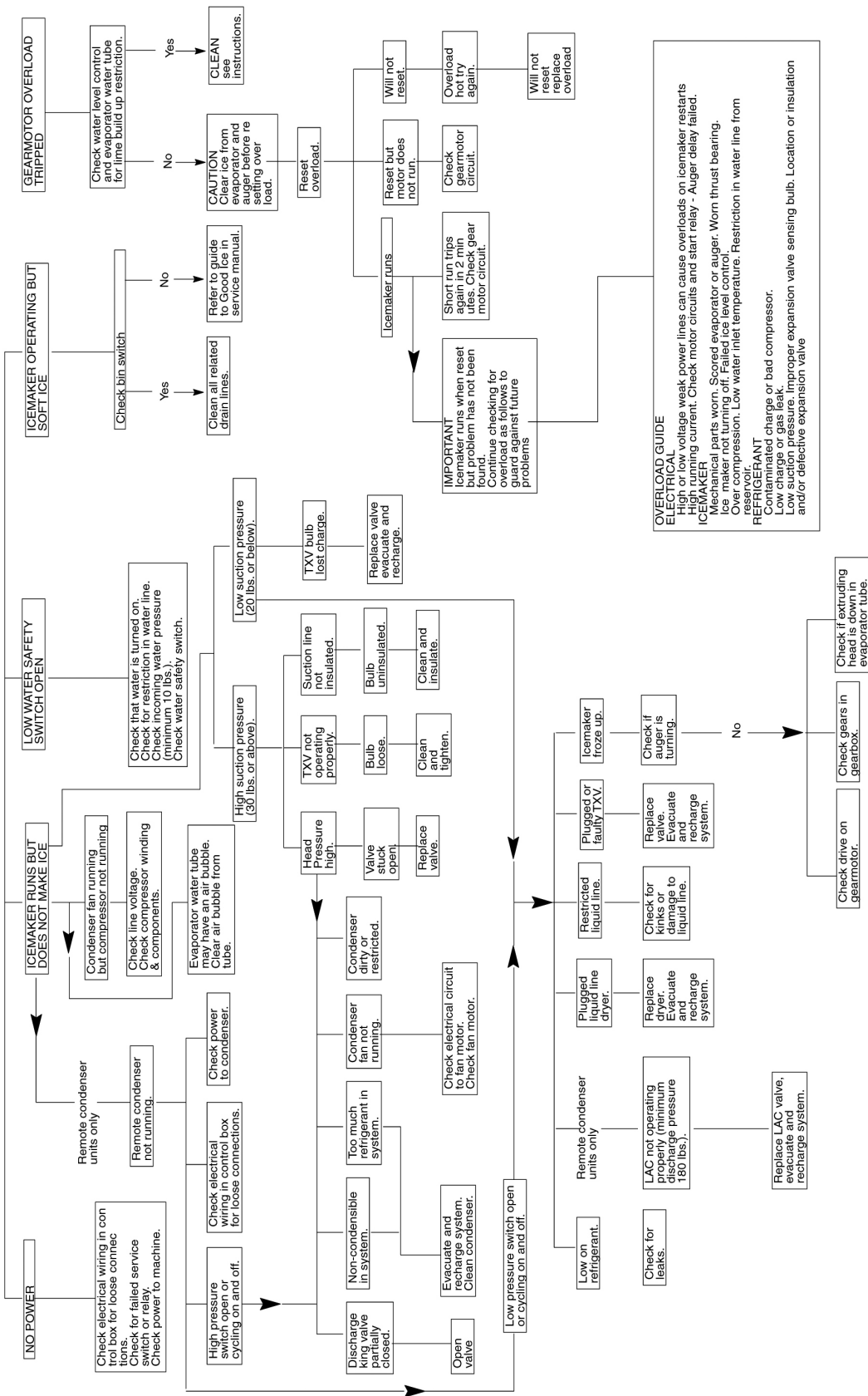


Figure 26. Troubleshooting Chart

Cornelius Inc.
www.cornelius.com