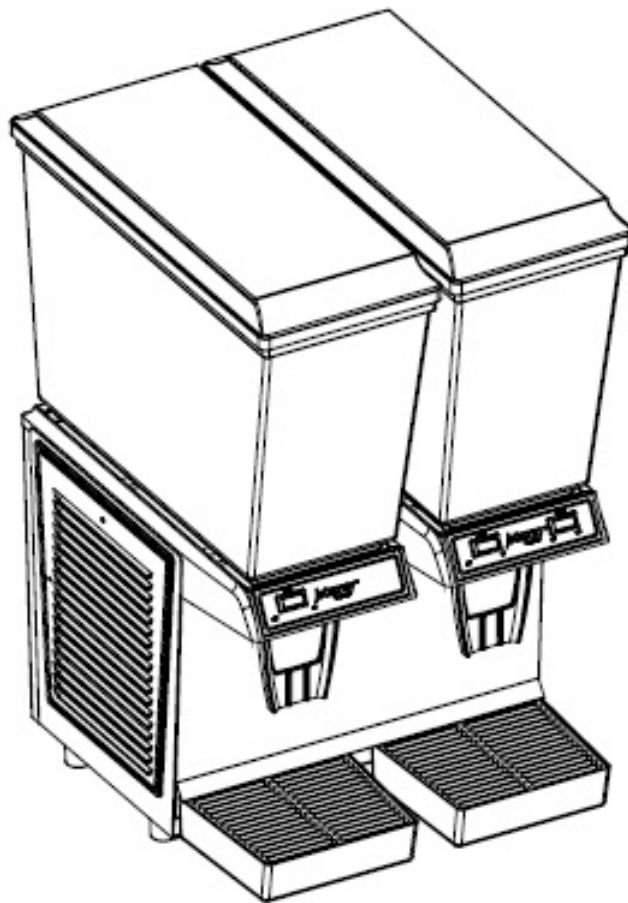


OPERATORS MANUAL

JT20D

JETSPRAY VISUAL DISPLAY DISPENSER



Release Date: June 27, 2008

Publication Number: 620920865INS

Revision Date: June 13, 2019

Revision: D

Visit the Cornelius web site at www.cornelius.com for all your Literature needs.

The products, technical information, and instructions contained in this manual are subject to change without notice. These instructions are not intended to cover all details or variations of the equipment, nor to provide for every possible contingency in the installation, operation or maintenance of this equipment. This manual assumes that the person(s) working on the equipment have been trained and are skilled in working with electrical, plumbing, pneumatic, and mechanical equipment. It is assumed that appropriate safety precautions are taken and that all local safety and construction requirements are being met, in addition to the information contained in this manual.

This Product is warranted only as provided in Cornelius' Commercial Warranty applicable to this Product and is subject to all of the restrictions and limitations contained in the Commercial Warranty.

Cornelius will not be responsible for any repair, replacement or other service required by or loss or damage resulting from any of the following occurrences, including but not limited to, (1) other than normal and proper use and normal service conditions with respect to the Product, (2) improper voltage, (3) inadequate wiring, (4) abuse, (5) accident, (6) alteration, (7) misuse, (8) neglect, (9) unauthorized repair or the failure to utilize suitably qualified and trained persons to perform service and/or repair of the Product, (10) improper cleaning, (11) failure to follow installation, operating, cleaning or maintenance instructions, (12) use of "non-authorized" parts (i.e., parts that are not 100% compatible with the Product) which use voids the entire warranty, (13) Product parts in contact with water or the product dispensed which are adversely impacted by changes in liquid scale or chemical composition.

Contact Information:

To inquire about current revisions of this and other documentation or for assistance with any Cornelius product contact:

www.cornelius.com

800-238-3600

Trademarks and Copyrights:

This document contains proprietary information and it may not be reproduced in any way without permission from Cornelius.

This document contains the original instructions for the unit described.

CORNELIUS INC
101 Regency Drive
Glendale Heights, IL
Tel: + 1 800-238-3600

Printed in U.S.A.

Correct Disposal of this Product



RECYCLE

This marking indicates that this product should not be disposed with other household wastes throughout the EU. To prevent possible harm to the environment or human health from uncontrolled waste disposal, recycle it responsibly to promote the sustainable reuse of material resources. To return your used device, please use the return and collection systems or contact the retailer where the product was purchased. They can take this product for environmental safe recycling.



Safety Instructions1

 Read and Follow ALL Safety Instructions1

 Safety Overview1

 Recognition1

 Different Types of Alerts1

 Safety Tips 1

 Qualified Service Personnel1

 Safety Precautions2

 Shipping And Storage2

 CO2 (Carbon Dioxide) Warning2

 Mounting in or on a Counter2

 Power and Water3

 Power3

 Power Cord3

 Water3

 Operating Adjustments 3

INTRODUCTION5

 Specifications 5

 Power Cord 5

 Size5

 Beverage Bowl & Cover5

 Cabinet5

 Capacity5

 Refrigeration5

 Refrigerant5

 Spray Drive and Fan Motor5

 Power Drive Magnet5

 Net Weight5

 Shipping Weight5

 Carton Cube5

 Machine Clearance6

 Class of Windings6

 Environment6

INSTALLATION AND OPERATING INSTRUCTIONS7

 Setting Up Your JT20D7

 Cleaning the Dispenser7

 To Assemble8

 Operating Procedures10

FREQUENT MAINTENANCE PROCEDURES11

 Cleaning the Bowls11

 Cleaning the Condensate Drains11

 Sanitizing the Unit12

 Ventilation12

 Cleaning the Condenser12

 Bowl Leaks12

SAFETY INSTRUCTIONS

READ AND FOLLOW ALL SAFETY INSTRUCTIONS

Safety Overview

- Read and follow **ALL SAFETY INSTRUCTIONS** in this manual and any warning/caution labels on the unit (decals, labels or laminated cards).
- Read and understand ALL applicable OSHA (Occupational Safety and Health Administration) safety regulations before operating this unit.

Recognition

Recognize Safety Alerts



This is the safety alert symbol. When you see it in this manual or on the unit, be alert to the potential of personal injury or damage to the unit.

DIFFERENT TYPES OF ALERTS

DANGER:

Indicates an immediate hazardous situation which if not avoided **WILL** result in serious injury, death or equipment damage.

WARNING:

Indicates a potentially hazardous situation which, if not avoided, **COULD** result in serious injury, death, or equipment damage.

CAUTION:

Indicates a potentially hazardous situation which, if not avoided, **MAY** result in minor or moderate injury or equipment damage.

SAFETY TIPS

- Carefully read and follow all safety messages in this manual and safety signs on the unit.
- Keep safety signs in good condition and replace missing or damaged items.
- Learn how to operate the unit and how to use the controls properly.
- **Do not** let anyone operate the unit without proper training. This appliance is **not** intended for use by very young children or infirm persons without supervision. Young children should be supervised to ensure that they do not play with the appliance.
- Keep your unit in proper working condition and do not allow unauthorized modifications to the unit.

QUALIFIED SERVICE PERSONNEL

WARNING:

Only trained and certified electrical, plumbing and refrigeration technicians should service this unit. **ALL WIRING AND PLUMBING MUST CONFORM TO NATIONAL AND LOCAL CODES. FAILURE TO COMPLY COULD RESULT IN SERIOUS INJURY, DEATH OR EQUIPMENT DAMAGE.**

SAFETY PRECAUTIONS

This unit has been specifically designed to provide protection against personal injury. To ensure continued protection observe the following:

WARNING:

Disconnect power to the unit before servicing following all lock out/tag out procedures established by the user. Verify all of the power is off to the unit before any work is performed.

Failure to disconnect the power could result in serious injury, death or equipment damage.

CAUTION:

Always be sure to keep area around the unit clean and free of clutter. Failure to keep this area clean may result in injury or equipment damage.

SHIPPING AND STORAGE

CAUTION:

Before shipping, storing, or relocating the unit, the unit must be sanitized and all sanitizing solution must be drained from the system. A freezing ambient environment will cause residual sanitizing solution or water remaining inside the unit to freeze resulting in damage to internal components.

CO₂ (CARBON DIOXIDE) WARNING

DANGER:

CO₂ displaces oxygen. Strict attention **MUST** be observed in the prevention of CO₂ gas leaks in the entire CO₂ and soft drink system. If a CO₂ gas leak is suspected, particularly in a small area, **IMMEDIATELY** ventilate the contaminated area before attempting to repair the leak. Personnel exposed to high concentrations of CO₂ gas experience tremors which are followed rapidly by loss of consciousness and **DEATH**.

MOUNTING IN OR ON A COUNTER

WARNING:

When installing the unit in or on a counter top, the counter must be able to support a weight in excess of **580 lbs.** to insure adequate support for the unit. **FAILURE TO COMPLY COULD RESULT IN SERIOUS INJURY, DEATH OR EQUIPMENT DAMAGE.**

NOTE: Many units incorporate the use of additional equipment such as ice makers. When any additional equipment is used, you must check with the equipment manufacturer to determine the additional weight that the counter will need to support to ensure a safe installation.

POWER AND WATER

Power

The JT20D requires a 120 Volt, 60Hz grounded receptacle for proper operation, grounding and safety.

NOTE: If the colors of the wires in the main leads of this unit do not correspond with the colored marking identifying the terminals in your plug, process as follows.

The green and yellow wire **must** be connected to the terminal in the plug marked with one of the following indicators.

1. The Letter E
2. Colored Green
3. The Earth Ground Symbol
4. Colored Green and Yellow

The blue wire **must** be connected to the terminal in the plug marked with the letter N or colored blue.

The brown wire **must** be connected to the terminal in the plug marked with the letter L or colored Orange.

Power Cord

If a power cord is damaged, do not attempt to replace it. Take your unit to your nearest authorized service center for repair. A special tool is required to replace the cord.

Water



WARNING:

The water supply should be consistent with proper water quality standards (neutral ph of 7.0 to 8.0), and should not be connected to a water softener. Drink quality may be affected by poor water conditions. Water connections should be sized, installed and maintained according to federal, state and local laws.

NOTE: Unit should be filled from a potable water supply in accordance with federal, State, and Local codes. It is the operator's responsibility to ensure that the potable water supply is available.

NOTE: JetSpray dispensers confirm to the requirements of the model water Bylaws of 1986, SI 11476.

NOTE: All surfaces that come into contact with food or drinking water are constructed of food quality non-toxic materials, are non-corrosive, non-tainting and do not support the growth of bacteria.

OPERATING ADJUSTMENTS



WARNING:

Dangerous voltages are present within the unit even if the power switch is turned off. Before attempting any adjustments inside the machine, turn the machine off and unplug it from the electrical receptacle.



INTRODUCTION

The JT20D Dispenser is a counter top visual display action beverage dispenser. It is designed to dispense a variety of products.

It dispenses fruit juice, lemonade or other non-carbonated drinks.

SPECIFICATIONS

Power Cord

7 ft. w/ground connection (2.1 meters)

Size

16 in. Wide X 19 in. Long X 26.625 in. High (19.7 cm Wide X 48.3 cm Long X 67.7 cm High)

Beverage Bowl & Cover

Transparent, virtually unbreakable LEXAN® resin

Cabinet

Stainless steel and beige LEXAN® resin

Capacity

Over 10 US gallons; 40 liters

Refrigeration

Jet Spray 1/5 h.p. Hermetically Sealed System

Refrigerant

R134a Refrigerant - 5.08 ounces (144 grams)

Spray Drive and Fan Motor

No Oiling Required

Power Drive Magnet

Permanent INDOX Magnet

Net Weight

Base Only: 51 lbs. (23.1 kgs.)

Large Bowl: 7 lbs. (3.2 kgs.)

Shipping Weight

Base Only: 61 lbs. (27.7 kgs.)

Large Bowl: 10 lbs. (4.5 kgs.)

Carton Cube

Base Only: 4.8 cu. ft. (0.136 cu. m.)

Large Bowl: 1.7 cu. ft. (0.048 cu. m.)

Machine Clearance

6 inches - Rear

6 inches - Sides

Open - Top

Class of Windings

Compressor Motor - Class H (climatic rating: normal)

Condenser Fan Motor - Class B

Environment

Temperature

Operating: 60°F (16°C) to 110°F (43°C)

Storage: Above 20°F (-7°C) with bowl empty and dry.

Humidity: Below 95%

INSTALLATION AND OPERATING INSTRUCTIONS

SETTING UP YOUR JT20D

1. Set dispenser chassis in desired location. Dispenser should be level and located on a solid counter.
2. Be sure dispenser has adequate free space on both sides; approximately 3" away from any wall or obstruction.

CLEANING THE DISPENSER

1. Removing the push handles. See Figure 1.

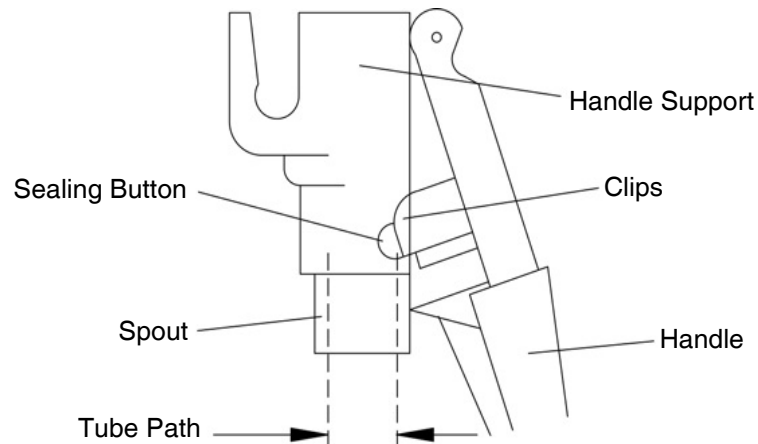


Figure 1.

- A. Push handle back until it stops.
 - B. Grasp the clips on the handle. Squeeze clips until they are free from the panel. Pull straight down on the handle.
2. Disassemble the bowl, lid, gasket, and pump housing assemblies.



CAUTION:

Abrasive cleaners scratches the plastic parts. DON'T USE abrasive cleaners.

To ASSEMBLE

1. Slide the drip tray with grill into place.
2. Consider installation of a drain hose which connects to the outlet on drip tray bottom (Part No. S-3379).
3. Turn bowl upside down and insert gasket into groove. Wet gasket for ease of insertion, pressing gasket into groove while following the number sequence (1 - 9) shown in Figure 2.

Press In Gasket
According to Sequence
Shown Until Gasket is
Completely Seated

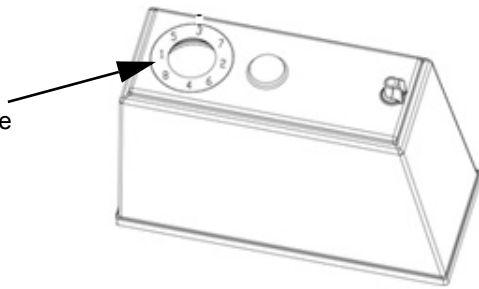


Figure 2.

4. Check that bowl spout gasket is mounted properly to the base assembly, as shown in Figure 3.

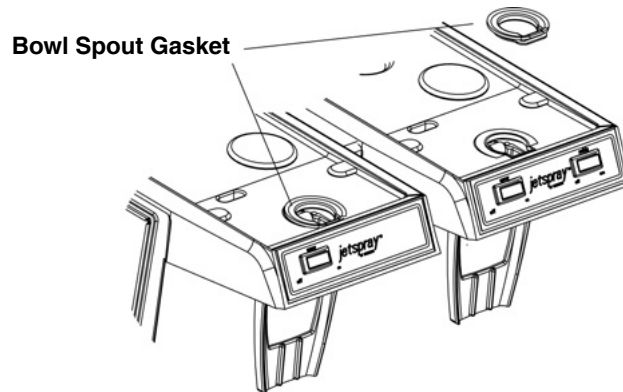


Figure 3.

5. Slide bowl over the cooling dome and assemble the bowl to the dispenser. Be careful not to wrinkle the gasket. If gasket is wrinkled, beverage will leak out of bowl. See Figure 4.

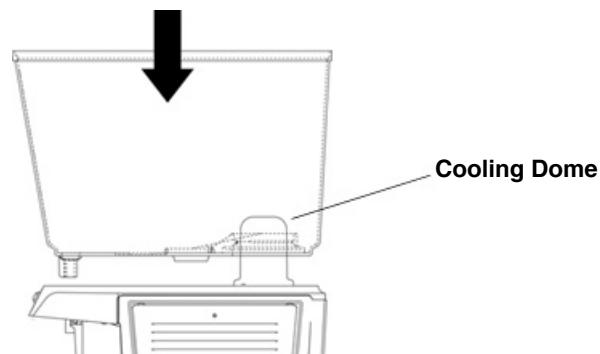


Figure 4.

6. For **pulpy** product Use propeller PN **S6737**. Place propeller in bowl insert as shown in Figure 5.



Figure 5.

7. Align propeller PN **S6737** as shown in Figure 6.

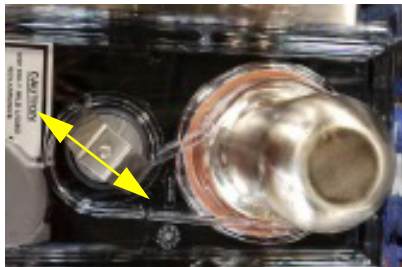


Figure 6.

8. For **foamy** product, use propeller PN **A1620**. Place propeller in bowl insert as shown in Figure 7. no special alignment required.



Figure 7.

9. Replace push handle and pinch tube.

- A. Push the handle assembly straight up through the rectangular hole until the clips snap into place see Figure 8.

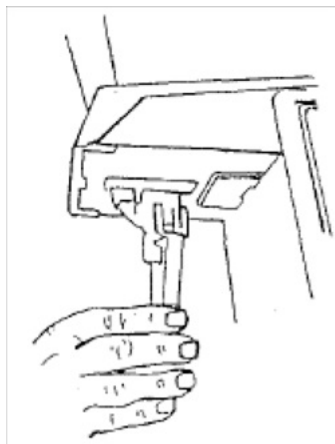


Figure 8.

- B. Remove pinch tube from the plastic bag and wash it.
- C. Before installing, wet the bowl spout surface and pinch tube. Push back the handle until it stops.
- D. Carefully insert pinch tube into the bowl spout opening and on into lower opening of the handle support spout. Make sure the end of the tube does not get caught on the edge above the handle support spout opening. Pull the end of the tube to seat it firmly into the bowl spout seat. Make sure the tube is free of wrinkles and extends below the support spout about a 1/4 inch See Figure 9.

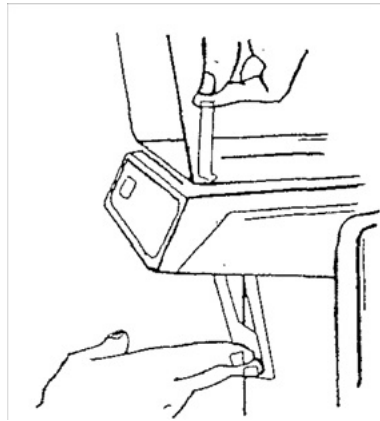


Figure 9.

OPERATING PROCEDURES

1. Follow beverage manufacturer's directions in filling bowls. To aid in filling, the bowls have gallon and liter markings up the center of the front wall. Gallons are on the left and liters are on the right.
2. Turn on the refrigeration and spray switches. Product should be cold enough to serve in 2 hours. Switches should be left **ON** 24 hours a day to insure efficient operation.

NOTE: If unit is to be used to dispense beverage from only one bowl, use right hand bowl, but add a gallon of water to left bowl to assure proper cooling.

3. The thermostat is preset at the factory and does not normally require resetting by owner.

FREQUENT MAINTENANCE PROCEDURES

CLEANING THE BOWLS

1. Before removing the bowls, turn off both the refrigeration and spray switches. Unplug the unit from its power source.
2. Drain any beverage left in the bowls.
3. Remove pinch tube by pushing handle until it stops. Pull up on the pinch tube until it is free, then remove the handle. Lift off the bowls, drip trays and covers. Clean them thoroughly.
4. Clean as described in “**Cleaning the Dispenser**” on page 4.
5. After cleaning, assemble as described in “**To Assemble**” on page 5. Replace the push handle and insert the pinch tube into the bowls.

CLEANING THE CONDENSATE DRAINS

1. To remove the condensation drains, push in on the front panel, just under the drain and pull down with fingers, as shown in Figure 10.

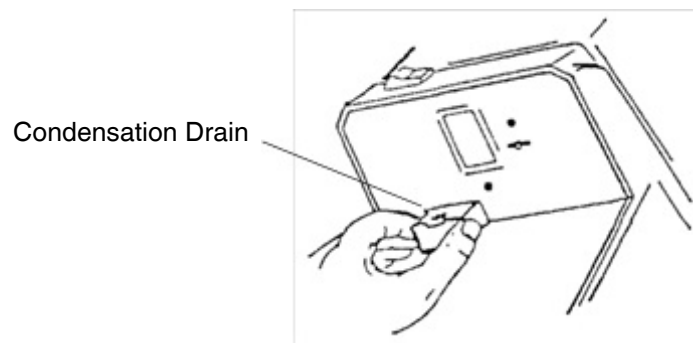


Figure 10.

2. To replace the condensate drains, hold the drain against the front panel under the rectangular hole (opening in side of drain should be toward front panel). Push up through the hole until the drain snaps into place see Figure 11.

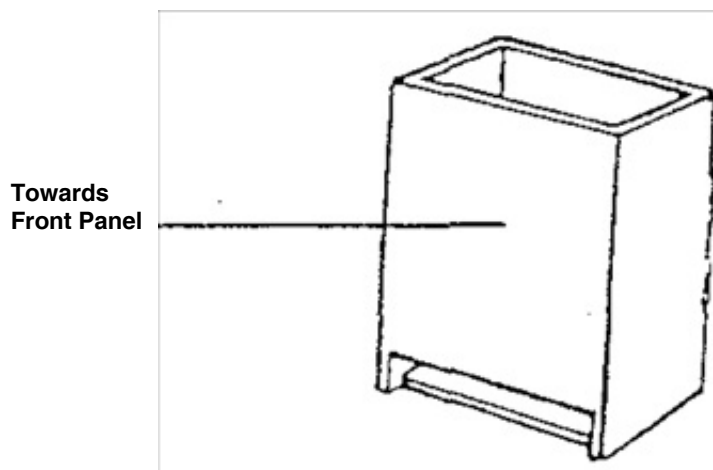


Figure 11.

SANITIZING THE UNIT

After cleaning, add one gallon of water at a temperature of between 75°F and 100°F to the bowl. Mix one tablespoon of approved powdered chlorine sanitizer* to a pint of water and when dissolved, pour into bowl.

Replace the lid and run the unit for two or three minutes. Shut off the unit and drain the contents through the pinch tube valve.

*Diversey - MultiChlor or equivalent powder or liquid sanitizer.

CAUTION:
DO NOT run the refrigeration system while sanitizing the unit.

VENTILATION

AIR FLOW IS ESSENTIAL TO THE OPERATION OF THE UNIT. ALLOW AT LEAST 3 INCHES OF SPACE ON THE BACK AND SIDE OF THE DISPENSER. LINT OR DUST COLLECTING ON THE CONDENSER RESULTS IN POOR REFRIGERATION.

CLEANING THE CONDENSER

1. Turn off the Refrigeration Switch.
2. Remove the right side panel. Clean filter(s) by running a stream of hot water through the inside surface of filter(s) and allow them to dry. Filter(s) should be replaced, if necessary. (See Parts List).
3. Clean the condenser with vacuum cleaner or brush, making sure no loose dirt goes into the dispenser.
4. Clean and replace the panels.

BOWL LEAKS

1. Do not confuse drippings from condensation on the outside of the bowl as bowl or faucet leaks. High humidity causes condensation on the bowls.
2. Be sure gasket has been installed properly. Check gasket for tears or cuts in the rubber. Tears cause leaks in the gasket.
3. Remove and inspect pinch tube for holes.

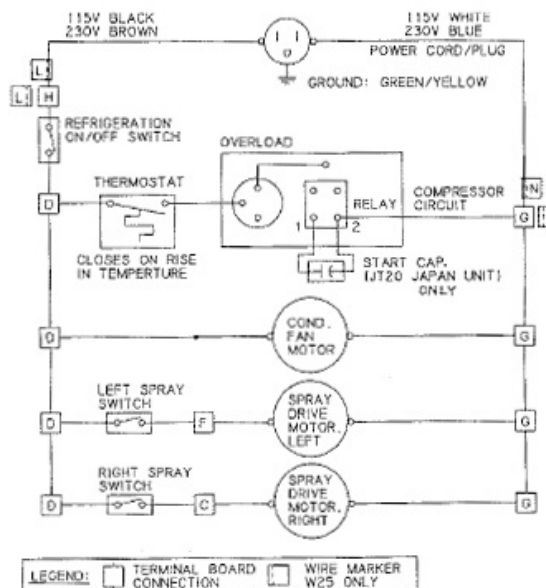


Figure 12. Model JT20D Wiring Diagram (Rev 8)

Cornelius Inc.
www.cornelius.com