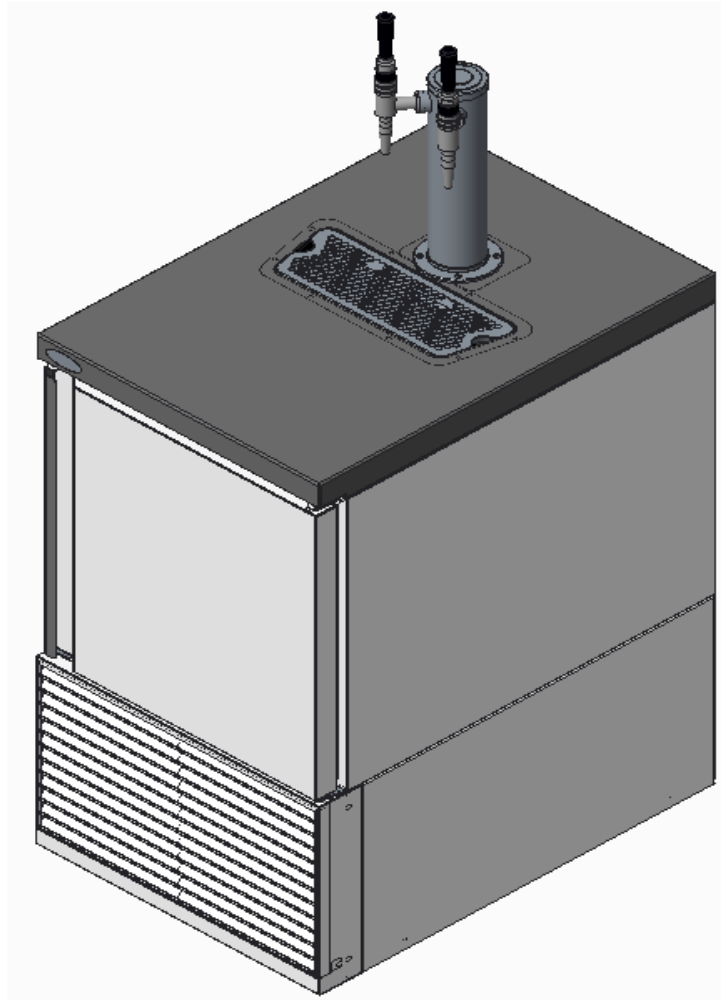


---

## NITRO CNB BIB

### IPL Manual



**Release Date:**

**Publication Number:** 621058723IPL

**Revision Date:** Dec 27, 2017

**Revision:** 1

Visit the Cornelius web site at [www.cornelius-usa.com](http://www.cornelius-usa.com) for all your Literature needs.

---

The products, technical information, and instructions contained in this manual are subject to change without notice. These instructions are not intended to cover all details or variations of the equipment, nor to provide for every possible contingency in the installation, operation or maintenance of this equipment. This manual assumes that the person(s) working on the equipment have been trained and are skilled in working with electrical, plumbing, pneumatic, and mechanical equipment. It is assumed that appropriate safety precautions are taken and that all local safety and construction requirements are being met, in addition to the information contained in this manual.

This Product is warranted only as provided in Cornelius' Commercial Warranty applicable to this Product and is subject to all of the restrictions and limitations contained in the Commercial Warranty.

Cornelius will not be responsible for any repair, replacement or other service required by or loss or damage resulting from any of the following occurrences, including but not limited to, (1) other than normal and proper use and normal service conditions with respect to the Product, (2) improper voltage, (3) inadequate wiring, (4) abuse, (5) accident, (6) alteration, (7) misuse, (8) neglect, (9) unauthorized repair or the failure to utilize suitably qualified and trained persons to perform service and/or repair of the Product, (10) improper cleaning, (11) failure to follow installation, operating, cleaning or maintenance instructions, (12) use of "non-authorized" parts (i.e., parts that are not 100% compatible with the Product) which use voids the entire warranty, (13) Product parts in contact with water or the product dispensed which are adversely impacted by changes in liquid scale or chemical composition.

### **Contact Information:**

To inquire about current revisions of this and other documentation or for assistance with any Cornelius product contact:

**[www.cornelius.com](http://www.cornelius.com)**

**800-238-3600**

### **Trademarks and Copyrights:**

This document contains proprietary information and it may not be reproduced in any way without permission from Cornelius.

This document contains the original instructions for the unit described.

CORNELIUS INC  
101 Regency Drive  
Glendale Heights, IL  
Tel: + 1 800-238-3600

Printed in U.S.A.

### **Correct Disposal of this Product**



**RECYCLE**

This marking indicates that this product should not be disposed with other household wastes throughout the EU. To prevent possible harm to the environment or human health from uncontrolled waste disposal, recycle it responsibly to promote the sustainable reuse of material resources. To return your used device, please use the return and collection systems or contact the retailer where the product was purchased. They can take this product for environmental safe recycling.



# TABLE OF CONTENT

|  |    |
|--|----|
| Top Level Assy 621058723 .....                     | 1  |
| False Top Assy .....                               | 2  |
| Door Assy .....                                    | 3  |
| Front Grill & Refrigeration Cabinet Assembly ..... | 4  |
| Cabinet Assy .....                                 | 5  |
| BIB Infusion Sub Assy 620066897 .....              | 6  |
| Refrigeration System .....                         | 7  |
| Ice Bank Sub Assembly 740002241 .....              | 9  |
| Tubing For Cabinet Assy .....                      | 10 |
| Hardware .....                                     | 11 |
| Tubing .....                                       | 11 |
| Harness .....                                      | 12 |
| Accessories List .....                             | 13 |

# TOP LEVEL ASSY 621058723

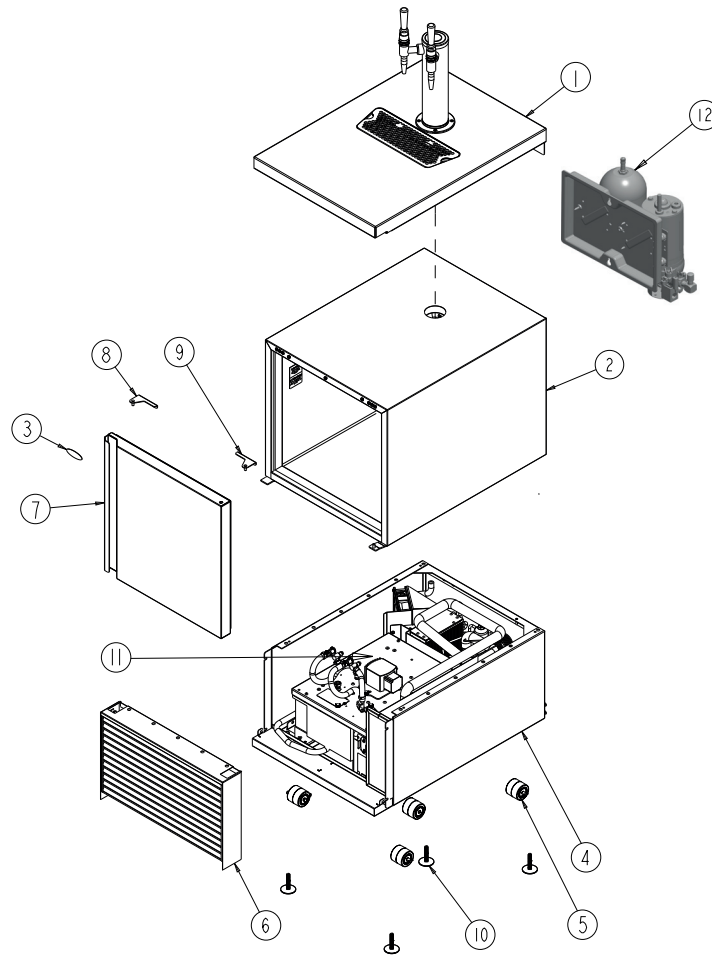


Figure 1

| ITEM NO | PART NUMBER | DESCRIPTION                      |
|---------|-------------|----------------------------------|
| 1.      | XXXX        | False Top Assembly               |
| 2.      | XXXX        | Cabinet Assembly                 |
| 3.      | 188045000   | Medallion Cornelius 2.578 Lgfs   |
| 4.      | XXXX        | Refrigeration System             |
| 5.      | 620067085   | Wheel Roller                     |
| 6.      | XXXX        | Front Grill Assembly             |
| 7.      | XXXX        | Door Assembly                    |
| 8.      | 620067211   | Brkt Top Door Hinge Left         |
| 9.      | 620067065   | Brkt Top Door Hinge Right        |
| 10.     | 620067086   | Leg-level 3/8-16 X 2.25          |
| 11.     | 620067214   | System CNB Sliding Tray Assembly |
| 12.     | 620068154   | Water booster pump               |
| *       | 620069613   | Clip, Water booster pump         |

\* Not Shown

# FALSE TOP ASSY

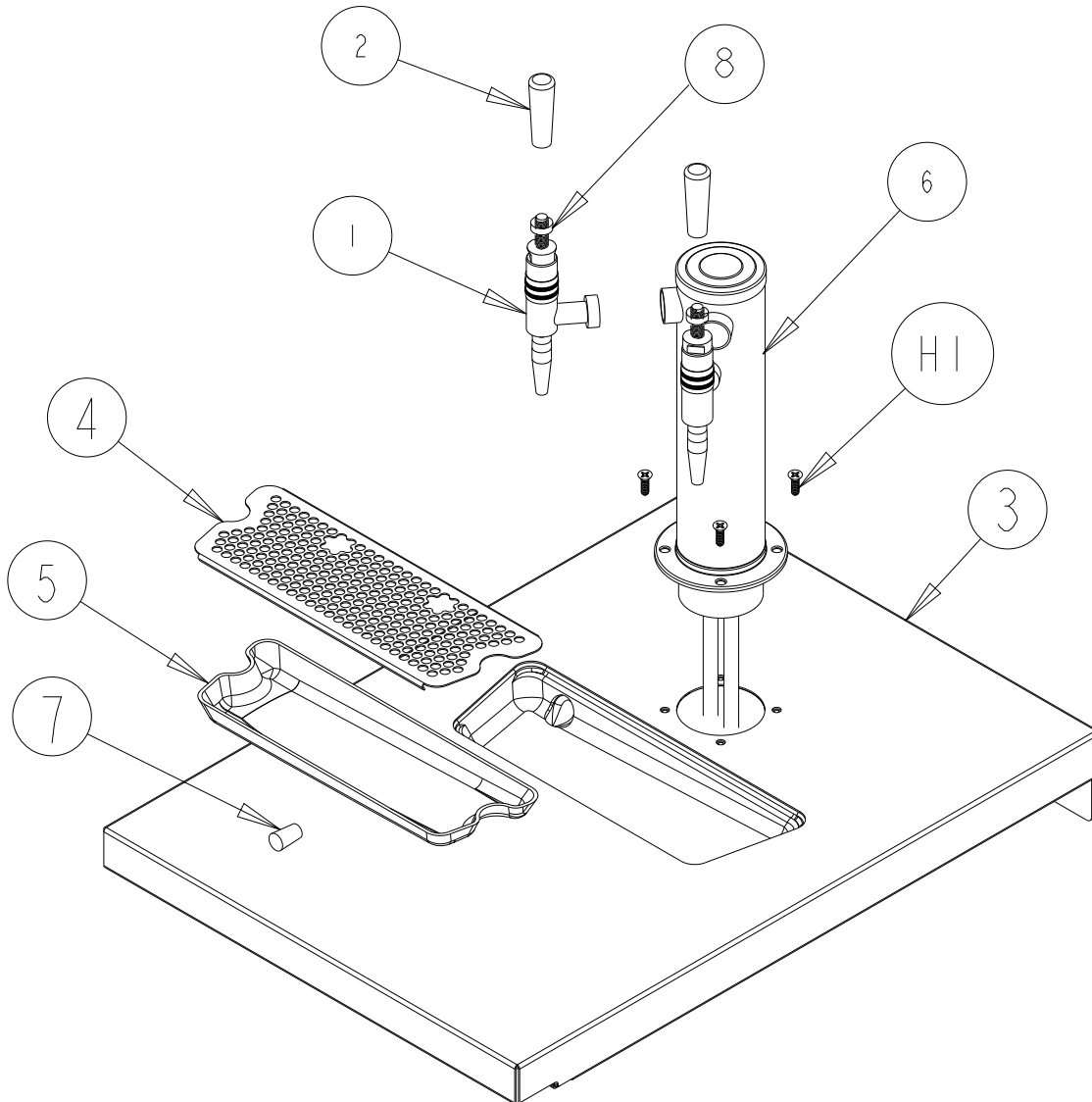


Figure 2

| ITEM NO | PART NUMBER | DESCRIPTION                             |
|---------|-------------|---|
| 1.      | 620063846   | Val Stout And Ale SS Tap                |
| 2.      | 620065669   | Handle, Black Tap 3/8-16 UNC            |
| 3.      | 620067058   | Foam-pack 20" Panel Top                 |
| 4.      | 620067105   | Drip-tray 2 Fau Drain Grate             |
| 5.      | 620067106   | Drip-tray Insert                        |
| 6.      | 620068157   | Tower 2 Fau Ssp Water Cooled Chill-rite |
| 7.      | 620068464   | Plug Tapered Round Rubber Plug          |
| 8.      | 620069701   | Collar Cap                              |
| *       | 620067013   | O-Ring, Nozzle                          |

\*Not Shown

# DOOR ASSY

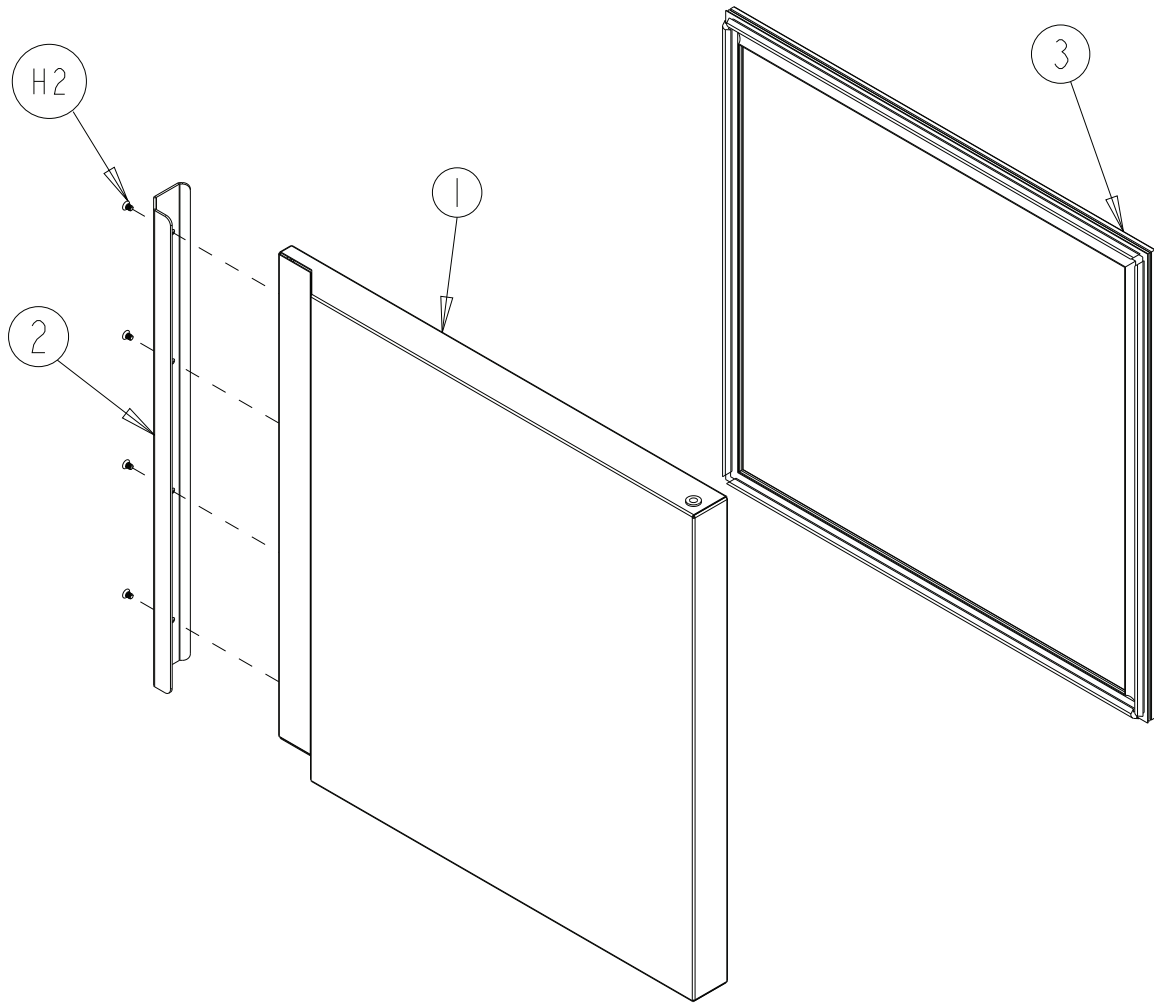


Figure 3

| ITEM NO | PART NUMBER | DESCRIPTION              |
|---------|-------------|--------------------------|
| 1.      | 620067066   | Door 20" Foamed Assembly |
| 2.      | 620067072   | Handle Door              |
| 3.      | 620067125   | Seal CNB Door Gasket     |

# FRONT GRILL & REFRIGERATION CABINET ASSEMBLY

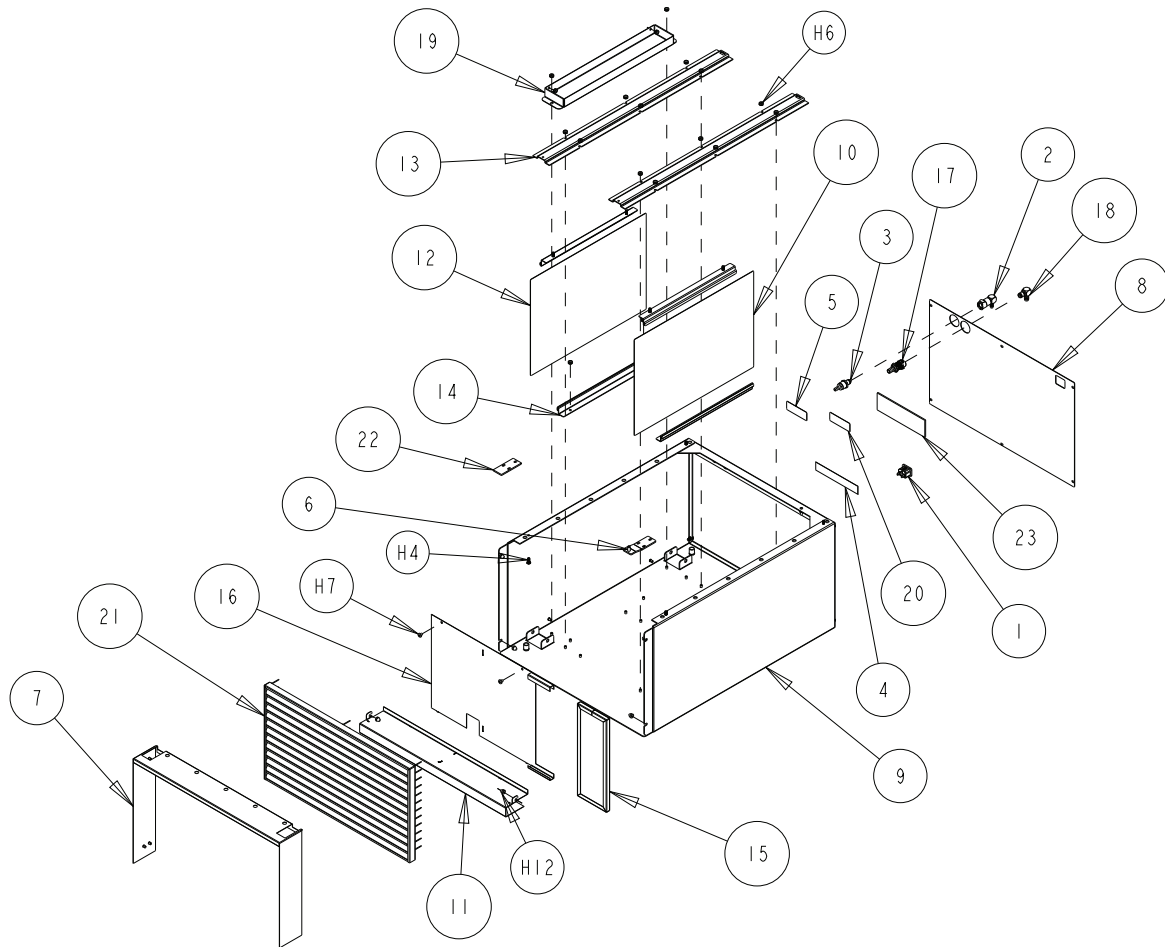


Figure 4

| ITEM NO | PART NUMBER | DESCRIPTION                               |
|---------|-------------|---|
| 1.      | 4345        | Receptacle Push-in 125/230V CE            |
| 2.      | 620056765   | Fitg L-barb 1/4 X Qd Valved Body          |
| 3.      | 620063841   | Fitg Barb 1/4 X Qd Pm Insert              |
| 4.      | 620065896   | Label Electric Shock And Disconnect Power |
| 5.      | 620066894   | Label Nitrogen Input Pressure             |
| 6.      | 620067064   | Brkt Bottom Door Hinge                    |
| 7.      | 620067073   | Panel Accs Front Panel Cover              |
| 8.      | 620067075   | Panel Accs Rear Panel Cover               |
| 9.      | 620067079   | Brkt Bottom Base                          |
| 10.     | 620067080   | Brkt Inlet Duct                           |
| 11.     | 620067081   | Brkt Air Filter Inlet                     |

| ITEM NO | PART NUMBER | DESCRIPTION                        |
|---------|-------------|------------------------------------|
| 12.     | 620067082   | Brkt Outlet Duct                   |
| 13.     | 620067208   | Brkt Bottom Rail                   |
| 14.     | 620067209   | Brkt Top Air Ducts                 |
| 15.     | 620067210   | Filter Air Ez Kleen Aluminum Frame |
| 16.     | 620067219   | Panel Accs Air Filter              |
| 17.     | 620067408   | Fitg Barb 3/8 X Qd Pm Body         |
| 18.     | 620067409   | Fitg L-barb 3/8 X Qd Insert        |
| 19.     | 620067511   | Drip-tray CNB Overflow             |
| 20.     | 620068148   | Label Water Input Pressure 90psi   |
| 21.     | 620068165   | Grille CNB Bib                     |
| 22.     | 620068170   | Brkt Bottom Door Cover Plate       |
| 23.     | 620919383   | Label Caution "Moving Parts Crush" |

# CABINET ASSY

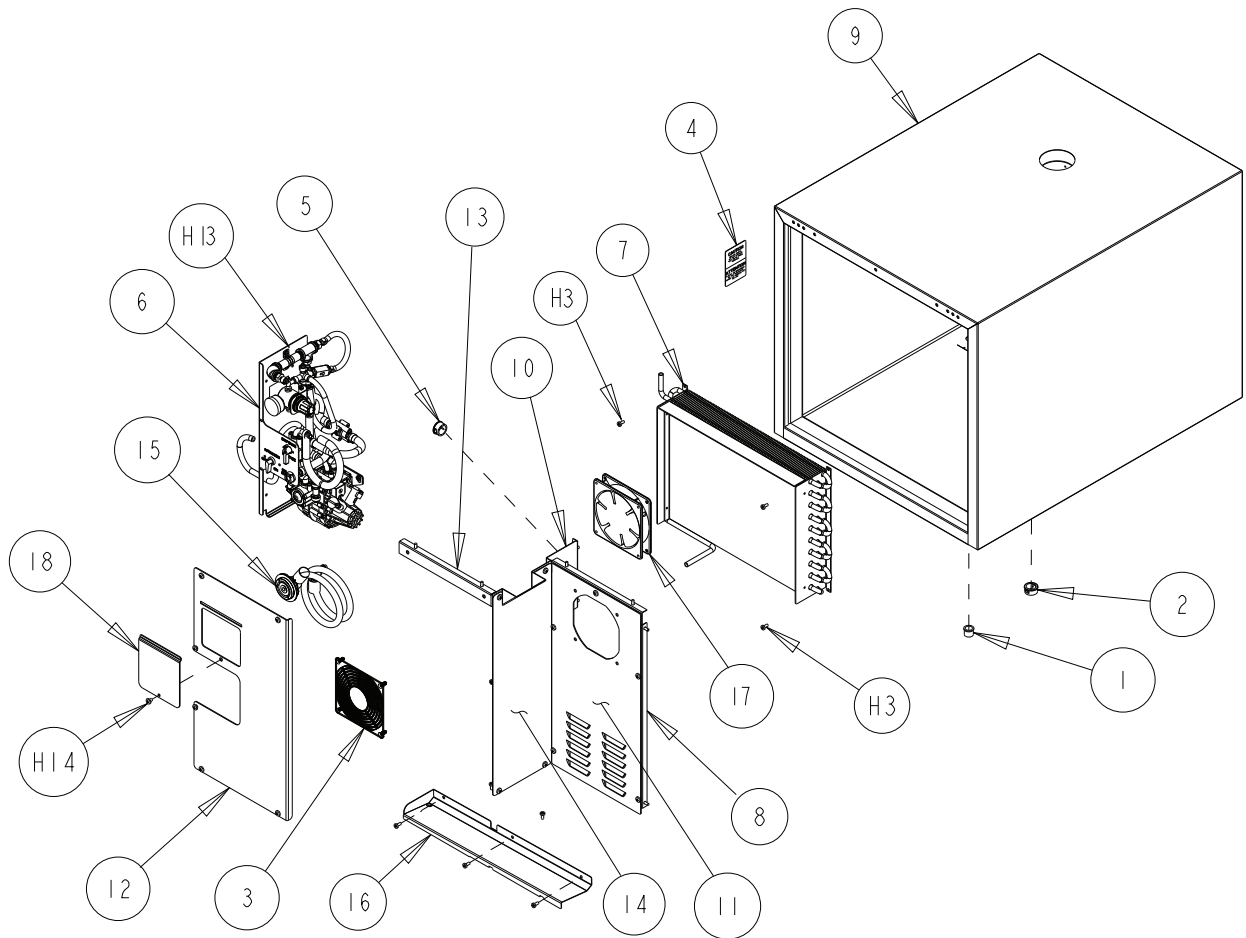


Figure 5

| ITEM NO | PART NUMBER | DESCRIPTION                         |
|---------|-------------|-------------------------------------|
| 1.      | 07339010    | Bushing                             |
| 2.      | 320389000   | Bushing Snap 875H 687ID             |
| 3.      | 620047512   | Guard Fan EBM 9000 & 4000 Series    |
| 4.      | 620059684   | Label - Caution - Moving Parts      |
| 5.      | 320389000   | Bushing Snap 875H 687ID             |
| 6.      | 620066897   | Box Assembly BIB Infusion           |
| 7.      | 620067078   | Coil Water Recirculation            |
| 8.      | 620067088   | Brkt Cabinet Right Side Panel Mount |
| 9.      | 620067090   | Foam-pack CNB Cabinet Assembly      |

| ITEM NO | PART NUMBER | DESCRIPTION                           |
|---------|-------------|---------------------------------------|
| 10.     | 620067122   | Brkt Middle Divider                   |
| 11.     | 620067123   | Panel Splash RH Cabinet               |
| 12.     | 620067203   | Panel Splash LH Cabinet               |
| 13.     | 620067205   | Brkt Cabinet Top Panel Mount          |
| 14.     | 620067218   | Panel Splash Middle Cabinet           |
| 15.     | 620067410   | Hose Assembly                         |
| 16.     | 620067510   | Drip-tray Recirculation Coils         |
| 17.     | 720506104   | Fan-Assy 115/60/50 4.7x4.7x1.0 14/12W |
| 18.     | 620068155   | Panel Accs Nitrogen Regulator         |



# BIB INFUSION SUB ASSY 620066897

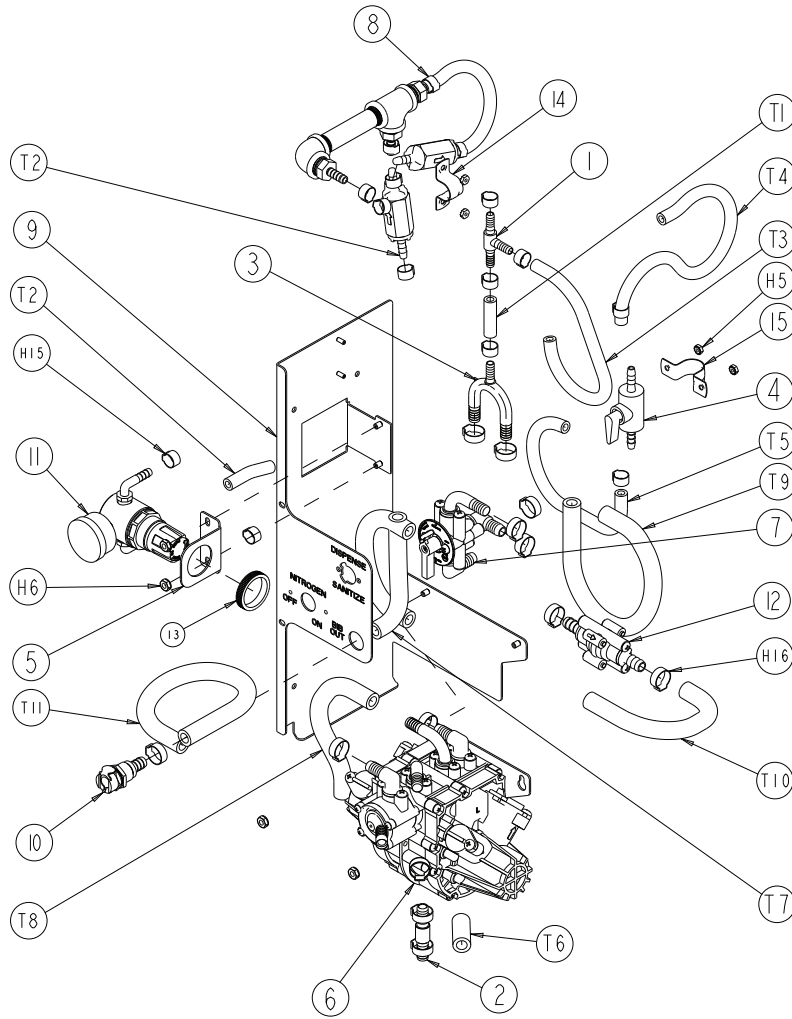


Figure 6

| ITEM NO | PART NUMBER | DESCRIPTION                          |
|---------|-------------|--------------------------------------|
| 1.      | 77060100    | Fitg T-brb 1/4 (3) SS                |
| 2.      | 77060900    | Fitg T-brb 3/8 (3) SS                |
| 3.      | 77900201    | Fitg U-brb 3/8(2) X 1/4 Brb SS       |
| 4.      | 325012000   | Valve Shut-off 1/4 Barb Plstc        |
| 5.      | 620064644   | Brkt Mtg N <sub>2</sub> Sec Reg Assy |
| 6.      | 620066896   | Pump Brix 5:1 Ratio                  |
| 7.      | 620067103   | Val-three Way Sanitation             |
| 8.      | 620067129   | Fitg-asy Sparger                     |
| 9.      | 620067217   | Brkt Cabinet Left Side Panel Mount   |
| 10.     | 620067408   | Fitg Barb 3/8 X QD Pm Body           |
| 11.     | 620067881   | Reg Miniature Precise Assy 60psig    |
| 12.     | 620068146   | Valve Chk Reverse Flow Inhibitor     |
| 13.     | 620064652   | Nut 1-3/16"-18 UNF Plastic           |
| 14.     | 620065853   | Clamp 11/16" ID Galv ID Pipe         |
| 15.     | 620065859   | Clamp 13/16" ID Galv ID              |

# REFRIGERATION SYSTEM 620067214

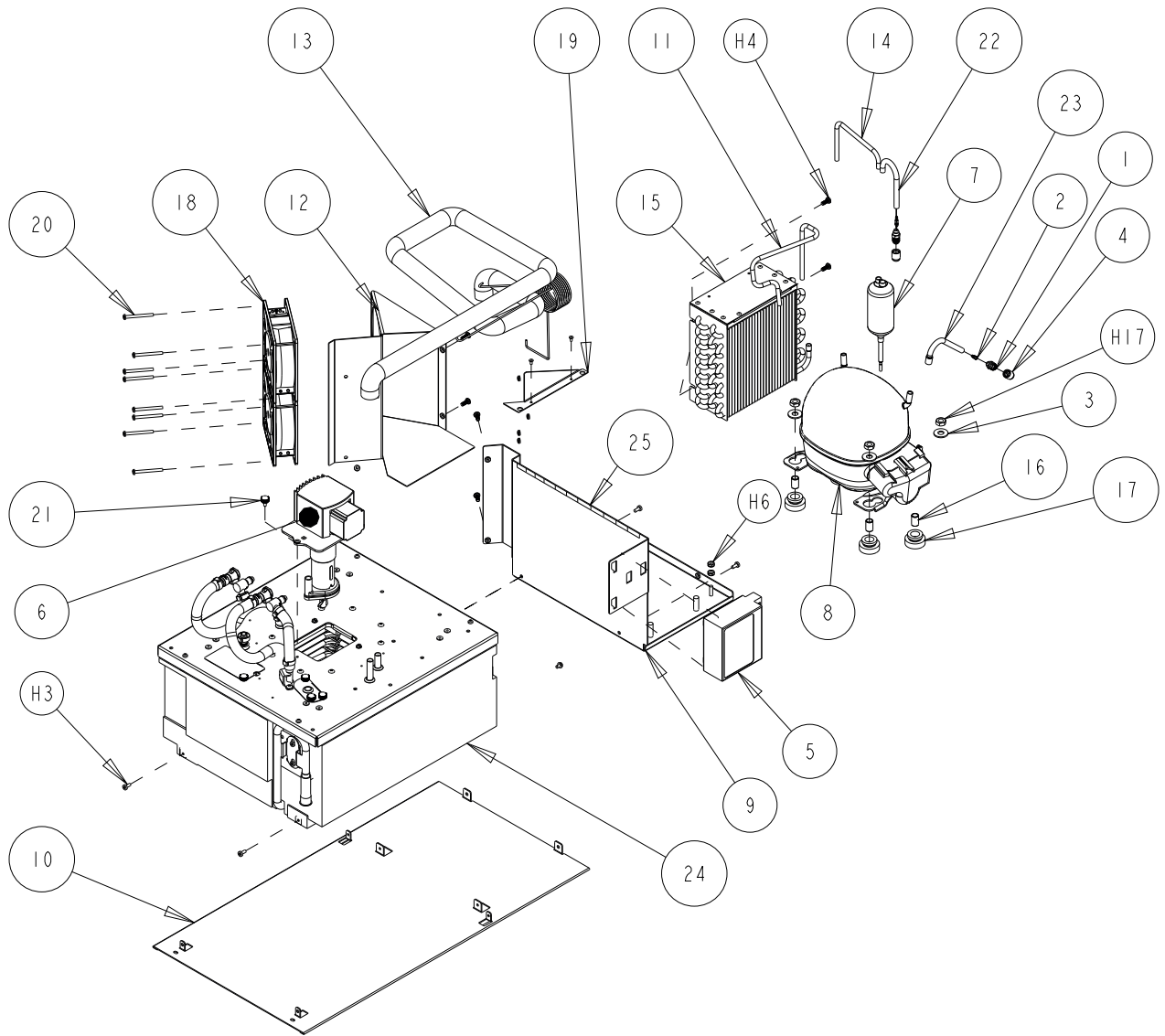


Figure 7

| ITEM NO | PART NUMBER | DESCRIPTION                           |
|---------|-------------|---------------------------------------|
| 1.      | 20654       | Val Acs                               |
| 2.      | 21214       | Val Core Fs                           |
| 3.      | 70070       | Wshr-ft-a031-0375-0875-070-st- Zn     |
| 4.      | 315499000   | Cap Quick Seal 1/4                    |
| 5.      | 440000911   | Control Ice Bank Global 100/240V SMPS |
| 6.      | 620042742   | Agitator Motor Assembly 115V Questitg |
| 7.      | 620047114   | Dryer 2 Cu Infilter Dryer             |
| 8.      | 620058690   | Comp 115v/60hz Qst 2/4FL Tcmseh       |
| 9.      | 620067063   | Brkt Evap Comp Assembly               |
| 10.     | 620067077   | Brkt Tray Assembly                    |
| 11.     | 620067124   | Line Disch CNB BIB                    |
| 12.     | 620067213   | Brkt Cond Fan Mount                   |
| 13.     | 620067406   | Line Suct CNB BIB                     |
| 14.     | 620067514   | Line Liq CNB BIB                      |
| 15.     | 620068149   | Cond-asy CNB BIB Refrigeration        |
| 16.     | 620068358   | Sleeve Compressor 315 ID              |
| 17.     | 620068359   | Grommet Compressor Isolator           |
| 18.     | 620068367   | Fan Orion Ac 120V 3A 110CFM           |
| 19.     | 620068455   | Brkt Fan Shroud Cover                 |
| 20.     | 630901579   | Screw Ma 08-32 Paph 56 SS             |
| 21.     | 720500069   | Screw Sm 08-32 Thmb 12 SS             |
| 22.     | 720502004   | Tube Formed Line Process Quest        |
| 23.     | 740001845   | Comp Process Tube Qstfl               |
| 24.     | 740002241   | Cover Tank Assy 4FL Gen2 BIB Nitro    |
| 25.     | 620712019   | Grommet Flexible Black 0.085          |

## ICE BANK SUB ASSEMBLY 740002241

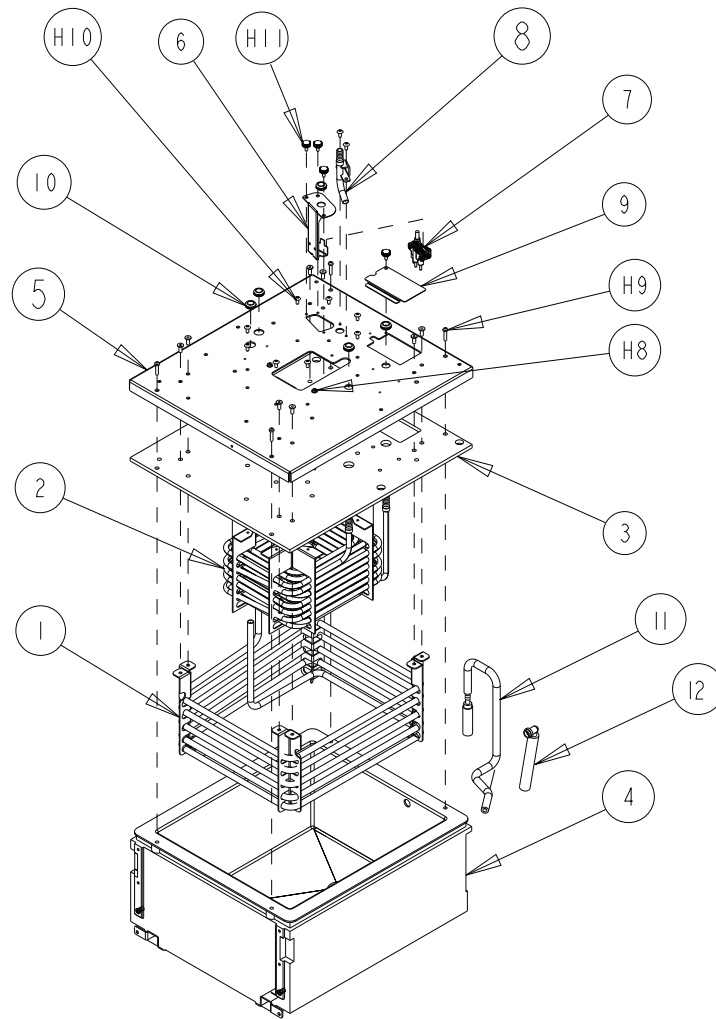


Figure 8

| ITEM NO | PART NUMBER | DESCRIPTION                                |
|---------|-------------|--|
| 1.      | 620048911   | Evaporator Coil                            |
| 2.      | 620048929   | Coil Water Asy                             |
| 3.      | 620048951   | Cover Insulation Water Tank                |
| 4.      | 620049093   | Tank Foam Qste Finish                      |
| 5.      | 620049096   | Cover Tank W/Iceprobe Cutout               |
| 6.      | 620051426   | Brkt Mtg Ice Probe Queste                  |
| 7.      | 620607112   | Probe Ice Bank GCC W/clip                  |
| 8.      | 620051410   | Tube Extension Asy Qst Elite 4FL           |
| 9.      | 720201615   | Plate Cover                                |
| 10.     | 720509224   | Grommet 3/8" ID X 1/2" Grv Dia X 3/32" Grv |
| 11.     | 620049039   | Fitting, Water Tank, Qst2                  |
| 12.     | 620720620   | Fitg-drain Qst 2 & 4                       |
| *       | 630800068   | S-wrap 300-15                              |

\* Not Shown

# TUBING FOR CABINET ASSY

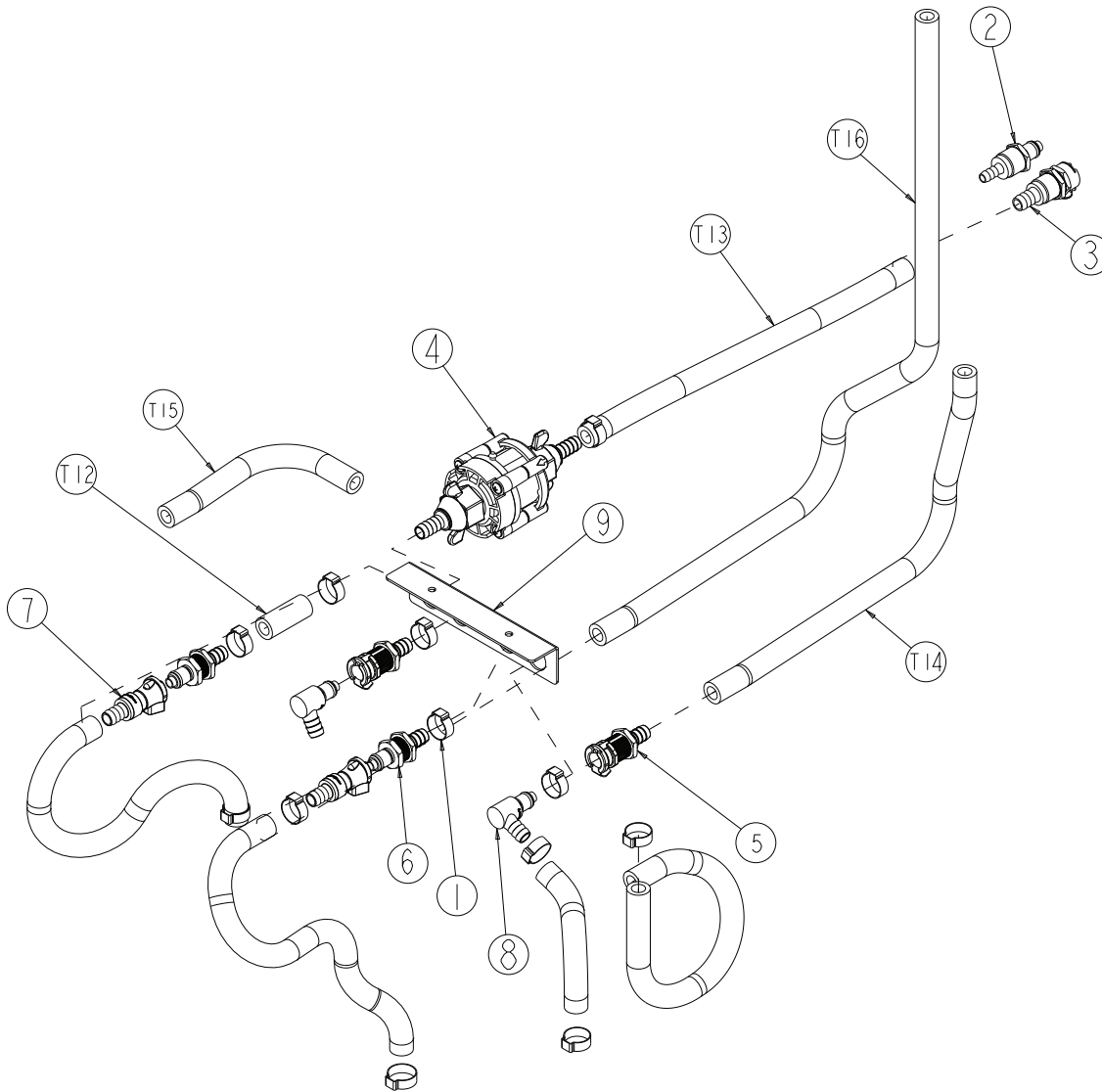


Figure 9

| ITEM NO | PART NUMBER | DESCRIPTION                                |
|---------|-------------|--|
| 1.      | 3309852000  | Clamp Oetr 669open Stpls #17.0             |
| 2.      | 620063841   | Fitg Barb 1/4 X Qd Pm Insert               |
| 3.      | 620067408   | Fitg Barb 3/8 X Qd Pm Body                 |
| 4.      | 620068145   | Valve Fixed 50psi Water                    |
| 5.      | 620068159   | Fitg Barb 3/8 X Qd Pm Body Valved Acetal   |
| 6.      | 620068160   | Fitg Barb 3/8 X Qd Pm Insert Valved Acetal |
| 7.      | 620068162   | Fitg Barb 3/8 X Qd Body Val                |
| 8.      | 620068161   | Fitg L-barb 3/8 X Qd Insert                |
| 9.      | 620068156   | Brkt Water Bath Panel Mount                |

## HARDWARE

| ITEM NO | CORNELIUS PART NO. | DESCRIPTION                          |
|---------|--------------------|--------------------------------------|
| H1      | 620065854          | Screw Ma 10-24 X 1/2 Fh SS W/dr      |
| H2      | 620061954          | Screw Ma 08-32 Flph 08 SS            |
| H3      | 70203              | Screw Sm 08 Ta Trph 12 SS            |
| H4      | 620064386          | Screw Ma 10-32 Paph 16 SS W/ Dr1-loc |
| H5      | 164083001          | Nut Hex 06-32 Stz1 Lock Fs           |
| H6      | 321811000          | Nut Hex 10-32 Stz1 Keps              |
| H7      | 400329             | Scr 10-32x1/4 Tap PHD PHR            |
| H8      | 289521             | Screw- #8-32x3/8 Type "F" Hhs Znc    |
| H9      | 0702609            | Screw Ma 08-32 Bdph 24 SS            |
| H10     | 07115001           | Screw Tf 08-32 Trph 12 SS            |
| H11     | 720500069          | Screw Sm 08-32 Thmb 12 SS            |
| H12     | 638007229-01       | Nut Acrn 10-32 SS Center Lock        |
| H13     | 620065853          | Clamp 11/16" Id Galvid Pipe          |
| H14     | 638007051-01       | Screw Ma 10-32 Bdph 08 SS            |
| H15     | 312926000          | Clamp 484 Open Stpls #12.3           |
| H16     | 309852000          | Clamp 669 Open Stpls #17.0           |
| H17     | 186146000          | Nut Hex 5/16-18 SS                   |

## TUBING

| ITEM NO | CORNELIUS PART NO | DESCRIPTION                            |
|---------|-------------------|--|
| T1      | 620063986-0012    | Tubg Cut 1.50" 1/4ID Reinforced Tygon  |
| T2      | 620063986-0020    | Tubg Cut 2.00" 1/4ID Reinf Tygon       |
| T3      | 620063986-0102    | Tubg Cut 10.50" 1/4ID Reinf            |
| T4      | 620063986-0122    | Tubg Cut 12.50" 1/4ID Reinforced Tygon |
| T5      | 620063986-0162    | Tubg Cut 16.50" 1/4ID Reinforced Tygon |
| T6      | 620068465-0012    | Tubg Cut 1.50" 3/8ID Reinforced Tygon  |
| T7      | 620068465-0050    | Tubg Cut 5.00" 3/8ID Reinforced Tygon  |
| T8      | 620068465-0062    | Tubg Cut 6.50" 3/8ID Reinforced Tygon  |
| T9      | 620068465-0070    | Tubg Cut 7.00" 3/8ID Reinforced Tygon  |
| T10     | 620068465-0072    | Tubg Cut 7.50" 3/8ID Reinforced Tygon  |
| T11     | 620068465-0120    | Tubg Cut 12.00" 3/8ID Reinforced Tygon |
| T12     | 620068465-0020    | Tubg Cut 2.00" 3/8ID Reinforced Tygon  |
| T13     | 620068465-0111    | Tubg Cut 11.25" 3/8ID Reinforced Tygon |
| T14     | 620068465-0142    | Tubg Cut 14.50" 3/8ID Reinforced Tygon |
| T15     | 620068465-0160    | Tubg Cut 16.00" 3/8ID Reinforced Tygon |
| T16     | 620068465-0252    | Tubg Cut 25.50" 3/8ID Reinforced Tygon |

## HARNESS

| SL NO. | CORNELIUS PART NO. | DESCRIPTION               |
|--------|--------------------|---------------------------|
| 1.     | 620068363          | Harn Main Power           |
| 2.     | 620068365          | Harn Cabinet Cooling Fans |
| 3.     | 620067890          | Harn Comp To Cntr CNB     |
| 4.     | 620068362          | Harn Comp Fan             |
| 5.     | 620068364          | Harn Ice Bank Cntr Power  |

Not Shown In IPL

# ACCESSORIES LIST

|  |                                       |   |  |  |
|--|---------------------------------------|---|--|--|
| Drain and Drip Tray                            |                                       |   |  |  |
|  | <p>41460 - Barbed Fitting - 1 pc</p>  | <p>620065852 - Elbow Fitting - 1 pc</p>       | <p>50278 - Clear PVC Tubing - 120"</p>           |  |
|  |                                       |   |  |  |
|  | <p>620068464 - Rubber Plug - 1 pc</p> | <p>620067106 - Drip Tray Insert - 1 pc</p>    | <p>620067105 - Drip Tray Grate - 1 pc</p>        |  |
|  | Nitrogen Connection                   |   |  |  |
|  |                                       | <p>620056765 - Nitrogen QC Fitting - 1 pc</p> | <p>312926000 - #12.3 Oetiker Clamp - 10 pcs</p>  | <p>325012000 - Shut Off Valve - 1 pc</p> |
|  |                                       |   |  |  |
| <p>620063350 - Nitro Tank Regulator - 1 pc</p> |                                       | <p>620063351 - Tank Wrench - 1 pc</p>         | <p>620708933 - 1/4" ID Tygon Tubing - 120 in</p> |  |
|  |                                       |   |  |  |
| <p>77010100 - Flare Swivel Nut - 1 pc</p>      |                                       | <p>77010400 - Flare Stem Fitting - 1 pc</p>   |  |  |
| Taps   |                                       |   |  |  |
|  | <p>620063846 - Tap Valve - 2 pcs</p>  | <p>620065669 - Tap Handle - 2 pcs</p>         | <p>620066658 - Valve Wrench - 1 pc</p>           |  |
|  | Connectors                            |   |  |  |
| <p>620068457-001 - Power Cord - 1 pc</p>       |                                       | <p>620067410 - BIB Hose Assembly - 1 pc</p>   |  |  |



# ACCESSORIES LIST- COND

|   |  |  |  |  |
|---|--|--|--|--|
| Cleaning  | <br>620068460 - Cleaning Adapter - 1 pc | <br>620068462 - 1 Gal Bucket - 2 pcs                          |  |  |
|   | Water Connection   | <br>620068465-1200 - 3/8" ID Tubing - 120 in | <br>45371 - John Guest Barb Fitting - 1 pc      | <br>620068154 - Water Booster Pump - 1 pc                       |
| <br>620068750 - Compression Nut - 1 pc       |  | <br>620068749 - Compression Fitting - 1 pc                    | <br>309852000 - #17.0 Oetiker Clamp - 10 pcs  |  |
| <br>620067409 - Water Elbow Fitting - 1 pc |  |  |  |  |
| Conversion  |  | <br>620068463-0960 - Foam Seal - 96 in.                     | <br>620067086 - Leveling Leg - 4 pcs          | <br>620067211 - Top Left Door Bracket to Reverse Swing - 1 pc |
|   |  | Manuals  | <br>621058723INS - Installation Manual - 1 pc | <br>621058723INS - Operator's Manual - 1 pc                     |



**Cornelius Inc.**  
**[www.cornelius.com](http://www.cornelius.com)**