



## ENDURO 175

### POST-MIX ICE DRINK DISPENSER



## FEATURES

**Large ice capacity**- 175 lb. ice capacity

**Choices** - Available with 8 UFB-1™ sanitary lever or push button valves

**Merchandising** - Highly efficient LED illuminated merchandiser utilizing a brighter, longer lasting bulb, providing a high impact visual display

**Ice** - Gravity ice dispensing with positive shut-off provides excellent ice targeting  
Ice used to cool cold plate is separate from ice dispensed into cups

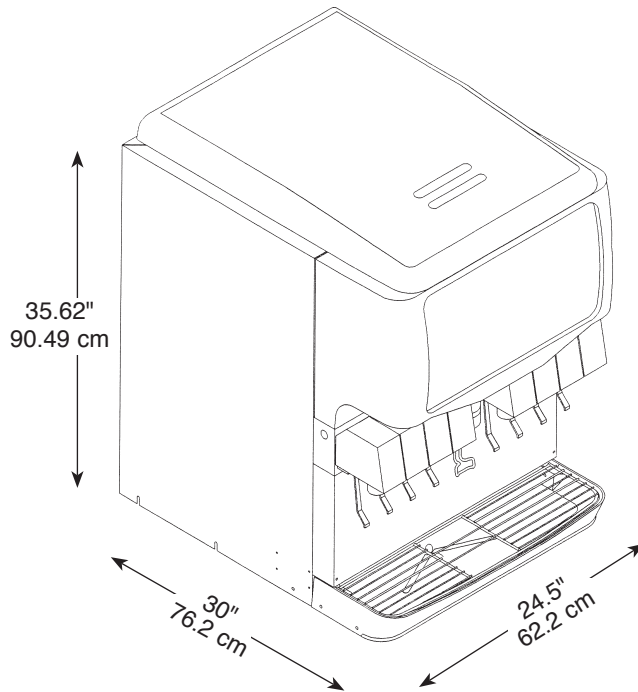
**Durable** – easily changes from carbonated to non-carbonated One piece ABS thermoformed plastic (Durabide™ design) provides durability and ensures all ice in hopper is dispensable

**Flexible** - Unit readily accepts top mount cubers with manual ice fill capability

**Quality** - Stainless steel cabinet

**Ease of Use** - Modular design allows for easy component access from the front of the unit

**TotalFlex™** – easily changes from carbonated to non-carbonated





PART NUMBER	DESCRIPTION
621052703	Enduro 175 Ice Drink Dispenser with 8 UFB-1™ 2-4 oz Sanitary Lever Valves
621052706	Enduro 175 Ice Drink Dispenser with 8 UFB-1™ 2-4 oz Push Button Valves
3470	Enduro 175 Dispenser Stand - Stainless Steel 30"H x 24.5"W x 30"D

\* If top mounting an ice maker, an ice maker adapter kit is required. Order separately.

## TECHNICAL SPECIFICATIONS

ICE STORAGE CAPACITY . . . . . 175 lb (79.38 kg)  
 BEVERAGE MANIFOLDING . . . . . TotalFlex  
 CUP CLEARANCE . . . . . 9.75" (24.76 cm)  
 COOLING CAPACITY . . . . . 10-12 oz drinks/min  
 @ 75°F  
 DRAIN CONNECTION . . . . . 0.75" PVC (NPT) or  
 1" ID flexible tubing  
 GRAPHIC SIZE . . . . . Overall:  
 11.083"H x 19.294"W  
 Viewable:  
 10.608"H x 18.67"W

STANDARD FEATURES . . . . . Beverage Key Switch,  
 timed agitation and  
 4" legs  
 ELECTRICAL RATING . . . . . 115 V / 60 Hz / 3 Amps  
 SHIPPING WEIGHT . . . . . 230 lb (104.33 kg)

AGENCY LISTINGS . . . . .     
 City of Los Angeles

