



# WCC-1400 CHUNKLET ICEMAKER



## FEATURES



### Features

- *Reliable – Makes high quality, dry chunklet ice that melts slower and can be reliably dispensed*
- *Large production capacity – Ideal for use in demanding, high volume applications*
- *Lower operating cost – Uses 100% of incoming water in ice making process*
- *Cost savings – Remote condenser model removes heat from building saving money on utility costs*
- *Quiet – No harvest cycle means less noise*
- *Ease of service – Front panel control box access*



### Environmentally Responsible

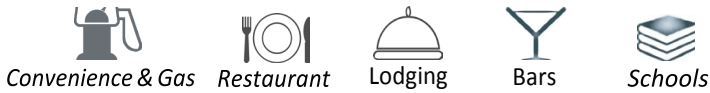
- *Exceeds 2018 Department of Energy regulations.*
- *Energy efficient: Uses CFC-free, R404A, R407A refrigerant.*
- *Water efficient : Uses 100% of water.*



### Durable

- *Ideal for foodservice & healthcare application.*
- *Corrosion-free, stainless steel exterior.*
- *Energy and water efficient.*

## APPLICATIONS



## SPECIFICATIONS

Model Number	Part Number	Description	Daily Ice Production per 24hrs	Electrical (V/Hz/Ph)	Energy* Usage	Refrigerant	Min Circuit	Charge Qty	Shipping Weight	BTUH
			70°F Air/50°F WATER							
WCC-1401R #	621058758	1401 SERIES MODULAR CHUNKLET, REMOTE COOLED	1350	208-230/60/1	4.88	R404A	30 amps	180 OZ 5103 gms	320 lb	18000
WCC-1400Rack R404A	621055130	1400 SERIES MODULAR CHUNKLET, R404A RACK SYSTEM ONLY	1100	115/60/1	NA	R404A	20 amps	NA	148 lb	NA
WCC-1400Rack R407A	621058681	1400 SERIES MODULAR CHUNKLET, R407A RACK SYSTEM ONLY	1100	115/60/1	NA	R407A	20 amps	NA	148 lb	NA
CR1101 #	621058768	REMOTE CONDENSOR CR1101	NA	208-230/60/1	NA	R404A	20 amps	10 OZ 283gms	110 lb	NA

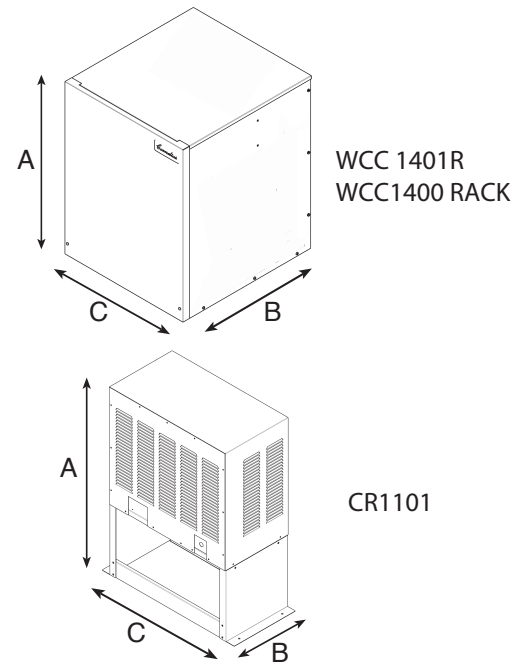
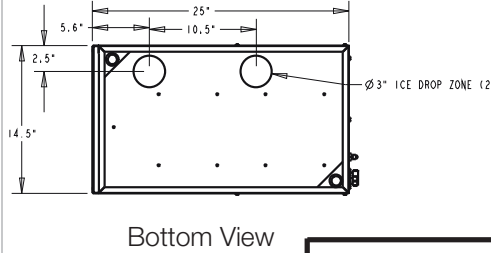
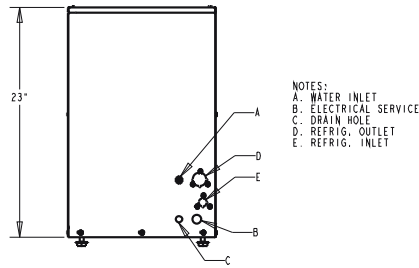
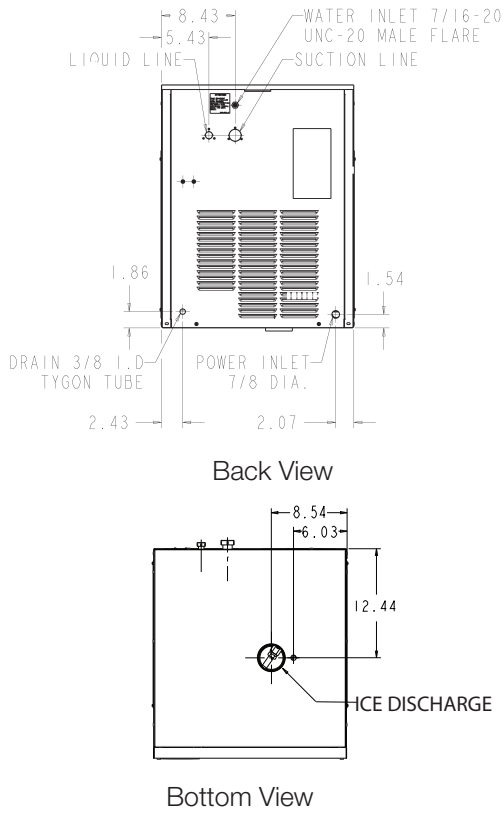
\* ENERGY USAGE FOR 100-lbs. OF ICE PRODUCTION

NA : NOT APPLICABLE

# 621058758 MUST BE USED IN COMBINATION WITH 621058768 ONLY

621058758

621055130 & 621058681



DIMENSIONS			
UNIT	A	B	C
621058758	27.8" (71 cm)	23.86" (61 cm)	22" (56 cm)
621055130 621058681	23" (58 cm)	25" (64 cm)	14.5" (36 cm)
621058768	26.5" (67 cm)	13.5" (34 cm)	28.5" (72 cm)

OPERATING REQUIREMENTS

	Min	Max
Ambient Air Temperature	50°F 10°C	104°F 40°C
Water Temperature	40°F 4°C	104°F 40°C
Water Pressure	10 psig 0.7 bar	90 psig 6.2 bar



Chunklet Cube Size for 621058758
0.75" H x 0.75" W x 0.5" D
19 mm x 19 mm x 13 mm



Chunklet Cube Size for 621055130 & 621058681
0.5" H x 0.5" W x 0.5" D
13 mm x 13 mm x 13 mm

Refrigerant	R404a , R407a
Listings	

Warrenty :- 2 years parts and limited labor  
3 years compressor

ACCESSORIES

- 1) Line set for 621058758 (WCC1401R)  
630900271:-LINESET REMOTE 404A 90DE 55' 3/8  
630900270:-LINESET REMOTE 404A 90DE 35' 3/8

2) Thermostat kit:-			
KIT P/N FOR 621058758	QTY	KIT P/N FOR 6621055130 & 621058681	QTY
1611110006843	1	629096848	2

3) Adaptor kits:-		
PRODUCT	KIT P/N for 621058758	KIT P/N for 621055130 & 621058681
a) Flavor Fusion /overload 255	629096944	629088671
b) IDC 215/255/Cold Fusion	629096829	662908867
c) ED/EF 150	629096784TE 629096787TE	NA
d) ED/EF 175	629096782TE 629096783TE	NA
e) ED/EF 200/250	629096785TE 629096788TE	629083801TE 629083803TE
f) ED/EF 300	629096786TE 629096789TE	NA
NA : NOT APPLICABLE		



IN THE U.S.A. Ph: 800.238.3600 Fax: 800.258.0255  
 OUTSIDE THE U.S.A Ph: 763.488.8200 Email: webmaster@cornelius.com  
 101 Broadway Street West Osseo, MN 55369 www.cornelius.com