



ICE DRINK DISPENSER STAND

FOR INTRAFLEX PLUS 150 AND PROFILE 150 PLUS



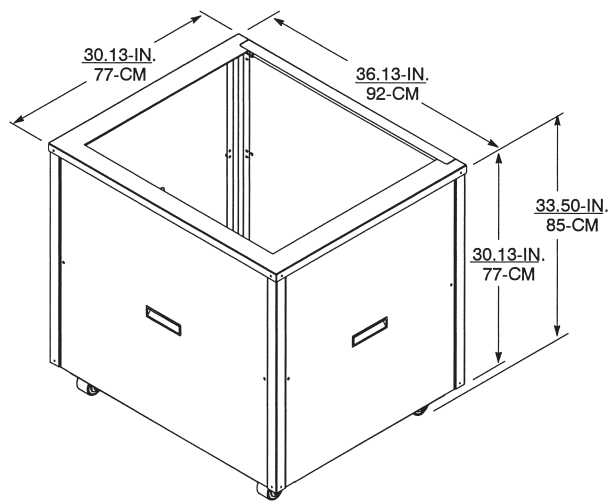
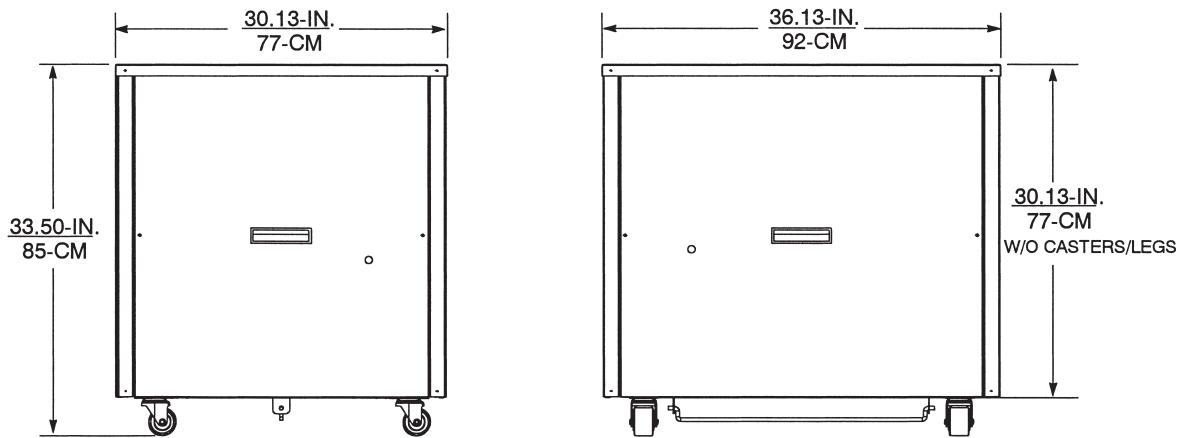
FEATURES

Durability - Stainless steel construction

Adjustable - Includes 3.5" casters

Ease of use - Removable side panels for service access

Easy Access - Beverage tubing support bracket opening for unit drain



TECHNICAL SPECIFICATIONS

PART NUMBER	DESCRIPTION
629087702	IntraFlex Plus 150 / Profile 150 stand for under counter ice drink dispenser only (will not accomodate UC700 ice maker) with 3.5" casters

