

VISUAL DISPLAY DISPENSER

OWNERS MANUAL

MODEL: EJ1



Release Date: September 1995

Publication Number: 18481

Revision Date: October 06, 2017

Revision: G

Visit the Cornelius web site at www.cornelius.com for all your Literature needs.

The products, technical information, and instructions contained in this manual are subject to change without notice. These instructions are not intended to cover all details or variations of the equipment, nor to provide for every possible contingency in the installation, operation or maintenance of this equipment. This manual assumes that the person(s) working on the equipment have been trained and are skilled in working with electrical, plumbing, pneumatic, and mechanical equipment. It is assumed that appropriate safety precautions are taken and that all local safety and construction requirements are being met, in addition to the information contained in this manual.

This Product is warranted only as provided in Cornelius' Commercial Warranty applicable to this Product and is subject to all of the restrictions and limitations contained in the Commercial Warranty.

Cornelius will not be responsible for any repair, replacement or other service required by or loss or damage resulting from any of the following occurrences, including but not limited to, (1) other than normal and proper use and normal service conditions with respect to the Product, (2) improper voltage, (3) inadequate wiring, (4) abuse, (5) accident, (6) alteration, (7) misuse, (8) neglect, (9) unauthorized repair or the failure to utilize suitably qualified and trained persons to perform service and/or repair of the Product, (10) improper cleaning, (11) failure to follow installation, operating, cleaning or maintenance instructions, (12) use of "non-authorized" parts (i.e., parts that are not 100% compatible with the Product) which use voids the entire warranty, (13) Product parts in contact with water or the product dispensed which are adversely impacted by changes in liquid scale or chemical composition.

Contact Information:

To inquire about current revisions of this and other documentation or for assistance with any Cornelius product contact:

www.cornelius.com

800-238-3600

Trademarks and Copyrights:

This document contains proprietary information and it may not be reproduced in any way without permission from Cornelius.

This document contains the original instructions for the unit described.

CORNELIUS INC
101 Regency Drive
Glendale Heights, IL
Tel: + 1 800-238-3600

Printed in U.S.A.

TABLE OF CONTENTS

Safety Instructions	1
Read and Follow all Safety Instructions	1
Safety Overview	1
Recognition	1
Different Types of Alerts	1
Safety Tips	1
Qualified Service Personnel	2
Safety Precautions	2
Shipping and Storage	2
Noise Level	2
General Description	3
Location	3
Power	3
Power Cord	3
Operating Adjustments	4
Specifications	5
Electrical	5
Class of Windings	5
Environment	5
Refrigeration (R134a refrigerant)	5
Other Specifications	5
Installation and Operating Instructions	6
Setting up your EJ1	6
Installation of Push Handle	6
Installation of Pinch Tube	6
Removing the Pinch Tube	8
Removing the Push Handle	8
Installation of Bowl and Tray	8
Assembling of the Impella & Spray Tube	8
Operating Procedures	9
Frequent Maintenance Procedures	10
Cleaning the Bowls	10
Sanitizing Unit	10
Ventilation	10
Cleaning the filter and Condenser	11
Correcting Dispenser Difficulties	11
No Spray Or Circulation	11

Bowl Leaks	11
Valve Leaks Or Compressed Pinch Tube	12
Installation of Bowl Circulator Kits	12
EJ1 Wiring Diagram	13

SAFETY INSTRUCTIONS

READ AND FOLLOW ALL SAFETY INSTRUCTIONS

Safety Overview

- Read and follow **ALL SAFETY INSTRUCTIONS** in this manual and any warning/caution labels on the unit (decals, labels or laminated cards).
- Read and understand ALL applicable OSHA (Occupational Safety and Health Administration) safety regulations before operating this unit.

Recognition



DIFFERENT TYPES OF ALERTS

DANGER:

Indicates an immediate hazardous situation, which if not avoided, **WILL** result in serious injury, death or equipment damage.

WARNING:

Indicates a potentially hazardous situation, which if not avoided, **COULD** result in serious injury, death, or equipment damage.

CAUTION:

Indicates a potentially hazardous situation, which if not avoided, **MAY** result in minor or moderate injury or equipment damage.

SAFETY TIPS

- Carefully read and follow all safety messages in this manual and safety signs on the unit.
- Keep safety signs in good condition and replace missing or damaged items.
- Learn how to operate the unit and how to use the controls properly.
- **Do not** let anyone operate the unit without proper training. This appliance is **not** intended for use by very young children or infirm persons without supervision. Young children should be supervised to ensure that they do not play with the appliance.
- Keep your unit in proper working condition and do not allow unauthorized modifications to the unit.
- The appliance must not be cleaned by a water jet.
- Cleaning and user maintenance should not be done by children without supervision.

NOTE:The dispenser is not designed for a wash-down environment and **MUST NOT** be placed in an area where a water jet could be used.

QUALIFIED SERVICE PERSONNEL

WARNING:

Only trained and certified electrical, plumbing and refrigeration technicians should service this unit. **ALL WIRING AND PLUMBING MUST CONFORM TO NATIONAL AND LOCAL CODES. FAILURE TO COMPLY COULD RESULT IN SERIOUS INJURY, DEATH OR EQUIPMENT DAMAGE.**

IF THE SUPPLY CORD IS DAMAGED, IT MUST BE REPLACED BY THE MANUFACTURER, ITS SERVICE AGENT OR SIMILARLY QUALIFIED PERSONS IN ORDER TO AVOID A HAZARD.

SAFETY PRECAUTIONS

This unit has been specifically designed to provide protection against personal injury. To ensure continued protection observe the following.

WARNING:

Disconnect power to the unit before servicing following all lock out/tag out procedures established by the user. Verify all of the power is off to the unit before any work is performed.

Failure to disconnect the power could result in serious injury, death or equipment damage.

CAUTION:

Always be sure to keep area around the unit clean and free of clutter. Failure to keep this area clean may result in injury or equipment damage.

SHIPPING AND STORAGE

CAUTION:

Before shipping, storing, or relocating the unit, the unit must be sanitized and all sanitizing solution must be drained from the system. A freezing ambient environment will cause residual sanitizing solution or water remaining inside the unit to freeze resulting in damage to internal components.

NOISE LEVEL

This unit emits acoustical noise with an A-weighted sound pressure level no greater than 70dB.

GENERAL DESCRIPTION

The EJ1 dispenser is a counter top visual display action beverage dispenser. It is designed to dispense a variety of products.

WARNING:

This appliance should be earthed.

This appliance is not suitable for use by unsupervised children.

LOCATION

Place the dispenser on a solid, level surface with no part of the unit extending beyond the edge of that surface.

The unit must be located with at least 5 inches of space (From widest part of bowl) on the back and sides of the dispenser. Keep space above unit open to ensure proper ventilation. Lint or dust collecting on the condenser will result in poor ventilation.

CAUTION:

This appliance is not suitable for outdoor use.

The appliance is not suitable for installation in an area where a water jet could be used.

The appliance has to be placed in a horizontal position.

POWER

Depending on the model, the EJ1 requires either a 120V/60Hz, 230V/50Hz or 230V/60Hz grounded receptacle for the units power cord. Refer to the name plate to determine power requirements.

NOTE: If the colors of the wires in the main leads of this appliance do not correspond with the colored markings identifying the terminals in your plug, proceed as follows:

The green and yellow wire must be connected to the terminal in the plug marked with any of the following:

- The letter E.
- The earth symbol.
- Colored Green.
- Colored both Green and Yellow.

The blue/white wire must be connected to the terminal in the plug marked with the letter N or colored blue.

The brown/black wire must be connected to the terminal in the plug marked with the letter L or colored orange.

POWER CORD

CAUTION:

If a power cord is damaged, do not attempt to replace it. Take your unit to your nearest authorized service center as a special tool is required.

OPERATING ADJUSTMENTS

WARNING:

Dangerous voltages are still present within the unit even if the power switch is turned off. Before attempting any adjustments inside the unit, turn the unit off and unplug it from the electrical receptacle.

- Attention is drawn to the requirements of National Regulation about connecting to and using Potable water supplies.
- Jet Spray dispensers conform to the requirements of the Model Water Bylaws of 1986 SI 1147.
- All surfaces which comes into contact with food or drinking water are constructed of food quality non-toxic materials, which are non-corrosive, non-tainting and do not support the growth of bacteria.

SPECIFICATIONS

ELECTRICAL

Model	P/N	Electrical Supply	RLA*	LRA*
EJ1	A8651	120 VAC, 60Hz	6.0 AMPS	28 AMPS
EJ1	A8652	230 VAC, 50Hz	2.8 AMPS	11.5 AMPS
EJ1	A8663	230VAC, 60Hz	3.1 AMPS	13 AMPS

*RLA - Running Load Amperage.

*LRA - Locked Rotor Amperage (compressor starting amperage).

CLASS OF WINDINGS

Compressor Motor - Class H (Climate rating normal)

Condenser fan motor: Class B

ENVIRONMENT

Temperature

Operating: 60°F (16°C) to 110°F (43°C).

Storage: Above +20°F (-7°C) with bowl empty & dry.

Humidity - Below 95%

NOTE: The unit will “operate” at 110°F (43°C), but it does not guarantee beverages to be under company's specifications.

REFRIGERATION (R134A REFRIGERANT)

Model	Charge Quantity
EJ1 120/60Hz	166 grams (5.9 oz)
EJ1 230/60Hz	180 grams (6.3 oz)
EJ1 230/50Hz	170 grams (6.0 oz)

OTHER SPECIFICATIONS

Power Cord	7' with ground connection
Size	16"W X 18"D X 25 1/2"H (41 cm W X 46cm D X 65cm H)
Beverage Bowl & Cover	Transparent, Plastic.
Cabinet	Stainless steel, Aluminum and Plastic
Cabinet Color	White and Silver
Capacity	Over 8 US gallons; 30.2 liters
Refrigeration	Jet Spray 1/4 h.p. hermetically sealed system
Refrigerant	R134a
Spray Drive and Fan Motor	No oiling required
Power Drive Magnet	Permanent INDOX magnet
Net Weight	58lbs (26kgs)

INSTALLATION AND OPERATING INSTRUCTIONS

SETTING UP YOUR EJ1

- Drip tray and drip tray cover are packed in dispenser base carton.
- Bowl assembly, cover, bowl gasket, spray tube, impeller, pinch tube, and push handle are packet in separate bowl carton.
- Save all packing material and note relationship of parts as you remove them. You may need to move your dispenser to a different location or possibly ship it to you Jet Service Station. It will not pack as well, or as safely, in anything other than these cartons.
- Set dispenser chassis in desired location. Dispenser should be level and located on a solid counter.
- Be sure dispenser has adequate free space on both sides, approximately 5" away from any wall or obstruction. Keep space above unit open.
- Be sure top cover of dispenser is free from objects.

INSTALLATION OF PUSH HANDLE

- With one hand, pull out locating pin (found on the bowl spout) as far as possible.
- With the other hand, grasp push handle and push handle support spout over bowl spout and locating pin. Push pin into position.(see Figure 1.)

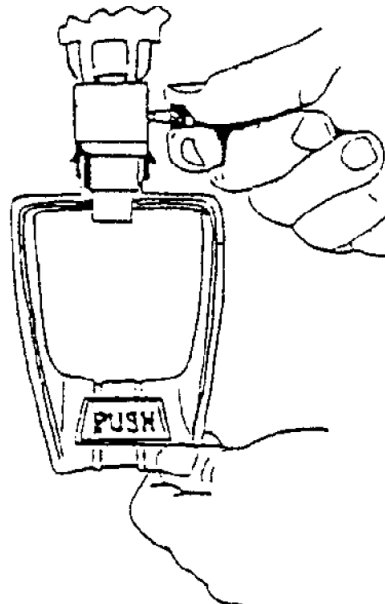
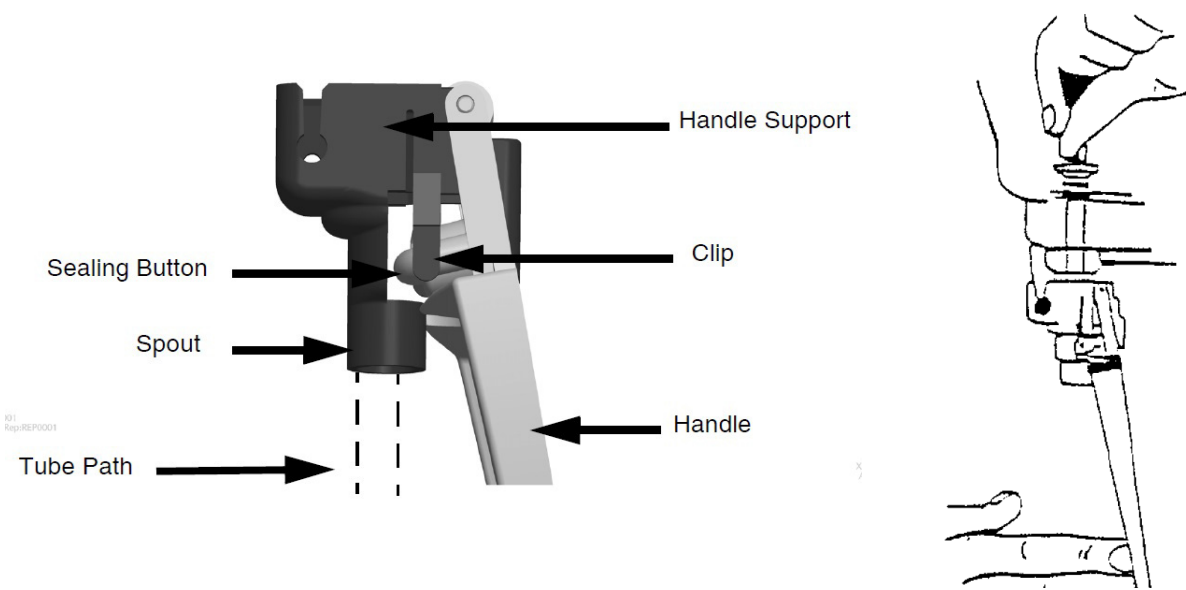


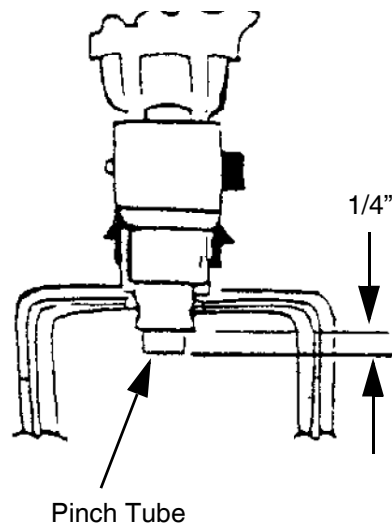
Figure 1.

INSTALLATION OF PINCH TUBE

- Remove tube from plastic bag and wash with warm water and mild soap or detergent such as Joy.
- Before installing, wet bowl spout surface and sealing rings on pinch tube. With one hand, push back handle (see Figure 2.). With your other hand, pick up pinch tube as shown in sketch and carefully insert tube into bowl spout opening and on into lower opening of handle support spout (Figure 2.)


Figure 2.

- With your other hand, pick up pinch tube as shown in sketch and carefully insert tube into bowl spout opening and on into lower opening of handle support spout. Make sure the end of the tube does not get caught on the edge above the handle support spout opening. Using your thumb, push pinch tube into bowl spout opening. When the end of the tube passes beyond the bottom of the handle support spout opening, pull the end of the tube top into the bowl spout seat. Make sure tube is free of Wrinkles. The tube should extend about 1/4" below the handle support spout (See Figure 3.)


Figure 3.

- Release the handle.

REMOVING THE PINCH TUBE

- With one hand, push back handle to stop with the other hand, grasp ring on the top of the pinch tube and lightly pull from the bowl spout.

REMOVING THE PUSH HANDLE

- With one hand, pull out the locating pin as far as possible.
- With your other hand, grasp handle and pull straight down.

INSTALLATION OF BOWL AND TRAY

- Slide the drip tray with cover into place.
- Consider the installation of a permanent drain hose which connects to outlet on drip tray bottom.
- Wet bowl gasket thoroughly and place around stainless steel dome with printed side up. Push gasket down to bottom of dome. Gasket must lay flat against dome.
- Place bowl over stainless steel dome with front edge of large hole pushed down over bowl gasket. Bowl should now be tilted slightly forward. Place hands on top rear of bowl and press back and down on bowl to snap rear of bowl in place over back bulge of gasket.

ASSEMBLING OF THE IMPELLA & SPRAY TUBE

1. Lock spray tube into the impella assembly as shown in the sketch below.
2. Lock the spray tube into the pump cover. Use warm water on pump cover to ease insertion or removal of spray tube. (See Figure 4.)

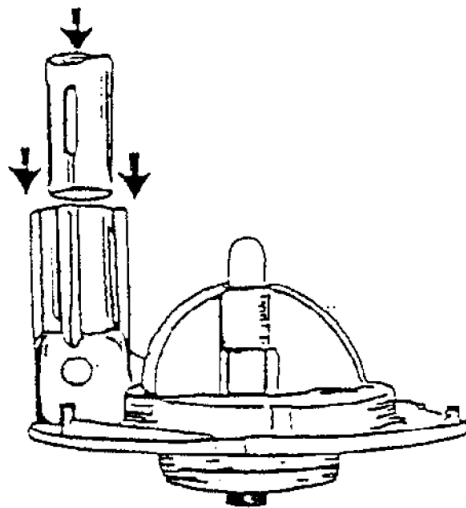


Figure 4.

3. Push the impella support pin through the impella and up through the center hole of the pump housing. Insert retaining clip. (See Figure 5.)

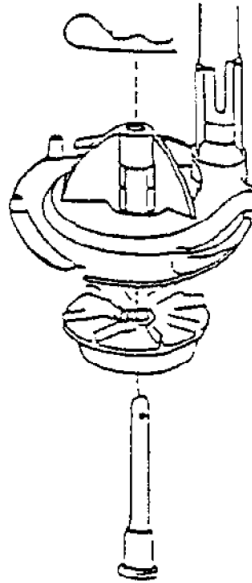


Figure 5.

4. Line up the lines on the pump cover base of the bowl. Drop the pump cover in so that the three tabs on the bowl base go through cut-outs in the pump. Turn pump counterclockwise until tabs of the bowl hit tabs of the cover. (See Figure 6.)

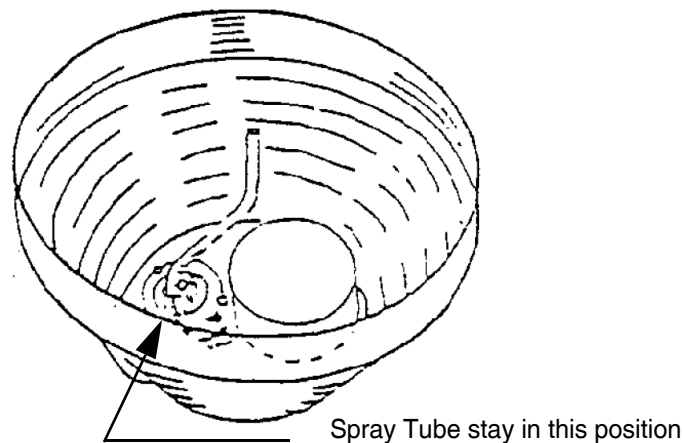


Figure 6.

OPERATING PROCEDURES

1. Follow beverage manufacturer's directions in filling bowls. To aid in filling, the bowls have gallon and liter markers up the center of the front wall -- gallons on left, liters on right.
2. Turn on the refrigeration and spray switches. Product should be cold enough to serve in 2 hours. Switches should be left "ON" 24 hours a day to ensure efficient operation.
3. The thermostat is preset at the factory and will not normally require resetting by owner. Call a service technician for reset.

FREQUENT MAINTENANCE PROCEDURES

CLEANING THE BOWLS

- Before removing the bowl, turn off the refrigeration and spray switches.
- Remove pinch tube by pushing handle until it stops. Pull up on pinch tube until it is free, then remove handle (see page 7). Lift off bowl, drip tray, and cover, and clean.
- Clean these parts in warm water and a mild nonabrasive detergent. Rinse parts thoroughly.

CAUTION:

- Do not use abrasive cleaners. Abrasive cleaners will scratch plastic parts. Do not wash parts in automatic dish washer.
- After cleaning, assemble as described on pages 6,7 and 8. Install push handle, and insert pinch tube into bowl.

SANITIZING UNIT

KAY-5® Sanitizer/Cleaner

Mix 100 PPM of KAY-5® Sanitizer/Cleaner solution- one packet per 2.5 gallons of tap water [75°-95°F (24°-35°C)] according to manufacturer's instructions.

Multi-Chlor II® Sanitizer

Mix 100 PPM of Multi-Chlor II® Sanitizer solution- 0.5 ounce per 2.5 gallons of tap water [75°-95°F (24°-35°C)] according to manufacturer's instructions.

Sanitizing the Unit

After cleaning, mix approved powdered chlorine sanitizer* according to manufacturers instructions. When dissolved, pour into bowl.

Replace the lid and run the spray system for 15 minutes. Shut off the unit and drain the contents through the pinch tube valve. Fill unit with one gallon of tap water and run the spray system for 5 minutes to rinse the unit. Drain unit and allow to dry.

NOTE: * See sanitizing products listed above or equivalent powder or liquid sanitizer.

WARNING:

Do not run refrigeration switch when sanitizing.

VENTILATION

Air flow is essential. Allow at least 5 inches of space (from widest part of bowl) on back and side of dispenser. Keep space above unit open to the environment. Lint or dust collecting on the condenser will result in poor refrigeration. Remove right side panel to clean the condenser. Clean often. Shut off both switches to prevent dirt from flying when cleaning.

NOTE: The EJ1 temperature control is located inside of the left hand perforated side panel.

CLEANING THE FILTER AND CONDENSER

WARNING:

Disconnect power to the unit before servicing following all lock out/tag out procedures established by the user. Verify all of the power is off to the unit before any work is performed.

Failure to disconnect the power could result in serious injury, death or equipment damage.

1. Turn off Refrigeration Switch and spray switch. Unplug power cord
2. Remove back panel screw, then back panel by pulling out on bottom of it.
3. Clean condenser with vacuum cleaner or brush making sure no loose dirt goes into the dispenser.
4. Clean filter by running a stream of hot water through it. Allow to dry before replacing.
5. Replace back panel, putting top edge up under condenser tray and push in on bottom. reinstall back panel screw and plug in power cord.

CORRECTING DISPENSER DIFFICULTIES

No Spray Or Circulation

1. Be sure switch is "ON".
2. If the unit does not spray, remove pump housing and check the impella. The impella must spin freely.
3. Remove the impella and the impella pin at the bottom of the impella. Separate parts and clean.
4. Reassemble. If the impella blades rub on the pump cover, replace with new assembly.

NOTE: Switch must be "OFF" when inserting the pump housing assembly into the bowl to assure magnetic coupling.

5. The impella is seldom defective. If the impella magnet has been dropped, examine for damage. If damaged or binding, replace the impella pin and/or the impella magnet.
6. Long pieces of pulp may partially plug the pump housing and bind the impella blades. Juices with excessive pulp must be strained in order to spray.
7. However, if it is desired to retain pulp, then use Jet Spray Circulator Kit No. S6737 in place of the pump housing assembly. Wash sediment from the pump well.
8. The impella assembly should be locked under all three of the bowl lugs. If any of the lugs are broken, the impella will not spray properly, will vibrate, and become noisy. Replace the bowl.
9. Now check the spray drive in dispenser chassis. To check spray power source, remove the splash panel by taking out 6 stainless screws and sliding panel from under lip of condensate tray. This exposes the spray drive assembly. Drive must spin freely with the touch of your hand. If shaft or magnet rubs or binds have it adjusted at an authorized service station.
10. Spray drive motor with spray switch "ON" must run in counterclockwise direction. Motor stopped or not up to speed will affect circulation temperature of drink and efficiency of the unit. Replace the spray switch or the drive motor.

BOWL LEAKS

1. Do not confuse drippings from condensation on the outside of the bowl as bowl or facet leaks. High humidity causes a greater degree of condensation. Condensation will occur on the sides and undersides of the bowl and will drain into the drip tray. If the bowl is cracked, it will leak beverage. Replace the bowl.
2. Be sure the gasket has been assembled properly. Before removing the bowl wait 10 minutes after shutting off the refrigeration system to allow time for the ice beneath the bowl gasket to melt. Check gasket for tears or cuts in rubber as they cause leaks. (See Figure 7.)

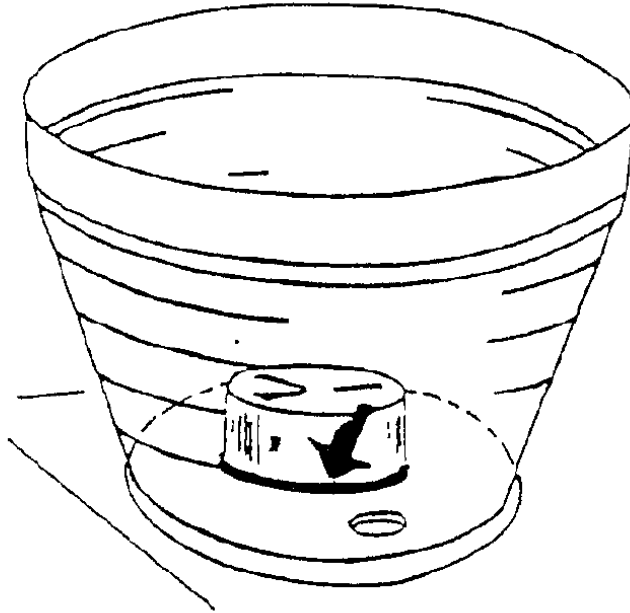


Figure 7.

3. Remove and examine pinch tube for holes. Make sure the pinch tube is properly seated in spout and is free of wrinkles. Pinch tube may occasionally stick shut due to dried syrup inside the tube after a prolonged time of not being used. To open, merely push back handle and pull lightly on the tube outlet. This will open the tube. Frequent washing of the tube will minimize this.

VALVE LEAKS OR COMPRESSED PINCH TUBE

- Make sure pinch tube is properly seated in spout and is free of wrinkles.
- Pinch tube may occasionally stick shut due to dried syrup inside the tube after a prolonged time of not being used, such as over a weekend. To open, merely push back handle and pull lightly on tube outlet. This will open the tube. Frequent washing of the tube will minimize this problem.

INSTALLATION OF BOWL CIRCULATOR KITS

The bowl circulators are ideal for mixing and circulating beverages which are heavy in pulp or which tend to foam excessively when used with a conventional spray unit. When the circulator is properly placed in the bowl, it ideally mixes and cools the beverage at all levels. These circulators are used in place of the spray pump assemblies.

Part # A1620

1. Remove present pump and spray tube from the bowl (if equipped).
2. Place circulator assembly into pump well with small plate down.

EJ1 WIRING DIAGRAM

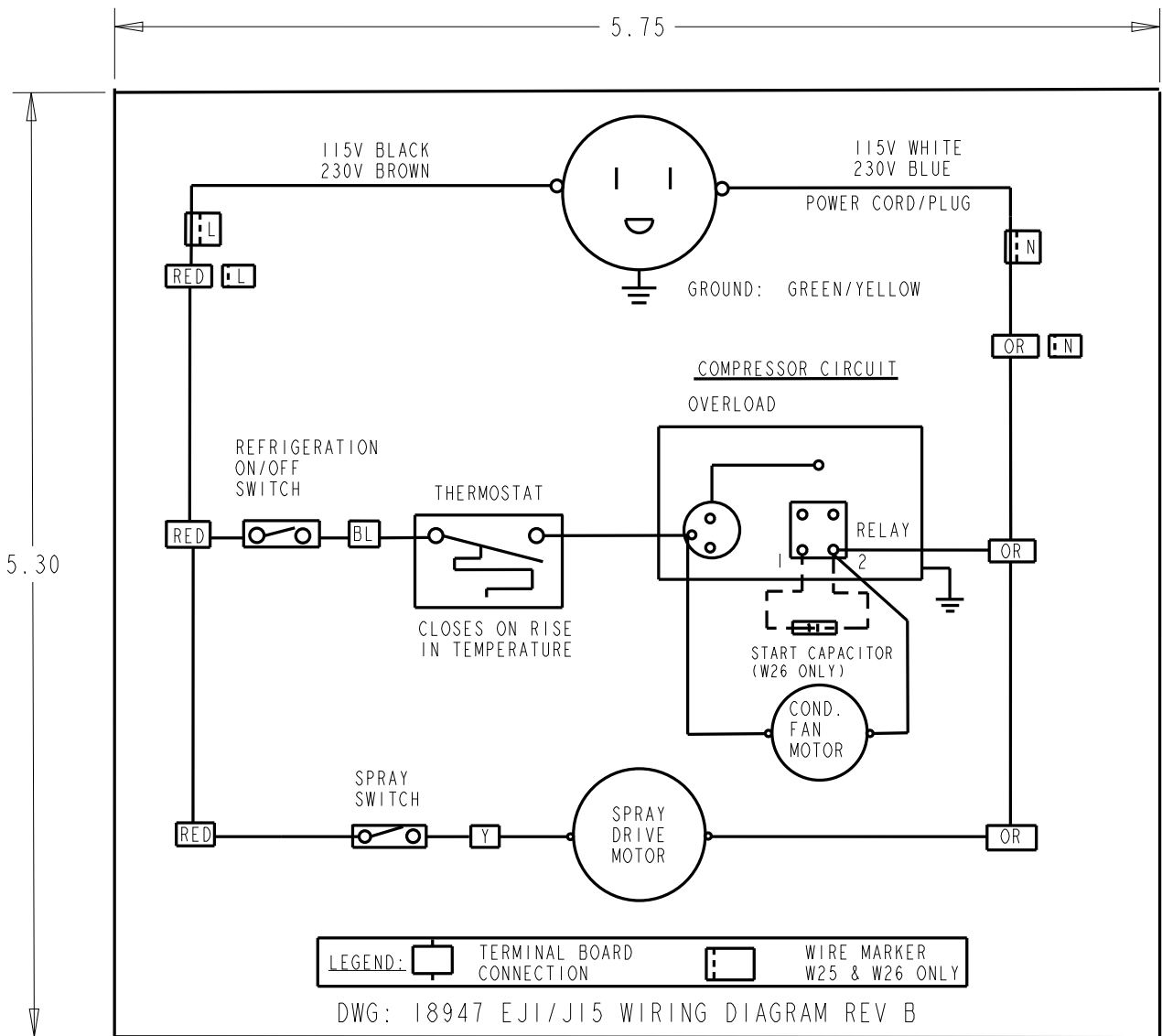


Figure 8. EJ1 Wiring Diagram



Cornelius Inc.
www.cornelius.com