



JETSPRAY-VISUAL DISPLAY DISPENSER

Illustrated Parts List



Model: EJ1

This Manual applies to
serial number 305571
and higher

Release Date: August 1995

Publication Number: 18489

Revision Date: September 06, 2017

Revision: D

Visit the Cornelius web site at www.cornelius.com for all your Literature needs.

The products, technical information, and instructions contained in this manual are subject to change without notice. These instructions are not intended to cover all details or variations of the equipment, nor to provide for every possible contingency in the installation, operation or maintenance of this equipment. This manual assumes that the person(s) working on the equipment have been trained and are skilled in working with electrical, plumbing, pneumatic, and mechanical equipment. It is assumed that appropriate safety precautions are taken and that all local safety and construction requirements are being met, in addition to the information contained in this manual.

This Product is warranted only as provided in Cornelius' Commercial Warranty applicable to this Product and is subject to all of the restrictions and limitations contained in the Commercial Warranty.

Cornelius will not be responsible for any repair, replacement or other service required by or loss or damage resulting from any of the following occurrences, including but not limited to, (1) other than normal and proper use and normal service conditions with respect to the Product, (2) improper voltage, (3) inadequate wiring, (4) abuse, (5) accident, (6) alteration, (7) misuse, (8) neglect, (9) unauthorized repair or the failure to utilize suitably qualified and trained persons to perform service and/or repair of the Product, (10) improper cleaning, (11) failure to follow installation, operating, cleaning or maintenance instructions, (12) use of "non-authorized" parts (i.e., parts that are not 100% compatible with the Product) which use voids the entire warranty, (13) Product parts in contact with water or the product dispensed which are adversely impacted by changes in liquid scale or chemical composition.

Contact Information:

To inquire about current revisions of this and other documentation or for assistance with any Cornelius product contact:

www.cornelius-usa.com

800-238-3600

Trademarks and Copyrights:

This document contains proprietary information and it may not be reproduced in any way without permission from Cornelius.

This document contains the original instructions for the unit described.

CORNELIUS INC
101 Regency Drive
Glendale Heights, IL
Tel: + 1 800-238-3600

Printed in U.S.A.

TABLE OF CONTENTS

EJ1 Bowl Components	2
EJ1 Electrical Components	2
EJ1 Chassis Components	3
Harness Assemblies	4

Be Sure To Give Dispenser Serial And Model Number When You Order Replacement Parts

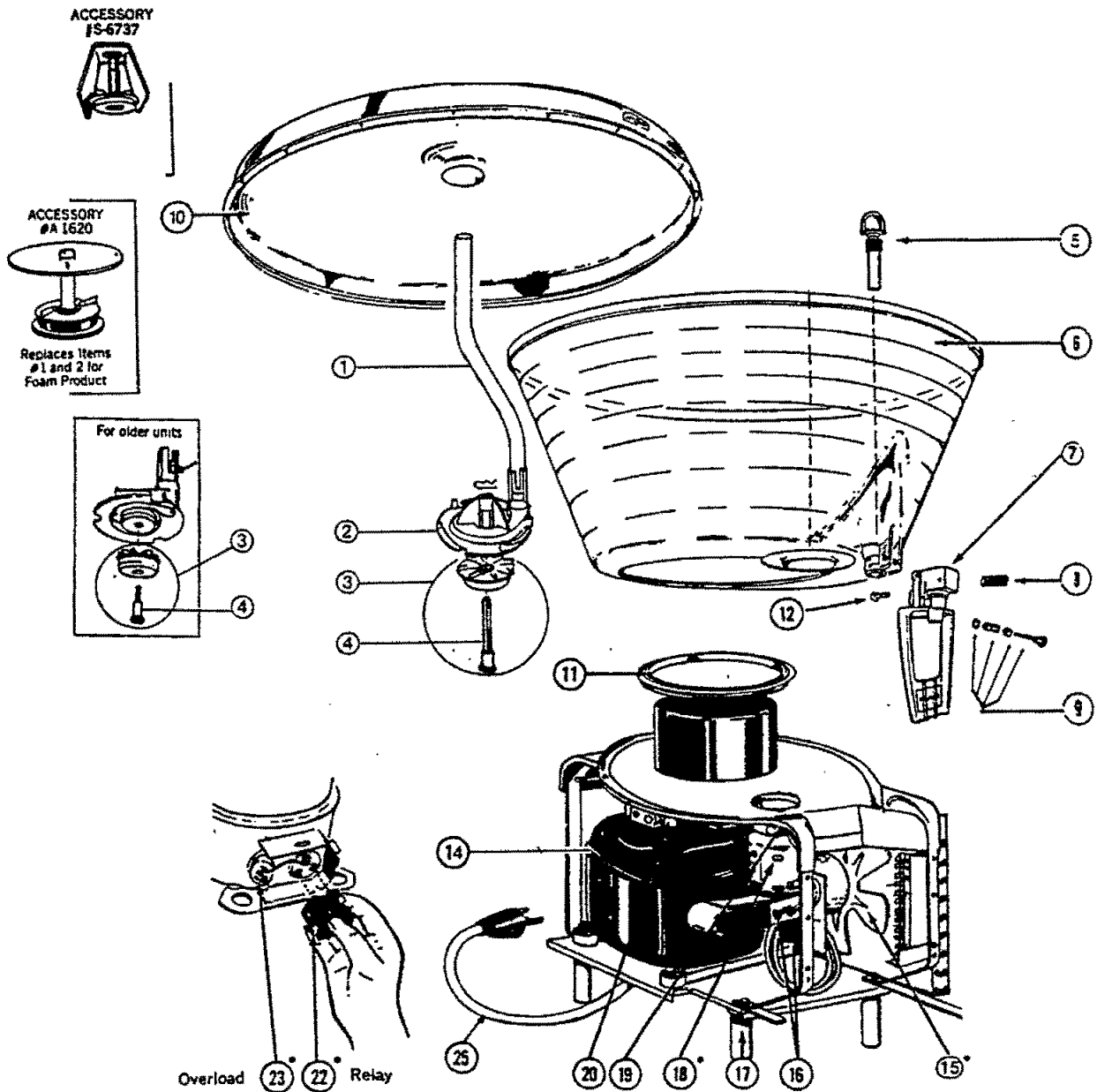


Figure 1.

*See alternate 220V/240V 50HZ parts list

EJ1 BOWL COMPONENTS

Table 1. EJ1 Bowl Components

Item	Part Number	Description
1	S2722	Spray Tube
2	S6127	Impella Assembly 13/32"circulation hole for 230/50 Hz
	S2721	Impella Assembly 13/32"circulation hole for 120/60 & 230/60 Hz
3	A3192	Impella & Support Pin 230/50 Hz
	A3058	Impella & Support Pin 120/60 & 230/60 Hz
4	A2549	Impella Support Pin w/Clip
5	S4206	Pinch Tube
6	724645	8 Gallon Bowl (pinch tube type)
7	S4381	Handle Assembly (pinch tube type)
	S6469	Non-Cup Contact Push Handle
8	S4363	Pinch Tube Spring
9	S3150	Handle Pin Assembly
10	722498	8 Gallon Bowl Cover
11	S1717	Bowl Gasket
12	S4576	Spring Retainer Rivet Only (pkg of 6)

EJ1 ELECTRICAL COMPONENTS

Table 2. EJ1 Electrical Components

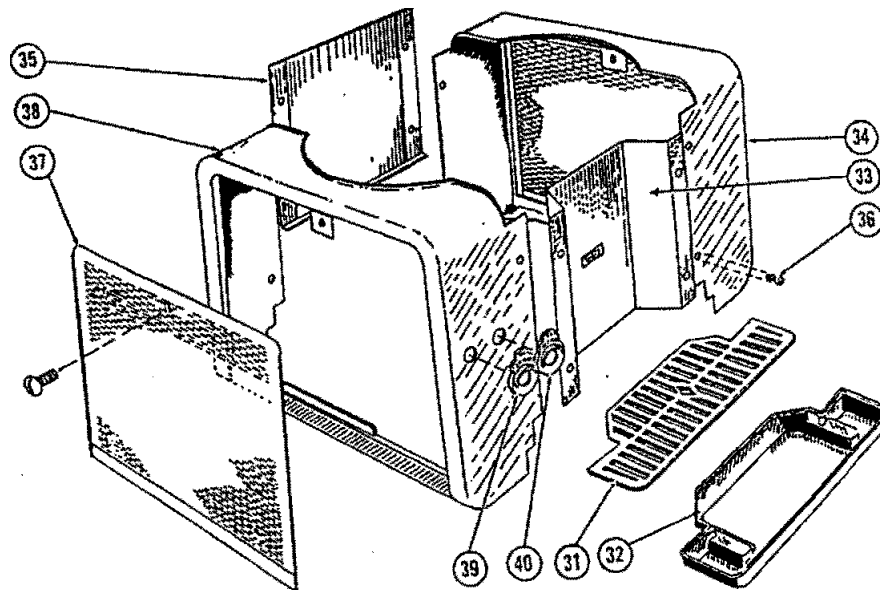
Item	Part Number	Description
14	620061446	Compressor J15/EJ1 120/60 Tecumseh AE3430Y-AA1A
	18362	Compressor 1/4HP 120/60 Tecumseh 134A, AEA3430YXA
15	S2883	Fan Motor & Blade Assembly (115V/60Hz)(for Compressor Model AEA3430YXA)
	S1630	Fan Motor Only (115V/60Hz)(for Compressor Model AEA3430YXA)
	620066495	Fan Motor Only (230V, 50/60Hz)for Compressor Model AE3430Y-FZIA & AE4430Y-XN1A
	S3195	Fan Motor Only (230V 50/60Hz) for Compressor Model AEA3430YXC & AEA4430YXD
	620068494	Motor Fan 06W 120/5/6 1550RPM-EJ1 (for Compressor Model AE3430Y-AA1A)
	620068744	Fan Motor & Blade Assembly 115V/60HZ (for Compressor Model AE3430Y-AA1A)
16	S3004	Refrigeration Spray Switch
17	7210081	Rubber Foot
18	S3357	Spray Drive Assembly Complete (includes fan assembly & mounting bracket)(115V/60Hz)
19	S6750	Magnet Assembly Only (for spray drive) (below s/n 318212)
		Magnet Assembly - Morrill Motor (for spray drive) (s/n 318212 & above)
20	S2747	Temperature Control
22	620066838	Relay RP4409-CXR (230V 60Hz) for Compressor Model AE4430Y-XN1A
	620066596	Relay 9660D-040-139 (230V/50Hz) for Compressor Model AE3430Y-FZIA
	620068491	Relay (for Compressor Model AE3430Y-AA1A)
	S2220	Relay 9660-042-143/EMB501-91143 for Compressor Model AEA3430YXC
	723887	Relay EMB 501-91176 (115 V 60Hz) for Compressor Model AEA3430YXA
23	620066839	Overload T961111-24-BE (230V 60Hz) for Compressor Model AE4430Y-XN1A
	620066597	Overload T14526-24-BE (230V/50Hz) for Compressor Model AE3430Y-FZIA
	620068380	Overload (for Compressor Model AE3430Y-AA1A)
	18370	Overload MRT24ALN-69 (115 V 60Hz) for Compressor Model AEA3430YXA
	18391	Overload MRP59AMK-69 (230V, 50/60Hz) for Compressor Model AEA3430YXC

Table 2. EJ1 Electrical Components

Item	Part Number	Description
25	S1249	Power Cord (domestic & W 16 only)
	11557	Power Cord (230V, 50/60Hz)
	7211632	Power Cord (230V, 50/60Hz)

REPLACEMENT PARTS LIST

EJ1 CHASSIS COMPONENTS


Figure 2.
Table 3. EJ1 Chassis Components

Item	Part Number	Description
31	A7342	Drip Tray Cover (std white)
	19273	Drip Tray Cover (black)
32	A7343	Drip Tray (std white)
	19274	Drip Tray (black)
33	722009	Front Panel Assembly
34	A7304	Right Side (std white)
35	A7291	Rear Panel (std white)
	19270	Rear Panel (black)
36	S1150	Cabinet Screws (pkg of 12)
37	14638	Perforated Side (screw fastened)
38	A7288	Left Side (std white)
	620052315	Left Side (black)
39	722836	Spray Switch Plate (white)
	S3837	Spray Switch Plate (black)
40	722837	Refrigeration Switch Plate (white)



Table 4. Harness Assemblies

Item	Part Number	Description
*	14449	Thermostat Lead Wire (for Compressor Model AEA3430YXA)
*	620066356	Wire Thermostat Lead EJ1 (for Compressor Model AE3430Y-AA1A)
*	723178	Wire Lead Assembly 16"
*	10319	Wire Intl. Ground 14"
*	620068296	Wire Earthing JT30

* Indicates not shown

Cornelius Inc.
www.cornelius.com