



## JETSPRAY™ MODEL JS7

SINGLE FLAVOR  
VISUAL DISPLAY DISPENSER



### FEATURES

**Boost sales** - Visual display dispensing system promotes impulse sales

**Small footprint** - The most compact 5-gallon visual display dispenser available; uses 25% less counter space  
-Accommodates jumbo size cups for maximum profits

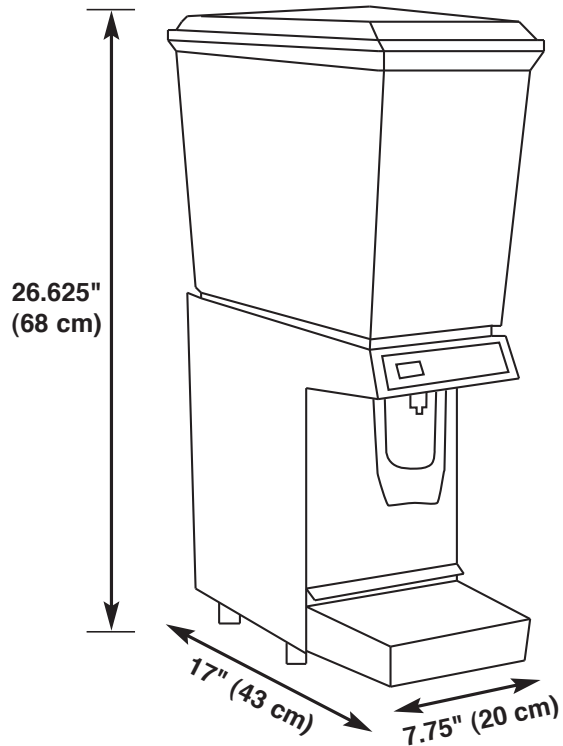
**Flexibility** - Interchangeable 3 (11L) and 5 (19L) gallon bowls mix and match to meet variable product demand

**Broad capabilities** - Unique pinch tube system reliability dispenses all types of beverages, including those with heavy pulp

**Quality drinks** - Constant recirculation of beverage keeps drinks chilled and fresh

**Adaptable** - Sleek, modern design and white cabinetry fit into any foodservice environment

**Reduced cleaning time** - Easy cleaning and maintenance



PART NUMBER	DESCRIPTION
JS7	Cold Beverage Dispenser JS7, Visual Single Bowl, 5 Gallon Spray Type, 115V / 60Hz
A1620	Circulator Kit for Foamy Products

## TECHNICAL SPECIFICATIONS

CABINETRY . . . . . White plastic and stainless steel

BEVERAGE BOWL & COVER . . . . . Transparent, virtually unbreakable LEXAN® resin, with U.S. gallon and liter markings

SHORT BOWL OPTION . . . . . 3 gal: 23 5/8"H  
ON STANDARD BASE . . . . . 5 gal: 26 5/8"H

BEVERAGE CAPACITY . . . . . 5 gal (19 L)

CUP CLEARANCE . . . . . 9"

REFRIGERATION . . . . . JetSpray 1/6 HP hermetically sealed system R134a

NET WEIGHT . . . . . JS7: 37 lb (16.78 kg)

SHIPPING WEIGHT . . . . . JS7: 45 lb (20.4 kg)

CARTON VOLUME . . . . . 4.2 cu ft (0.10 cuM)

AGENCY LISTINGS . . . . . 