



NITROPRO™ MINI

SPECIALTY BEVERAGE DISPENSER



Capture the
Power of
the Cascade

nitropro™ mini

FEATURES

Onboard Gas Generator

No need to source nitrogen or extra equipment

Bag-in-box Technology

No brewing or manual mixing, just connect bag and serve

Programmed Mixing Ratios

Save time and ensure accuracy

LED Illuminate Merchandiser

Easily change graphic without tools

Narrow Footprint

Simple self-contained design conserves counter space

Dual Tap Design

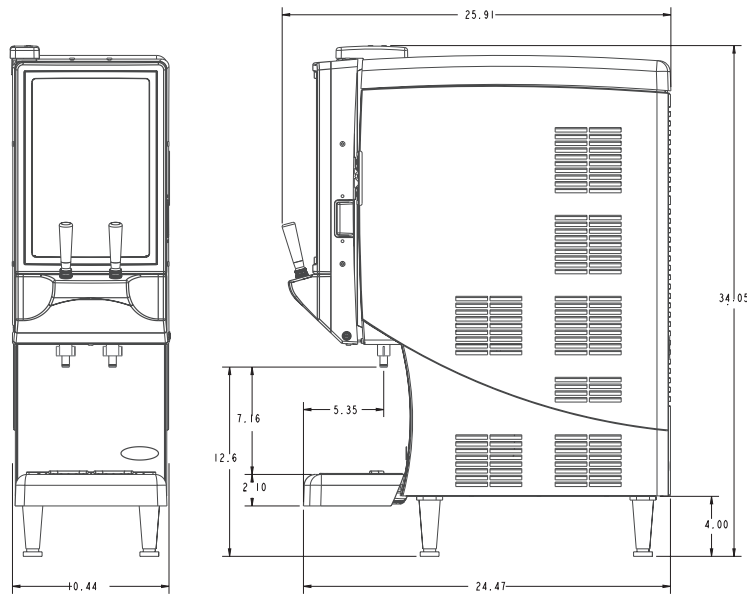
Dispense chilled nitro and still product using one BIB

Easy to Remove Tap Handles

Replace to align with your brand

Frost-Free Refrigeration Compartment

Accommodates ambient or aseptic concentrate BIB



PART NUMBER	DESCRIPTION
621058753	NitroPro Mini Counter Top Dispenser 115V/60Hz/5.0 Amps
621058755	NitroPro Mini Counter Top Dispenser 230V/50Hz/5.0 Amps
620068154	Optional 90psi Water Booster Pump 115V/60Hz
629097835	Annual Preventative Maintenance Kit
629097834	Replacement Nozzle, Mixing Cap, and O-ring Kit
620067410	Product Delivery Hose Assembly (Scholle 1910L)
MOD1-CB12C	Single head 0.2 micron water filter. 20,000 at 1.7ppm

TECHNICAL SPECIFICATIONS

REFRIGERATION Hermetically sealed system,
R-134a refrigerant 6.2 oz (175 g)

ICE BANK SIZE 6-8 lbs.

SHIPPING DIMENSIONS 29.5”L x 17”W x 40”H
(74.9 cm x 43.2 cm x 101.6 cm)

WEIGHT 140 lbs (63.5 kg)

RECOMMENDED CLEARANCE . . Back: 4”
Top: 12”
Sides: 4”

AMBIENT OPERATING

TEMPERATURE 40°F to 100°F (4.4° C to 37.8°C)

BAG IN BOX CONNECTOR Scholle 1910L

MERCHANDISER GRAPHIC SIZE. Entire Area: 8.763”x 12.927”
. Visible Area: 7.949”x 12.051”

TAP HANDLE THREAD SIZE 3/8” - 16

WATER CONNECTION 3/8” SAE male
flare fitting on dispenser

WATER SUPPLY REQUIREMENTS

MAXIMUM DYNAMIC PRESSURE 90psi (6.2 bar)

MINIMUM DYNAMIC PRESSURE. 35psi (2.4 bar)

PROGRAMMED POST-MIX

RATIOS 3:1, 4:1, 5:1, 7:1. Micro
adjustments available

REQUIRED OUTLET QUANTITY . . 1-15 amp outlet for dispenser

FLOW RATE Finished beverage pour rate
1-1.2oz/per second

AGENCY LISTINGS 