



---

## **CNM 22 INCH WIDE SERIES**

**CNM0322\*\*0, CNM0522\*\*0,**

**CNM0322\*\*5 & CNM0522\*\*5**

### **ILLUSTRATED PARTS LIST**



**Release Date: April 19, 2018**

**Publication Number: 548000063**

**Revision Date: September 5, 2018**

**Revision: B**

Visit the Cornelius web site at <http://ice.cornelius.com> for all your Literature needs.

---

## Notice

The products, technical information, and instructions contained in this manual are subject to change without notice. These instructions are not intended to cover all details or variations of the equipment, nor to provide for every possible contingency in the installation, operation or maintenance of this equipment. This manual assumes that the person(s) working on the equipment have been trained and are skilled in working with electrical, plumbing, pneumatic, and mechanical equipment. It is assumed that appropriate safety precautions are taken and that all local safety and construction requirements are being met, in addition to the information contained in this manual.

This Product is warranted only as provided in Cornelius' Commercial Warranty applicable to this Product and is subject to all of the restrictions and limitations contained in the Commercial Warranty.

Cornelius will not be responsible for any repair, replacement or other service required by or loss or damage resulting from any of the following occurrences, including but not limited to, (1) other than normal and proper use and normal service conditions with respect to the Product, (2) improper voltage, (3) inadequate wiring, (4) abuse, (5) accident, (6) alteration, (7) misuse, (8) neglect, (9) unauthorized repair or the failure to utilize suitably qualified and trained persons to perform service and/or repair of the Product, (10) improper cleaning, (11) failure to follow installation, operating, cleaning or maintenance instructions, (12) use of "non-authorized" parts (i.e., parts that are not 100% compatible with the Product) which use voids the entire warranty, (13) Product parts in contact with water or the product dispensed which are adversely impacted by changes in liquid scale or chemical composition.

## Correct Disposal of this Product



**RECYCLE**

This marking indicates that this product should not be disposed with other household wastes throughout the EU. To prevent possible harm to the environment or human health from uncontrolled waste disposal, recycle it responsibly to promote the sustainable reuse of material resources. To return your used device, please use the return and collection systems or contact the retailer where the product was purchased. They can take this product for environmental safe recycling.

## Trademarks and Copyrights

This document contains proprietary information and it may not be reproduced in any way without permission from Cornelius. This document contains the original instructions for the unit described.

CORNELIUS INC  
101 Regency Drive  
Glendale Heights, IL  
Tel: + 1 800-238-3600

Printed in U.S.

## Contact Information

To inquire about current revisions of any documentation or assistance with any Cornelius product, contact:

[www.cornelius.com](http://www.cornelius.com)  
800-238-3600



NOMENCLATURE .....1  
CABINET PART LIST .....2  
WATER SYSTEM PART LIST .....5  
AIR COOLED PART LIST .....8  
WATER COOLED PART LIST .....11  
ELECTRICAL PART LIST .....14



# NOMENCLATURE

This parts list contains the service parts available for the following CNM Series.

<b>CNM0322**0</b>	<b>115/60/1</b>
<b>CNM0322**5</b>	<b>220-240/50/1</b>
<b>CNM0522**0</b>	<b>115/60/1</b>
<b>CNM0522**5</b>	<b>220-240/50/1</b>

**NOTE: \* = Represent Condenser type and Cube Size Refer below for Details**

Model Number Example:

**CNM0322AH0**

**CNM = Cornelius Nordic Modular**

**03 = 300 lb, in 24 hours capacity, 05 = 500 lb, in 24 hours capacity.**

**22 = 22 inch wide cabinet, 30 = 30 inch wide cabinet**

**A = Air Cooled Condenser, W = Water Cooled Condenser, R = Remote Cooled Condenser**

**H = Half Cube Size, F = Full Cube Size G = Grande Cube Size**

**0 = 115 Volt, 5 = 220-240 V / 50 Hz / 1 Phase 6 = 208-230 Volt / 60 Hz / 1 Phase 7 = 3 Phase**

Check the model number on the data plate and refer to the correct listing for the specific component.

Check carefully that the correct part is identified and ordered.

# CABINET PART LIST

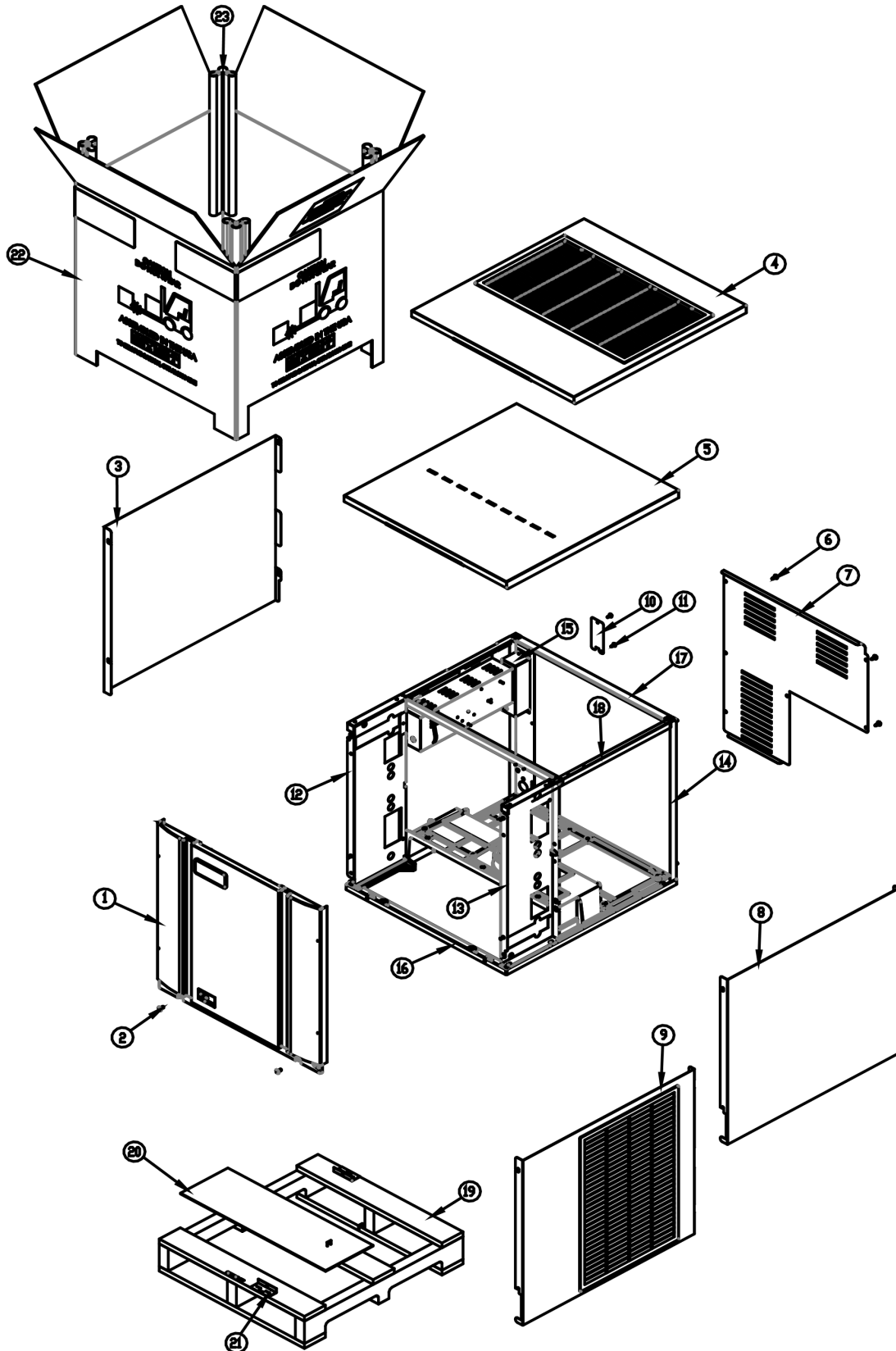


Figure 1.



NOTE: \* = Represent Condenser type and Cube Size Refer page 1 for Details.

Item No.	Model Number		Description
	CNM0322**0	CNM0522**0	
	115/60/1	115/60/1	Machine Voltage
1.	620060216	620060216	Front Panel
2.	620060151	620060151	Front Panel Screws
3.	620060141	620060141	Left Side Panel
4.	620060215	620060215	Top Panel-Air Cooled
5.	620060217	620060217	Top Panel- Water Cooled
6.	620204441P	620204441	Rear Cover Screws
7.	620060136	620060136	Rear Cover
8.	620060142	620060142	Right Side Panel-Water Cooled
9.	620060134	620060134	Right Side Panel-Air Cooled
10.	620060140	620060140	Junction Box Cover
11.	620204441	620204441	Junction Box Screw
12.	620060123	620060123	Front Left Brace
13.	620060124	620060124	Front Right Brace
14.	620060218	620060218	Right Side Rear Corner
15.	620060219	620060219	Junction Box
16.	620060220	620060220	Base
17.	620060137	620060137	Rear Brace
18.	620060221	620060221	Top Right Framework
19.	620060222	620060222	Elevation Skid 22 Inch
20.	620060223	620060223	Carton Liner 22 Inch
21.	620060170	620060170	Shipping Bracket 2 Req.(Field Installed)
22.	620060224	620060224	Carton, Elevation 22 Inch
23.	620060145	620060145	Corner Post (Each), Elevation, (4 Required)
24.	620060150	620060150	Pop Rivets Not Shown (Package of 10)

NOTE: \* = Represent Condenser type and Cube Size Refer page 1 for Details

220-240/50/1 Machine Voltage			
Item No.	Model Number		Description
	CNM0322**5	CNM0522**5	
1.	620060216	620060216	Front Panel
2.	620060151	620060151	Front Panel Screws
3.	620060141	620060141	Left Side Panel
4.	620060215	620060215	Top Panel-Air Cooled
5.	NA	620060217	Top Panel- Water Cooled
6.	620204441	620204441	Rear Cover Screws
7.	620060136	620060136	Rear Cover
8.	620060142	620060142	Right Side Panel-Water Cooled
9.	620060134	620060134	Right Side Panel-Air Cooled
10.	620060140	620060140	Junction Box Cover
11.	620204441	620204441	Junction Box Screw
12.	620060123	620060123	Front Left Brace
13.	620060124	620060124	Front Right Brace
14.	620060218	620060218	Right Side Rear Corner
15.	620060225	620060225	Junction Box
16.	620060220	620060220	Base
17.	620060137	620060137	Rear Brace
18.	620060221	620060221	Top Right Framework
19.	620060222	620060222	Elevation Skid 22 Inch
20.	620060223	620060223	Carton Liner 22 Inch
21.	620060170	620060170	Shipping Bracket 2 Req. (Field Installed)
22.	620060224	620060224	Carton, Elevation 22 Inch
23.	620060145	620060145	Corner Post (Each), Elevation, (4 Required)
24.	620060150	620060150	Pop Rivets Not Shown (Package of 10)



# WATER SYSTEM PART LIST

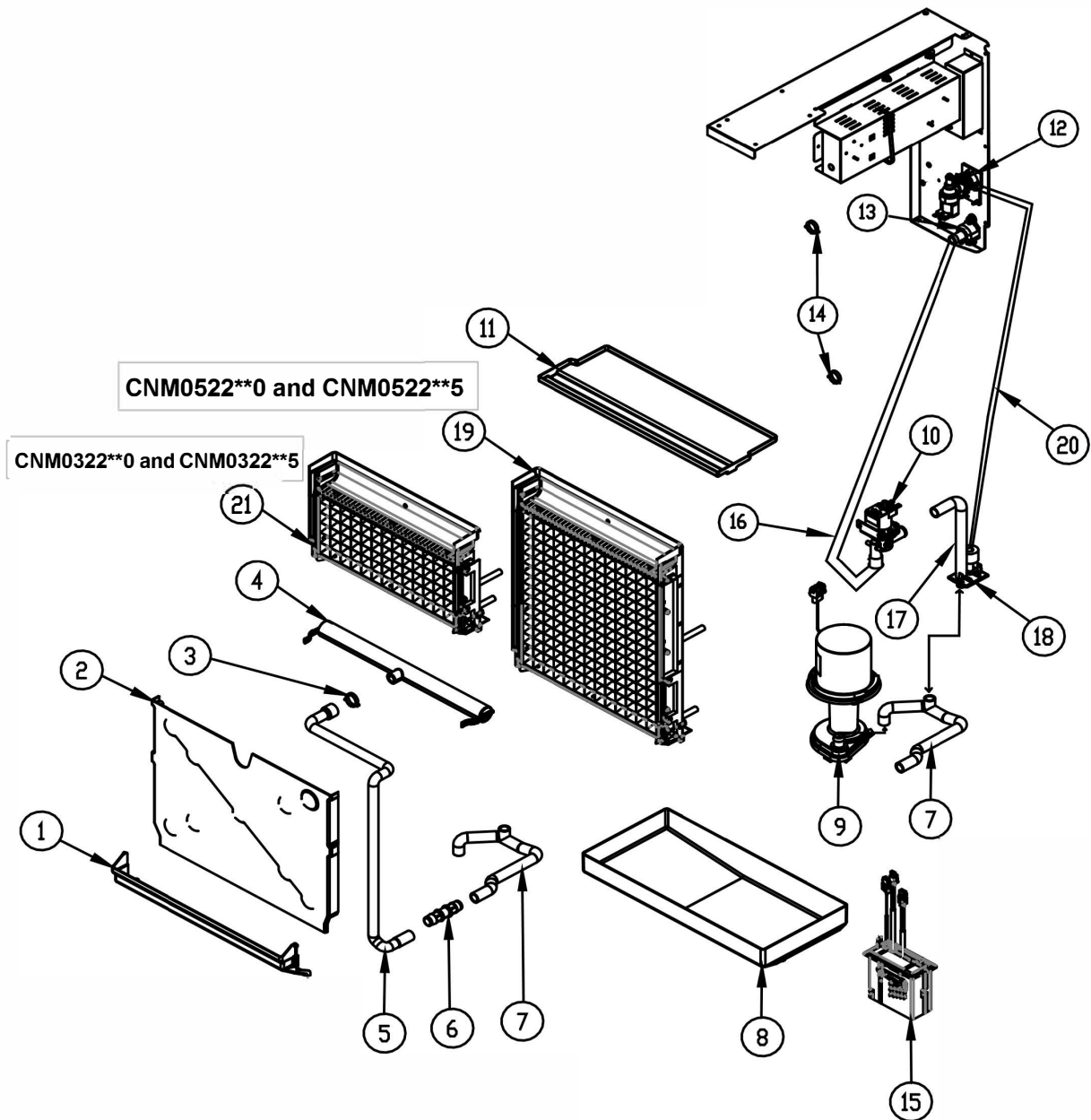


Figure 2.

The Model Number of the machine has a designator for the Cube Size:

<b>Example:</b>	CNM0322AF0	F = Full Cube	Cube Size = 7/8 x 7/8 x 7/8
	CIM0322AH0	H = Half Cube	Cube Size = 3/8 x 7/8 x 7/8



NOTE: \* = Represent Condenser type and Cube Size Refer page 1 for Details

Sl. No	Model		Description
	CNM0322**0	CNM0522**0	
	115/60/1	115/60/1	Machine Voltage
1.	620060163	620060163	Lower Curtain Assembly
2.	620060161	620060162	Evaporator Cover
3.	620204421	620204421	Hose Clamp, Plastic
4.	620060171	620060171	Water Distribution Tube Assembly
5.	620060168	620060169	Water Tube, Upper
6.	620060176	620060176	Coupler, Straight, 5/8 I.D. Tubing
7.	620060167	620060167	Water Tube, Sump
8.	620060164	620060164	Sump/Water Trough
9.	620060132S	620060132S	Water Pump
10.	620060002	620060002	Purge Valve
11.	620060165	620060165	Top Cover
12.	620060154	620060154	Water Inlet Valve
13.	620060175	620060175	Drain Fitting
14.	620204420	620204420	Hose Clamp, Plastic
15.	620060120	620060120	Float Switch Assembly (Includes Instructions)
16.	620060144	620060144	Purge Valve Tubing to Drain
17.	620060159	620060159	Purge Valve Tube to Inlet Outlet Bracket
18.	620060166	620060166	Inlet Outlet Bracket
19.		620060130	Evaporator-FULL Cube = 7/8 x 7/8 x 7/8
		620060131	Evaporator-HALF Cube = 3/8 x 7/8 x 7/8
20.	620060158	620060158	Water Inlet Valve to Inlet Outlet Bracket Tube
21.	620060128		Evaporator-FULL Cube = 7/8 x 7/8 x 7/8
	620060129		Evaporator-HALF Cube = 3/8 x 7/8 x 7/8

NOTE: \* = Represent Condenser type and Cube Size Refer page 1 for Details.

220-240/50/1 Machine Voltage			
Item No.	Model Number		Description
	CNM0322**5	CNM0522**5	
1.	620060163	620060163	Lower Curtain Assembly
2.	620060161	620060162	Evaporator Cover
3.	620204421	620204421	Hose Clamp, Plastic
4.	620060171	620060171	Water Distribution Tube Assembly
5.	620060168	620060169	Water Tube, Upper
6.	620060176	620060176	Coupler, Straight, 5/8 I.D. Tubing
7.	620060167	620060167	Water Tube, Sump
8.	620060164	620060164	Sump/Water Trough
9.	620060133S	620060133S	Water Pump
10.	620060003	620060003	Purge Valve
11.	620060165	620060165	Top Cover
12.	620060155	620060155	Water Inlet Valve
13.	620060175	620060175	Drain Fitting
14.	620204420	620204420	Hose Clamp, Plastic
15.	620060120	620060120	Float Switch Assembly (Includes Instructions)
16.	620060144	620060144	Purge Valve Tubing to Drain
17.	620060159	620060159	Purge Valve Tube to Inlet Outlet Bracket
18.	620060166	620060166	Inlet Outlet Bracket
19.		620060130	Evaporator-FULL Cube = 7/8 x 7/8 x 7/8
		620060131	Evaporator-HALF Cube = 3/8 x 7/8 x 7/8
20.	620060158	620060158	Water Inlet Valve to Inlet Outlet Bracket Tube
21.	620060128		Evaporator-FULL Cube = 7/8 x 7/8 x 7/8
	620060129		Evaporator-HALF Cube = 3/8 x 7/8 x 7/8

# AIR COOLED PART LIST

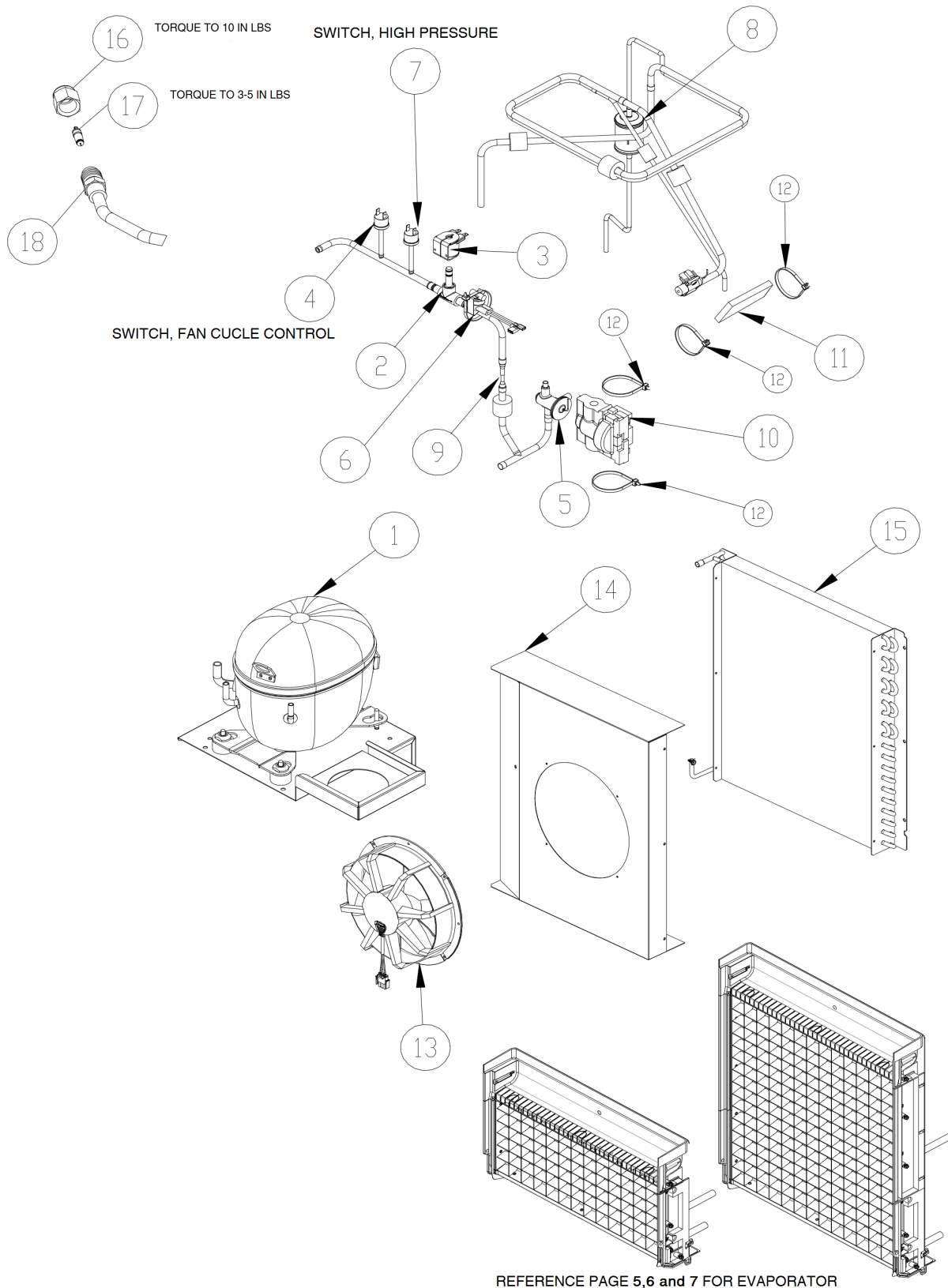


Figure 3.

NOTE: \* = Cube Size Refer page 1 for more details.

Item No.	Model Number		Description
	CNM0322A*0	CNM0522A*0	
	115/60/1	115/60/1	<b>Machine Voltage</b>
1.	620060206	620060202	Compressor Kit
2.	620060186	620060184	Hot Gas Valve Body
3.	620060187	620060187	Hot Gas Valve Coil
4.	620060153	620060153	Switch, Fan Cycle
5.	620204920	620204628	TXV
6.	620060152	620060152	High Temp Switch
7.	620060156	620060156	Switch, High Pressure
8.	620204951	620204951	Drier (Included in Compressor Kit)
9.	620060177	620060177	Restrictor
10.	620060179	620060179	Insulation, TXV
11.	620060178	620060178	Insulation, Bulb
12.	620060149	620060149	Cable Tie-For TXV and Bulb Insulation
13.	620060189	620060189	Fan Motor Assembly
14.	620060139	620060139	Fan Shroud
15.	620060180	620060180	Condenser
16.	620204535	620204535	Service Valve Cap
17.	620204534	620204534	Service Valve Core
18.	620060174	620060174	Service Valve Stem
	<b>CNM0330A*0</b>	<b>CNM0522A*0</b>	<b>Starting Components (Included in Comp Kit)</b>
	620060206	620060202	Compressor Kit
	620204989	620204989	Start Capacitor
	620204990	620204990	Run Capacitor
	620060200	620204679	Compressor Relay
	620060193	620204993	Overload



NOTE: \* = Cube Size Refer Page 1 for more details.

220-240/50/1 Machine Voltage			
	Model Number		Description
	CNM0322A*5	CNM0522A*5	
1.	620060208	620060209	Compressor Kit
2.	620060186	620060184	Hot Gas Valve Body
3.	620060188	620060188	Hot Gas Valve Coil
4.	620060153	620060153	Switch, Fan Cycle
5.	620204920	620204628	TXV
6.	620060152	620060152	High Temp Switch
7.	620060156	620060156	Switch, High Pressure
8.	620204951	620204951	Drier (Included in Compressor Kit)
9.	620060177	620060177	Restrictor
10.	620060179	620060179	Insulation, TXV
11.	620060178	620060178	Insulation, Bulb
12.	620060149	620060149	Cable Tie-For TXV and Bulb Insulation
13.	620060190	620060190	Fan Motor Assembly
14.	620060139	620060139	Fan Shroud
15.	620060180	620060180	Condenser
16.	620204535	620204535	Service Valve Cap
17.	620204534	620204534	Service Valve Core
18.	620060174	620060174	Service Valve Stem

CNM0322A*5	CNM0522A*5	Starting Components (Included in Comp Kit)
620060208	620060209	Compressor Kit
620204998	620204654	Start Capacitor
620060197	620060198	Run Capacitor
620204994	620060201	Compressor Relay
620060194	620060195	Overload

# WATER COOLED PART LIST

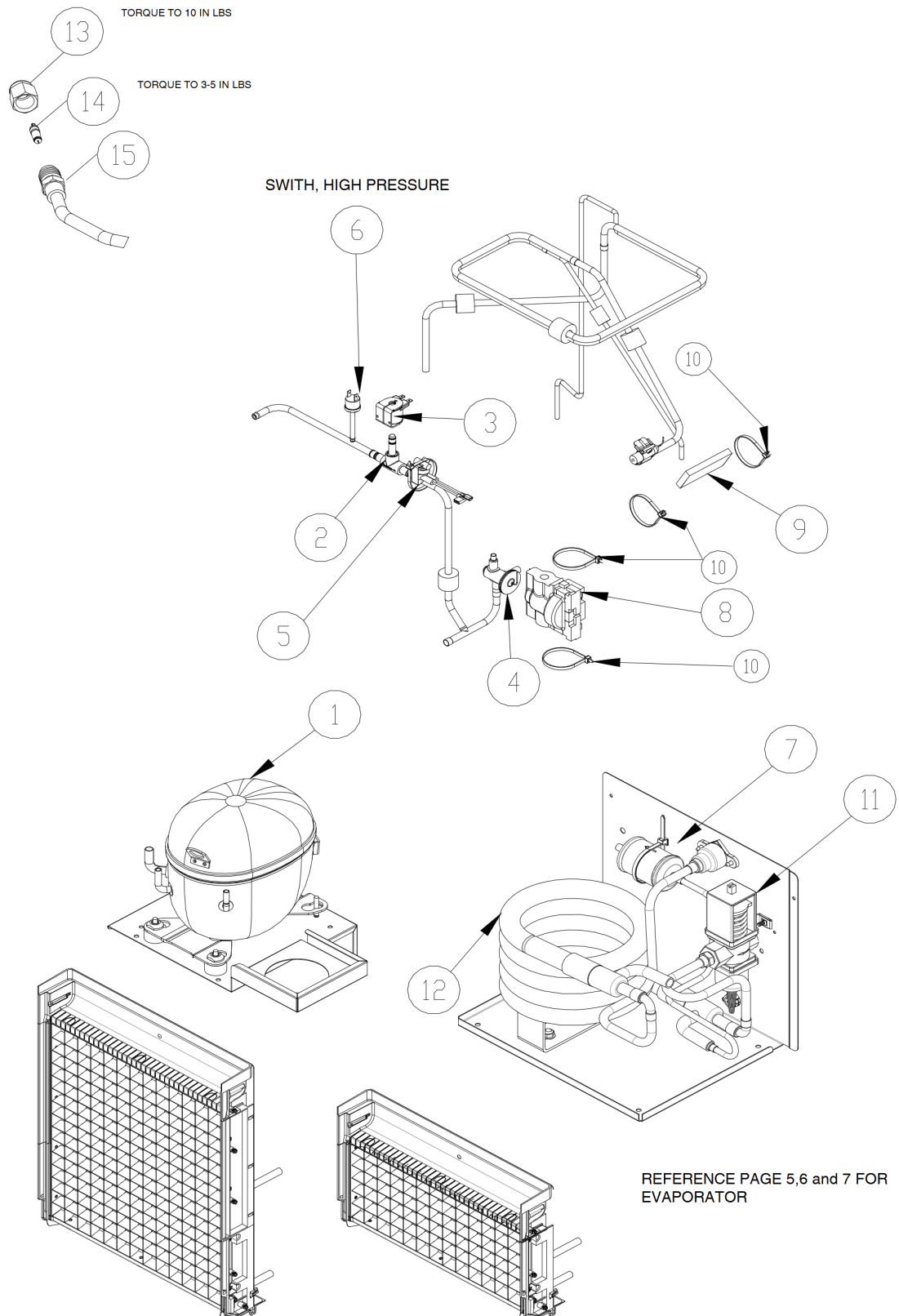


Figure 4.



NOTE: \* = Cube Size Refer Page 1 for more details.

Item No.	Model		Description
	CNM0322W*0	CNM0522W*0	
	115/60/1	115/60/1	<b>Machine Voltage</b>
1.	620060206	620060202	Compressor Kit
2.	620060186	620060186	Hot Gas Valve Body
3.	620060187	620060187	Hot Gas Valve Coil
4.	620204920	620204628	TXV
5.	620060152	620060152	High Temp Switch
6.	620060156	620060156	Switch, High Pressure
7.	620204951	620204951	Drier (Included in Compressor Kit)
8.	620060179	620060179	Insulation, TXV
9.	620060178	620060178	Insulation, Bulb
10.	620060149	620060149	Cable Tie-For TXV and Bulb Insulation
11.	620060157	620060157	Water Regulator
12.	620060181	620060181	Condenser
13.	620204535	620204535	Service Valve Cap
14.	620204534	620204534	Service Valve Core
15.	620060174	620060174	Service Valve Stem

CNM0322A*0	CNM0522A*0	Starting Components (Included in Comp Kit)
620060206	620060202	Compressor Kit
620204989	620204989	Start Capacitor
620204990	620204990	Run Capacitor
620060200	620204679	Compressor Relay
620060193	620204993	Overload



220-240/50/1 Machine Voltage		
Item	Model	Description
	<b>CNM0522W*5</b>	
1.	620060209	Compressor Kit
2.	620060186	Hot Gas Valve Body
3.	620060188	Hot Gas Valve Coil
4.	620204628	TXV
5.	620060152	High Temp Switch
6.	620060156	Switch, High Pressure
7.	620204951	Drier <b>(Included in Compressor Kit)</b>
8.	620060179	Insulation, TXV
9.	620060178	Insulation, Bulb
10.	620060149	Cable Tie-For TXV and Bulb Insulation
11.	620060157	Water Regulator
12.	620060181	Condenser
13.	620204535	Service Valve Cap
14.	620204534	Service Valve Core
15.	620060174	Service Valve Stem

<b>CNM0522A*5</b>	Starting Components (Included in Comp Kit)
620060209	Compressor Kit
620204654	Start Capacitor
620060198	Run Capacitor
620060201	Compressor Relay
620060195	Overload

# ELECTRICAL PART LIST

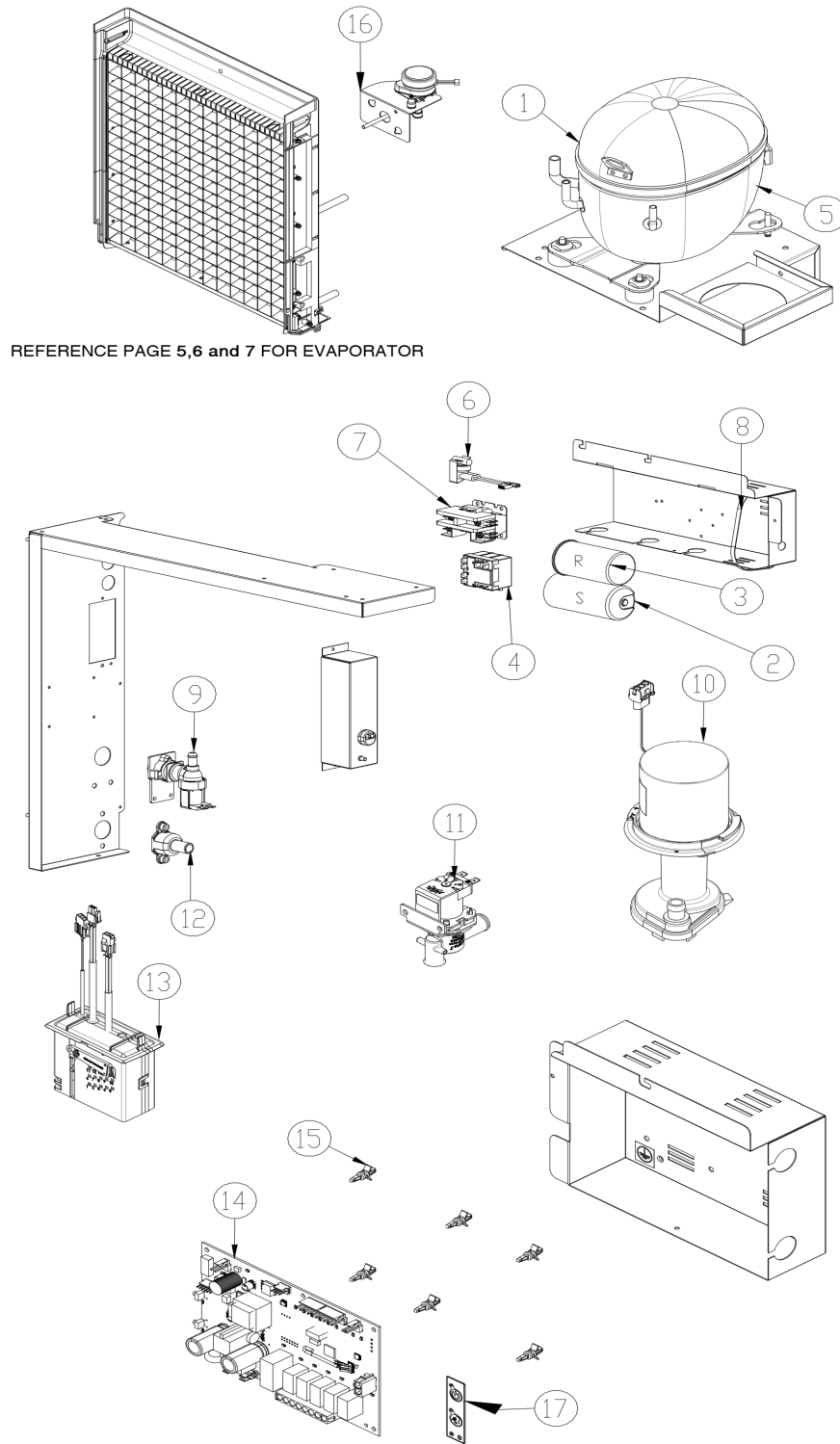


Figure 5.

NOTE: \* = Cube Size Refer Page 1 for more details.

Item	Model Number		Description
	CNM0322A*0	CNM0522A*0	
	115/60/1	115/60/1	Machine Voltage
1.	620060206	620060202	Compressor
2.	620204989	620204989	Start Capacitor
3.	620204990	620204990	Run Capacitor
4.	620060200	620204679	Potential Relay
5.	620060193	620204993	Overload
6.	620060152	620060152	Switch, High Temp
7.	620204546	620204546	Contactora
8.	620060196	620060196	Cable Tie, Metal
9.	620060154	620060154	Valve, Water Inlet
10.	620060132	620060132	Water Pump
11.	620060002	620060002	Purge Valve
12.	620060175	620060175	Purge Drain
13.	620060120	620060120	Float Switch Assembly (Includes Instructions)
14.	620060210	620060210	Board Dual Voltage
15.	620060213	620060213	Plastic Standoff, Control Board (Pkg of 10)
16.	620060211	620060211	Harvest Assist
17.	620060214	620060214	Membrane Switch (Includes Cable)

220-240/50/1 Machine Voltage			
Item No.	Model Number		Description
	CNM0322A*5	CNM0522A / W*5	
1.	620060208	620060209	Compressor Kit
2.	620204998	620204654	Start Capacitor
3.	620060197	620060198	Run Capacitor
4.	620204994	620060201	Compressor Relay
5.	620060194	620060195	Overload
6.	620060152	620060152	Switch, High Temp
7.	620204545	620204545	Contactora
8.	620060196	620060196	Cable Tie, Metal
9.	620060155	620060155	Valve, Water Inlet
10.	620060133	620060133	Water Pump
11.	620060003	620060003	Purge Valve
12.	620060175	620060175	Purge Drain
13.	620060120	620060120	Float Switch Assembly (Includes Instructions)
14.	620060210	620060210	BoardDual Voltage
15.	620060213	620060213	Plastic Standoff, Control Board (Pkg of 10)
16.	620060212	620060212	Harvest Assist
17.	620060214	620060214	Membrane Switch (Includes Cable)





