



NORDIC CHD22 SERIES

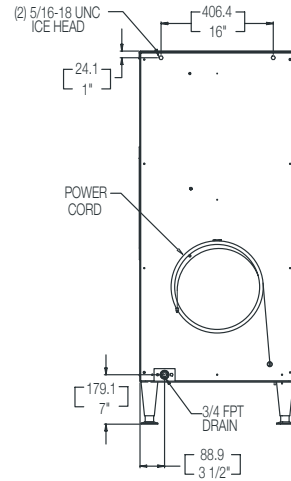
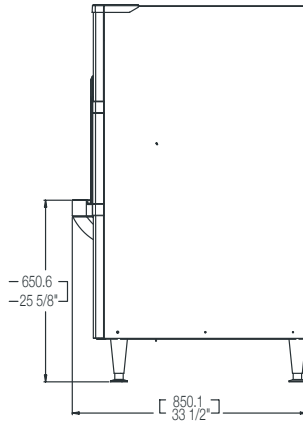
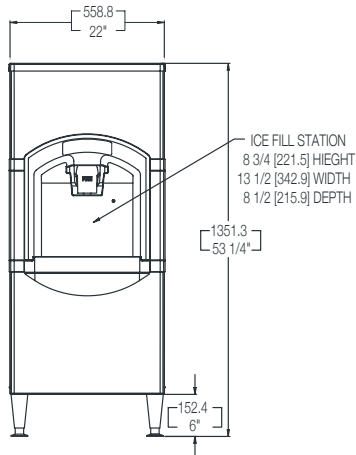
HOTEL ICE DISPENSER



FEATURES

- Large storage area** - Stores 120 lbs. (55 kgs.) of ice
- Durable** - Constructed from corrosion-resistant 300 series stainless steel
- Small footprint** - Only 22" (558 mm) wide
- Low profile** - Only 76.25" (1936 mm) tall with compatible CCM series ice machine
- Accommodating** - Oversized bucket fill area

Note: This unit is designed to have an icemaker installed on top and is not setup with a complete top so the unit can be installed as a stand alone unit.





MODEL NUMBER	VOLTAGE RATING	DISPENSER OPERATED BY:	ELECTRICAL RATINGS
CHD22P1	60 Hz	Push	115/60/1

Note #1: Model CHD22 Series dispensers accept all 22" CCM Series Ice Makers
 Note #2: CHD22 Series dispensers do not require an Adaptor and Bin Level Kit

TECHNICAL SPECIFICATIONS

- ARI BIN STORAGE CAPACITY . . . 120 (55)
- NUMBER OF WIRES 2
- MIN. CIRCUIT AMPACITY 2.1
- MAX. FUSE SIZE 15
- SHIPPING WEIGHT LBS (KGS.) . . 199 (91)

AGENCY LISTINGS  

Dimensions

