



NORDIC REMOTE CONDENSERS

FOR CUBED ICE MACHINES



RC06002 for CCM630R ice maker shown

FEATURES

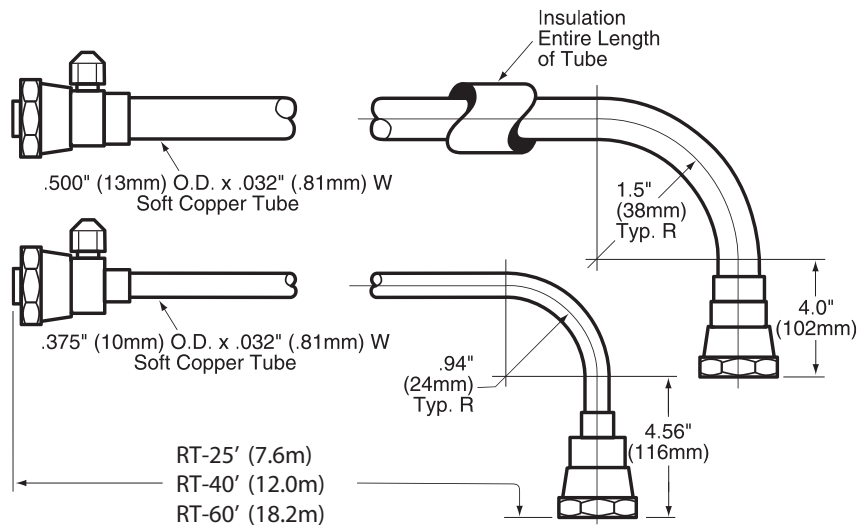
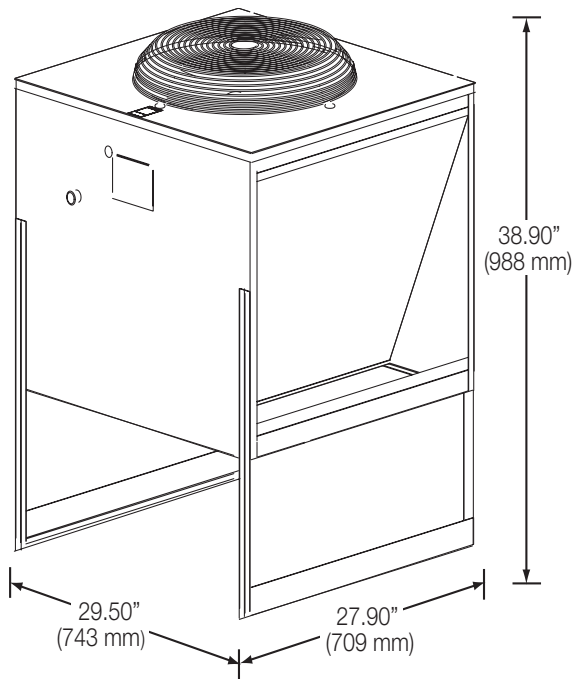
Unique – Designed for use with remote-cooled Nordic cubed ice machines

Environmentally responsible – All RC model condensers use R404A, an approved non-ozone depleting refrigerant

Durable – Constructed from sturdy, corrosion-resistant galvanized steel

Economical – Reduces air conditioning requirements and cost

Quiet – Fan is located away from the ice maker ensuring quiet operation for customers



RC05001, 06002, 08002, 14002C, 21002C

TECHNICAL SPECIFICATIONS

OPTIONS AND ACCESSORIES

MODEL NO.	Description	Shipping Weight lbs (kg)
RT25	25' ft (7.6 m) Precharged Tubing Kit for R404A models	13 (6)
RT40	40' ft (12.0 m) Precharged Tubing Kit for R404A models	18 (8)
RT60	60' ft (18.2 m) Precharged Tubing Kit for R404A models	26 (12)

SPECIFICATIONS

MODEL NO.	Description	Voltage Characteristics	Shipping Weight lbs (kg)
RC05001	Remote Condenser for one model CCM522R, 530R	115/60/1	122 (55)
RC06002	Remote Condenser for one model CCM630R	208-230/50-60/1	124 (56)
RC08002	Remote Condenser for one model CCM830R, CCM1030R	208-230/50-60/1	124 (56)
RC14002C	Remote Condenser for one model CCM1448R, CCM1530R	208-230/50-60/1	126 (57)
RC21002C	Remote Condenser for one model CCM1848R, CCM2148R	208-230/50-60/1	145 (66)
RT25	25' ft (7.6 m) Precharged Tubing Kit for R404A models		13 (6)
RT40	40' ft (12 m) Precharged Tubing Kit for R404A models		19 (9)
RT60	60' ft (18.2 m) Precharged Tubing Kit for R404A models		26 (12)

NUMBER OF WIRES
(INCLUDING GROUND)..... 3

AGENCY LISTING

