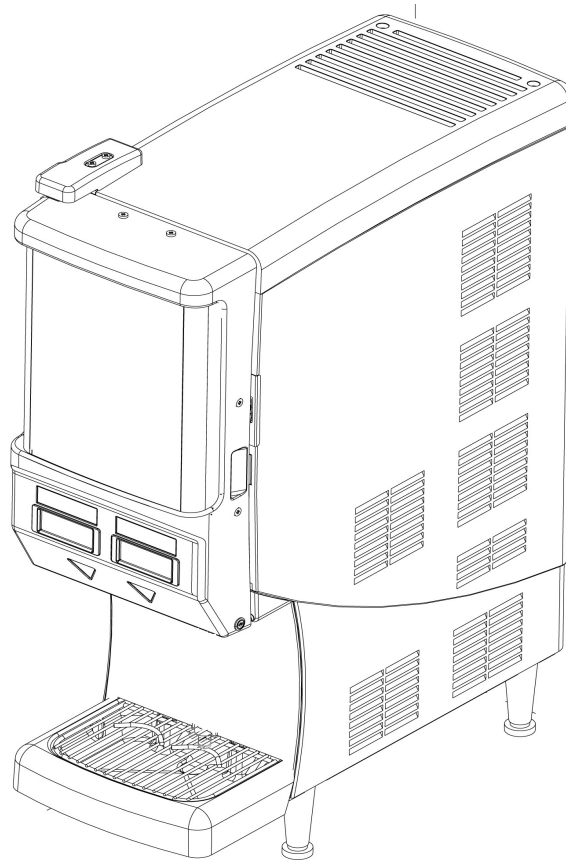




QUEST ELITE 2000

ILLUSTRATED PARTS LIST



Release Date: February 17, 2011

Publication Number: 620048922IPL

Revision Date: Feb 28, 2018

Revision: N

Visit the Cornelius web site at www.cornelius.com for all your Literature needs.

The products, technical information, and instructions contained in this manual are subject to change without notice.

These instructions are not intended to cover all details or variations of the equipment, nor to provide for every possible contingency in the installation, operation or maintenance of this equipment. This manual assumes that the person(s) working on the equipment have been trained and are skilled in working with electrical, plumbing, pneumatic, and mechanical equipment. It is assumed that appropriate safety precautions are taken and that all local safety and construction requirements are being met, in addition to the information contained in this manual.

This Product is warranted only as provided in Cornelius' Commercial Warranty applicable to this Product and is subject to all of the restrictions and limitations contained in the Commercial Warranty.

Cornelius will not be responsible for any repair, replacement or other service required by or loss or damage resulting from any of the following occurrences, including but not limited to, (1) other than normal and proper use and normal service conditions with respect to the Product, (2) improper voltage, (3) inadequate wiring, (4) abuse, (5) accident, (6) alteration, (7) misuse, (8) neglect, (9) unauthorized repair or the failure to utilize suitably qualified and trained persons to perform service and/or repair of the Product, (10) improper cleaning, (11) failure to follow installation, operating, cleaning or maintenance instructions, (12) use of "non-authorized" parts (i.e., parts that are not 100% compatible with the Product) which use voids the entire warranty, (13) Product parts in contact with water or the product dispensed which are adversely impacted by changes in liquid scale or chemical composition.

Contact Information:

To inquire about current revisions of this and other documentation or for assistance with any Cornelius product contact:

www.cornelius.com
800-238-3600

Trademarks and Copyrights:

This document contains proprietary information and it may not be reproduced in any way without permission from Cornelius.

This document contains the original instructions for the unit described.

CORNELIUS INC
101 Regency Drive
Glendale Heights, IL
Tel: + 1 800-238-3600

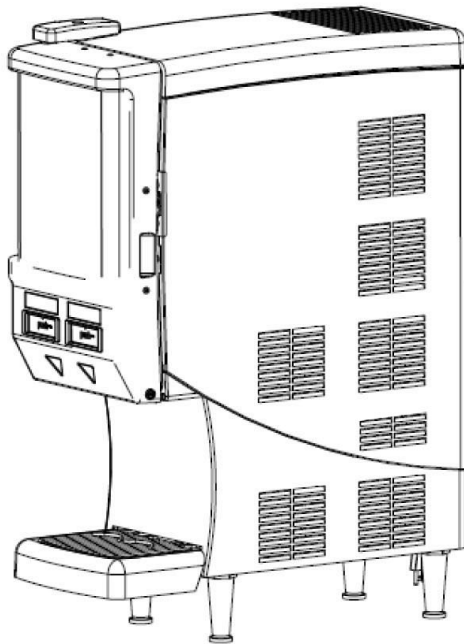
Printed in U.S.A.

TABLE OF CONTENTS

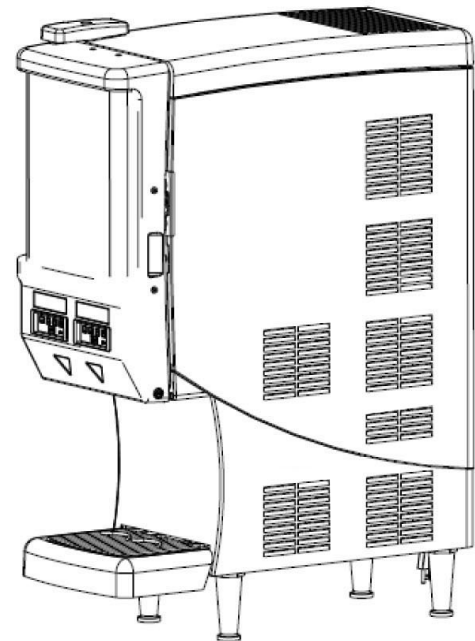
Quest Elite Units	1
2000 Final Assembly	2
2000 Door Assembly Reference (Pushbutton & Portion Control)	3
Cabinet Assembly Reference	4
Tank Cover Assembly	5
Refrigeration Frame Assembly	6
Platform Assembly Non Flush Non Soldout QST	8
Platform Assembly SLJ Flush	10
Platform Assembly QLT	12
Pump Assembly	14
Bottle Adapter Assembly	15
Valve Block Assembly	16
Electrical Box Assembly	17
P/N 720301304 (For SLJ Dispensers Only)	17
Electrical Box Assembly	18
P/N 720521000 (For QLT Dispensers Only)	18
Generic Bottle Assembly	19
Recommended Spare Parts Based on 10 Units	20



QUEST ELITE UNITS



2000 Unit with Pushbuttons



2000 Unit with Portion Control

Figure 1.

Table 1. Top Quest 2000 Assembly

Part No.	Description	Model
721402100	QSTE, SLJ non flush, 2000, 115/60, Pushbutton, Non Illuminated	QST Elite 2000
721402101	QSTE, SLJ non flush, 2000, 115/60, Pushbutton, Illuminated	QST Elite 2000
721412101	QSTE, SLJ flush, 2000, 115/60, Pushbutton, Illuminated	QST Elite 2000
721412111	QSTE, SLJ flush, 2000, 115/60, Portion, Illuminated	QST Elite 2000
721402111	QSTE SLJ Non Flush, 2000, 115/60, Portion, Illuminated	QST Elite 2000
721412201	QSTE, SLJ flush, 2000, 230/50, Pushbutton, Illuminated	Quest Elite 2000
721412211	QSTE, SLJ flush, 2000, 230/50, Portion, Illuminated	Quest Elite 2000
721422201	QSTE, QLT, 2000, 230/50, Pushbutton, Illuminated	Quest Elite 2000
721422211	QSTE, QLT, 2000, 230/50, Portion, Illuminated	Quest Elite 2000
721422311	QSTE QLT 2000, 220/60 Portion Illuminated	Quest Elite 2000
721412301	QSTE SLJ Flush 2000, 220/60 Pushbutton Illuminated	Quest Elite 2000

2000 FINAL ASSEMBLY

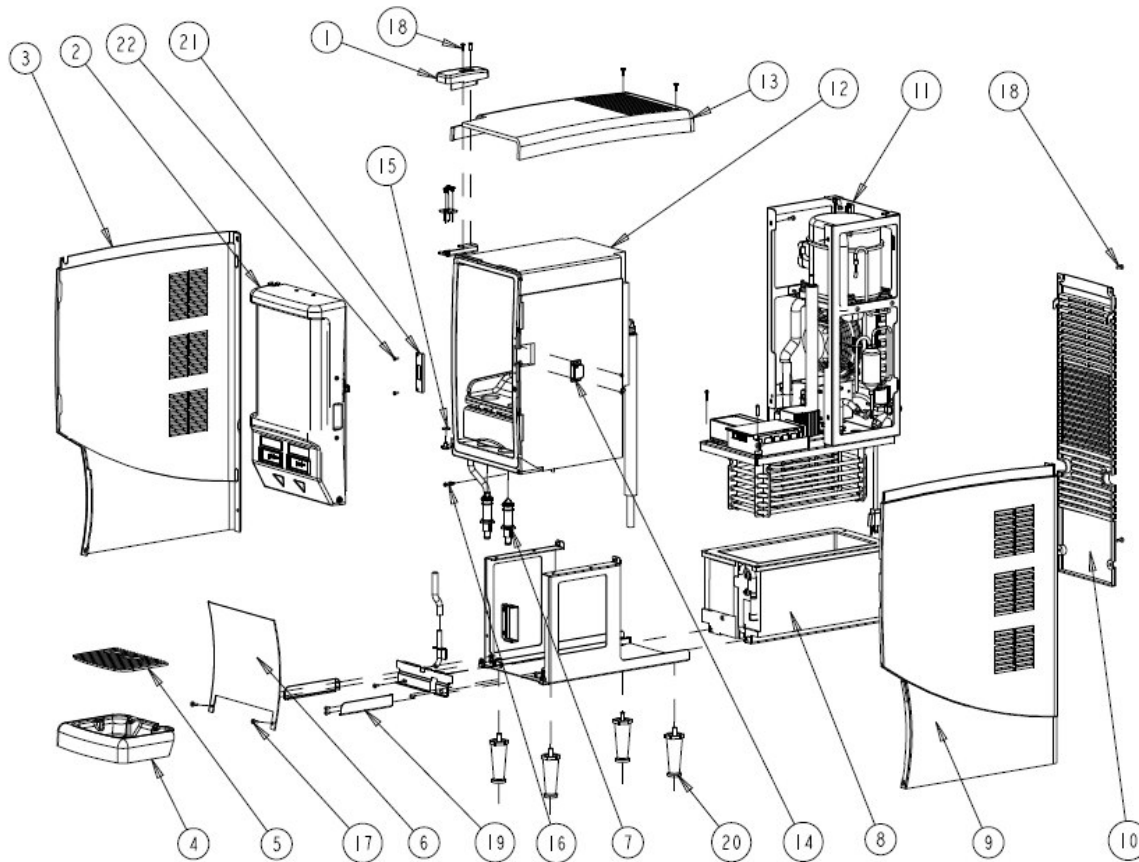


Figure 2.

Table 2. 2000 Final Assembly

Item	Part No.	Description
1	620047969	Hinge Top Cover, Quest Elite 2/4 FL
2	620047744	Merchndsr Assy Qst2 2FL
3	620054876	Side Panel LH. Quest Elite 2/4 FL
4	620049855	Drip Tray, Black W/Texture, Quest Elite 2 FL
5	620708562	Cup Rest W/LOC Quest 2 STND 8.1 X
6	620048648	Splash Panel Guard, Quest Elite 2 FL
7	620715835	Nozzle Static Mixer ASMB
8	620049092	Tank Foamed Qste Finish 2FL
9	620054875	Side Panel RH. Quest Elite 2/4 FL
10	620050923	Rear Panel, Quest 2 FL
13	620048898	Top Panel W/Cut, QST Elite 2 FL
14	720704004	Door Catch, Female 2FL / 4FL
15	620049566	Washer- Hinge Bottom QST Elite 2/4FL
16	620047782	Pin Latch Cabinet Qst2 2FL/4FL

Table 2. 2000 Final Assembly

Item	Part No.	Description
17	0704105	Screw MA #8-32 TRPH 16 SS
18	70178	Screw MA #8-32 TRPH 16 SS
19	620047429	Brkt, Drip Tray, Right, QST 2/4 FL
	620047428	Brkt, Drip Tray, Left, QST 2/4 FL
20	37958	Leg Level 4"
21	720201440	Brkt, Catch Strike Plate QST-NT
22	720701405	Screw TB D6-18 PAPH 12 SS
*	620048922	Kit Literature Pkg QST 2FL (not shown)
*	620048649	Label System Wiring Diagram QS
*	620047943	Harness Door, QST2, 2FL (not shown)
*	620048959	Harness to Power Cord QST2, 2/4FL (Not Shown)
*	11732	Harness Assembly Platform SLJ 1000 (Not shown)
*	620049320	Harn Combined Compressor Con- denser QST Elite 2/4FL (Not Shown)

2000 DOOR ASSEMBLY REFERENCE (PUSHBUTTON & PORTION CONTROL)

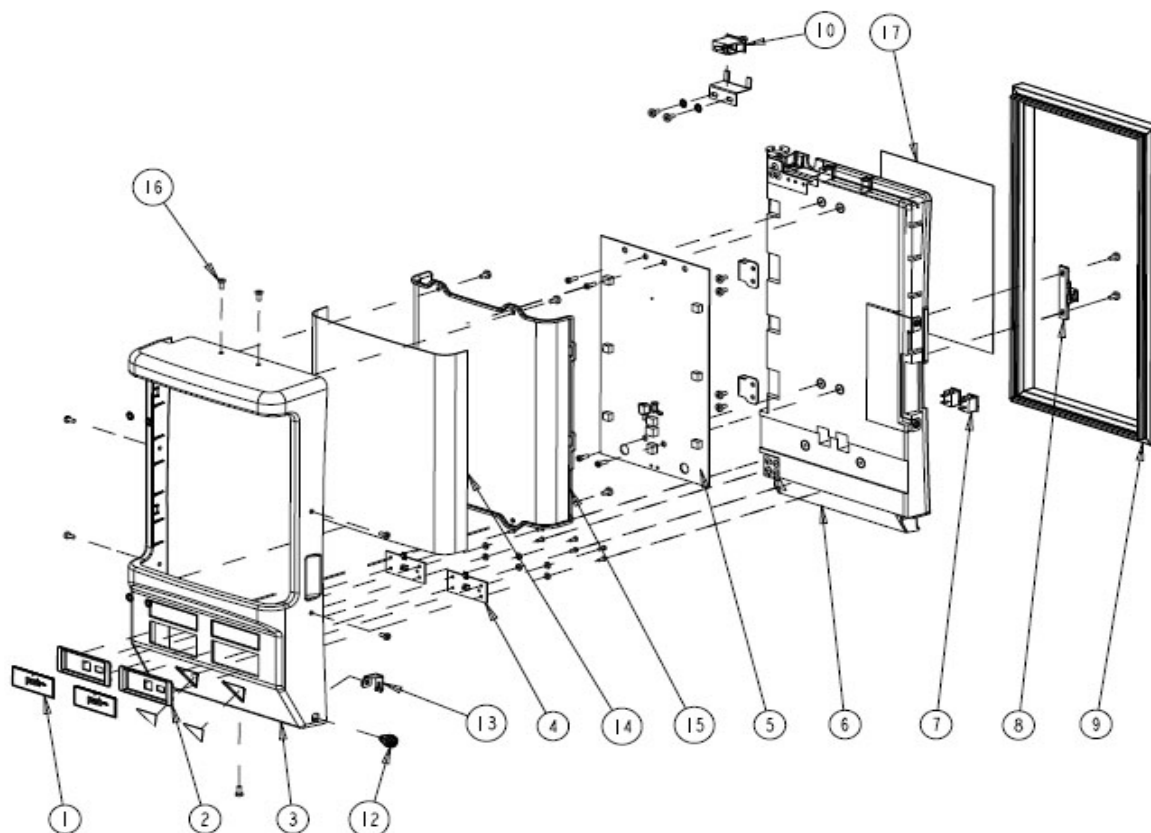


Figure 3.

Table 3. 2000 Door Assembly

Item	Part No.	Description
1	620047753	Overlay Assembly, Pushbutton Control, Quest
	620047750	Overlay Assembly, Portion Control, Quest Elite, 2/4
2	620047751	Bezel, Pushbutton, Silver, Quest Elite, 2/4 FL
	620047968	Bezel, Portion Control, Silver, Quest Elite, 2/4 FL
3	620047745	Merchandiser, Quest Elite, 2FL
4	45018001	Board Pushbutton SLJ
	49280001	Board Portion Control SLJ
5	620047679-100	LED Quest PCBA Backlight Family
6	620047754	Assembly, Door Foamed, Quest Elite, 2FL
7	620051427	Switch Rocker Unmarkedv Qste 2/4FL
8	720704005	Latch Door Male
9	620047759	Seal, Door, Quest Elite, 2FL
10	740002199	Switch Cutout 10 A MOM F6900A
11	620049097	Label Triangle Nozzle Indicator Mirror Finish QST2 2/4FL

Table 3. 2000 Door Assembly

Item	Part No.	Description
12	729011214	Kit, Lock & Key Door Quest Elite 2FL/4FL
13	620047748	Latch Mounting Lock
14	620047761	Graphic, Generic, Quest Elite, 2FL
15	620047760	Lens, Quest Elite, 2FL
16	0704101	Screw MA 8-32 TRPH 12 SS
17	620052150	Label Daily Flush & Cleaning Quest Elite Qlt
	620052151	Label Daily Flush & Cleaning SLJ Flush
	620052153	Label Daily Cleaning Qste Non Flush
*	629097007	Kit 1, Flavor Strip Quest Elite, 2/4FL (Not shown)
	629097008	Kit 2, Flavor Strip Quest Elite, 2/4FL (Not shown)
*	729011218	Kit, Conversion PB to PC, QSTE 2FL(Not Shown)
	729011219	Kit, Conversion PC to PB, QSTE 2FL (Not Shown)
*	620050925	Label Rocker Switch Details, Qste,230v, 2/4fL (Not Shown)
*	620066441	Handle, Pull Pocket (used on FN2 Models only). (Not Shown)

CABINET ASSEMBLY REFERENCE

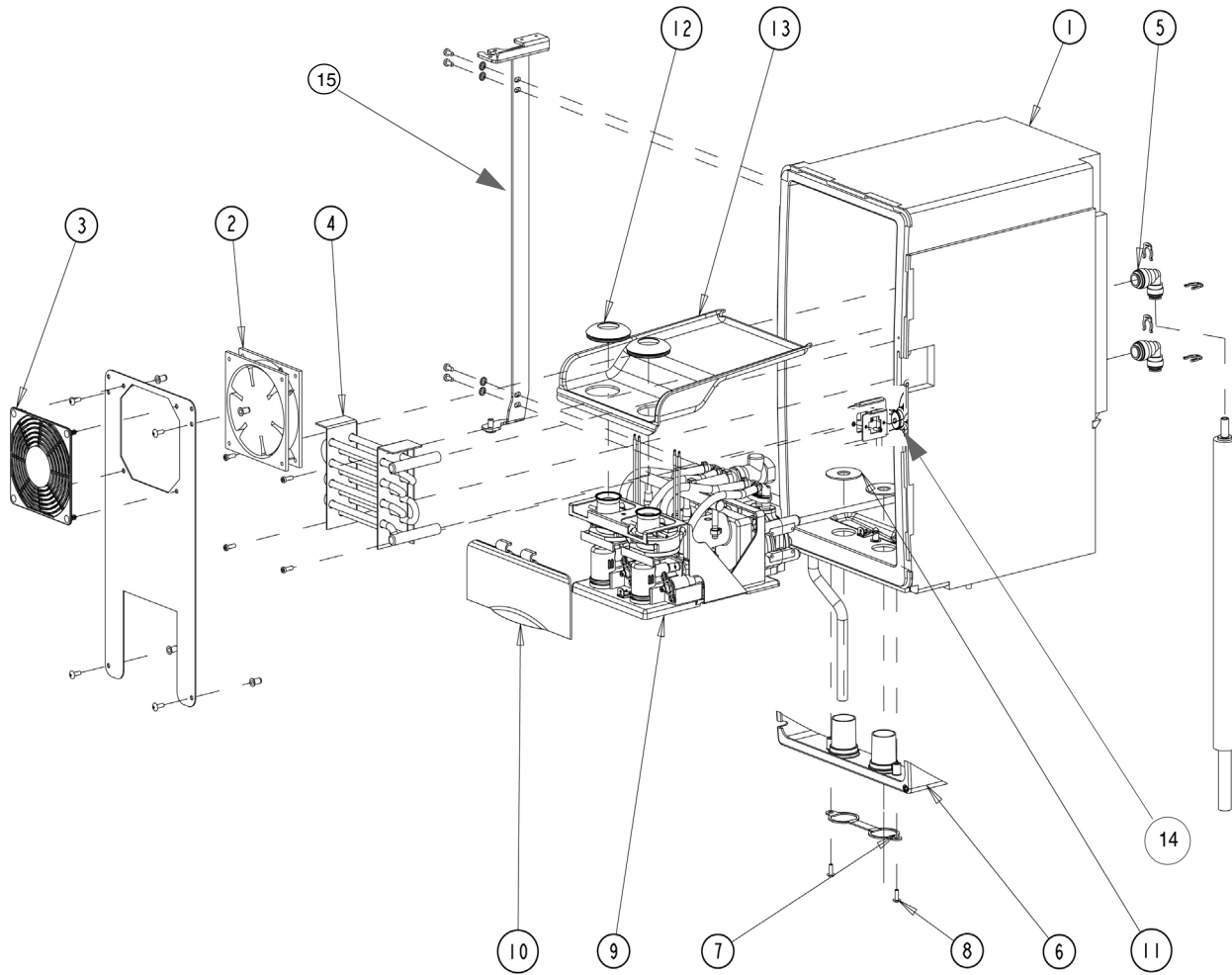


Figure 4.

Table 4. Cabinet Assembly

Item	Part No.	Description
1	620049842	Cabinet Assy QST Elite 2FL Modified Drain
2	720506104	Fan Assembly 115/60/50 4.7 X 4.7X1.0
	720506105	Fan Assembly 230/50/60 4.7 X 4.7 X1.0
3	620047512	Guard, Fan EBM 9000 & 4000
4	620049556	Cabinet Heat Exchanger, Quest Elite, 2FL
5	720509206	Fitting Push, Union Elbow, 3/8"X 1/2" LG
6	620047970	Trim Bottom W/Insert, Quest Elite, 2FL
7	720201479	Bracket Dual Nozzle Block Quest

Table 4. Cabinet Assembly

Item	Part No.	Description
8	07040007	Screw Machine, #8-32 PAPH 28SS
9	720401801X	Platform Assembly, Quest 4 SLJ Flush
	720401809	Platform Asy No Flush No Soldout QST
	720522100X	Platform Asy Qlt Qst 2000
10	720532102	Platform Door, Quest 2FL
11	S3354	Gasket Sealing Bowl Spout
12	720703301	Grommet, Seal Platform Cover Quest
13	720201510	Shelf, Cabinet, Quest 2FL
14	720200206	Fitg Insr 3/8"NPT PP
15	620047775	Brkt Hinge QST2 2FL/4FL

TANK COVER ASSEMBLY

P/N 620047892

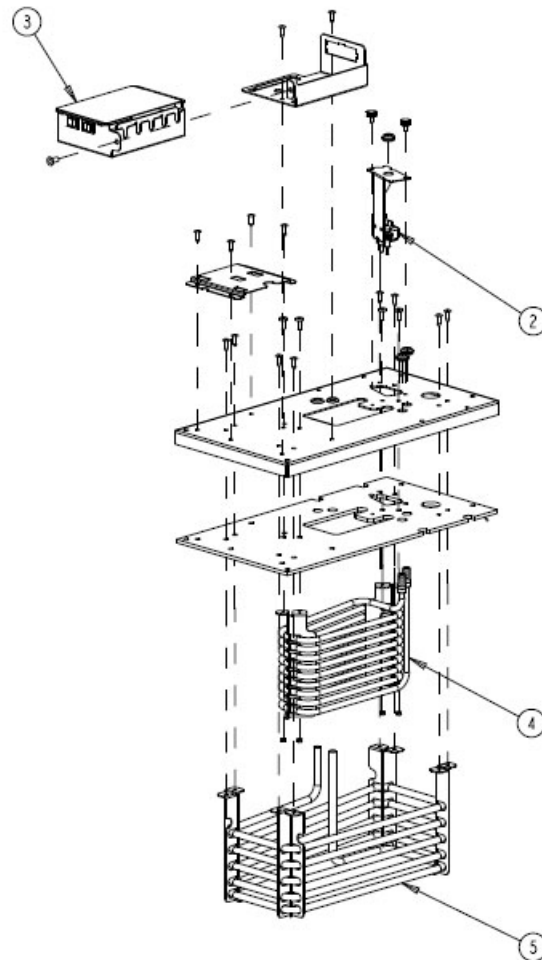


Figure 5.

Table 5. Tank Cover Assembly

Item	Part No.	Description
2	729011222	Kit Service Ice Probe Assy QSTE 2FL
3	720301304	Box Elec Asy QST2 SLJ
	720521000	Box Elec Asy Dc QST2 QLT
4	720501502	Coil, Water, QUEST 2, 2FL
5	620049563	Coil, Refrigeration QUEST Elite 2FL

REFRIGERATION FRAME ASSEMBLY

P/N 620047890 (115VAC), P/N 620049029 (230VAC), P/N 620050922 (220VAC)

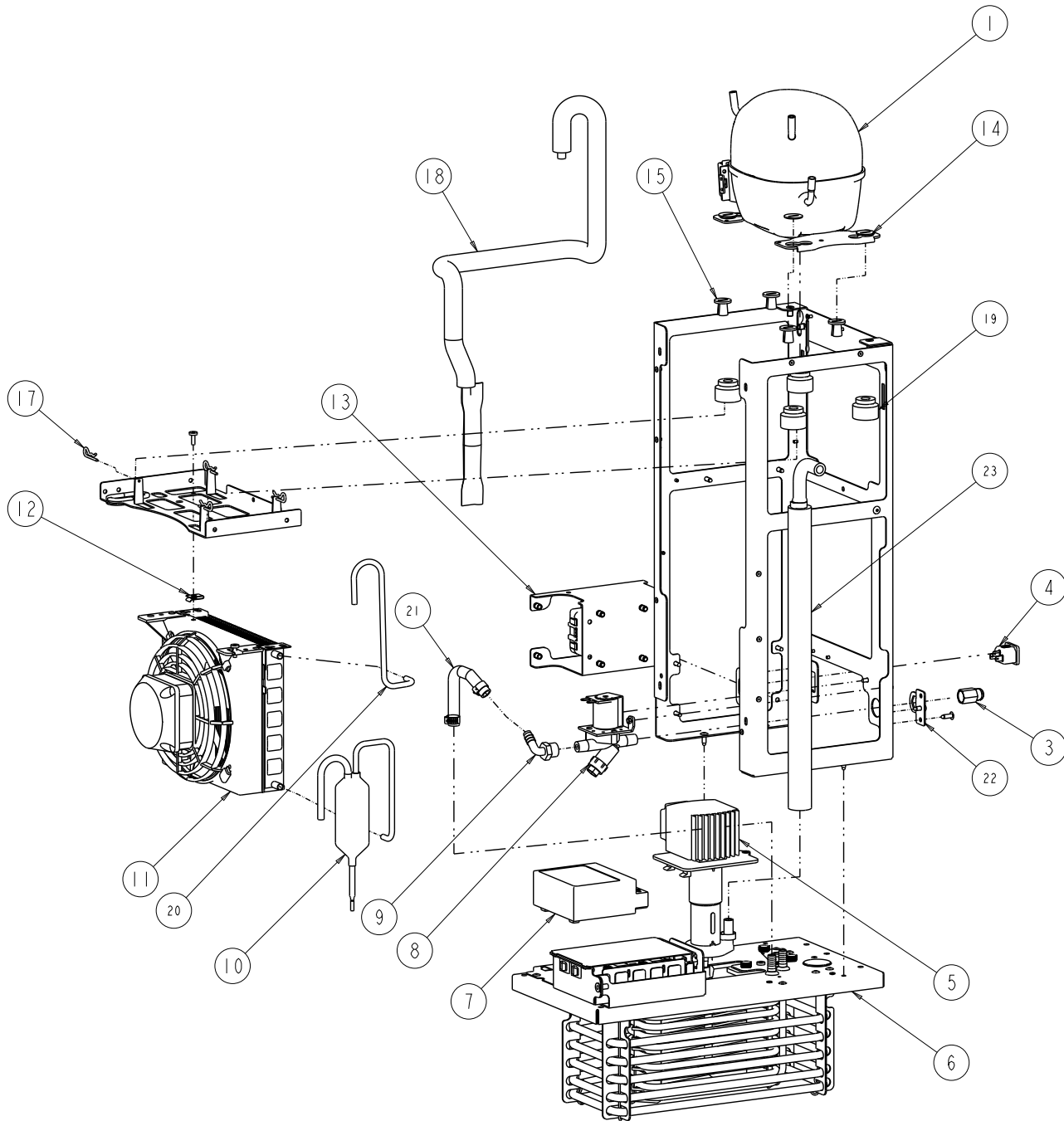


Figure 6.

Table 6.Refrigeration Frame Assembly

Item	Part No.	Description
1	629097391	Kit Comp 115V/60HZ QST 2 FL
	629097392	Kit Comp 230V/50HZ QST 2 FL
	629097393	Kit Comp 220V/60HZ QST 2 FL
3	620048659	Adapter, 1/4"FPT x 3/8"MF
4	620049959- 001	Cord Power Stra8ight IEC60320-C13 Family
	620049959- 003	Cord, Service 230V
	620049959- 007	Cord Serv 200V 60 HZ IEC 60906-1
	620049959- 008	Cord Pwr ME Version QSTE 2/4FL
	620049959- 009	Cord PWR Qste 2/4fl Cei-16/Vii Italian Plug
5	620042742	Agitator Motor Assembly 115V
	620042741	Agitator Motor Assembly 230V/50
6	620047892	Tank Cover Assyembly, Quest Elit, 2FL
7	729011138	Kit GIBC Field Quest (Not Shown)
	440000911	Control Ice Bank Global 120/240V SMPS
8	620047891	Valve Water W/Solenoid, Quest Elite, ? 2/4FL
9	620049857	Reducer, Elbow, 1/4" FPT x 3/8" Barb
10	620047114	2 Cubic Inches, Filter Dryer
11	560004366	Fan Axial Small
	560003706	Fan, Condenser Assembly, 230V, Quest Elite 2FL
	560004360	Motor- Fan 08W 120/60 Service
	560004368	Grille Cond Fan Small
	560004364	Shroud Cond Olympus Small
12	6775	Clip Tin CB14-832-4
13	620047655	Transformer, 115V, Quest Elite 2/4FL
	620047654	Transformer, 230V, Quest Elite 2/4FL
14	9649	Washer Comp Mount
15	317781000	Bushing, Split
17	08474	Clip Spring
18	620051406	Suction HX Assembly, Quest Elite 2FL
19	620049560	Grommet Ae Comp QST2
20	620058692	Line Discharge Quest 2FI
21	49034	Tube Tygon 3/8ID X 5/8
22	620054202	Brkt Solenoid Quest Elite 2/4FL
23	620049859	Tube Asy Water Inlet To HX QST2FL

PLATFORM ASSEMBLY NON FLUSH NON SOLDOUT QST

P/N 720401809

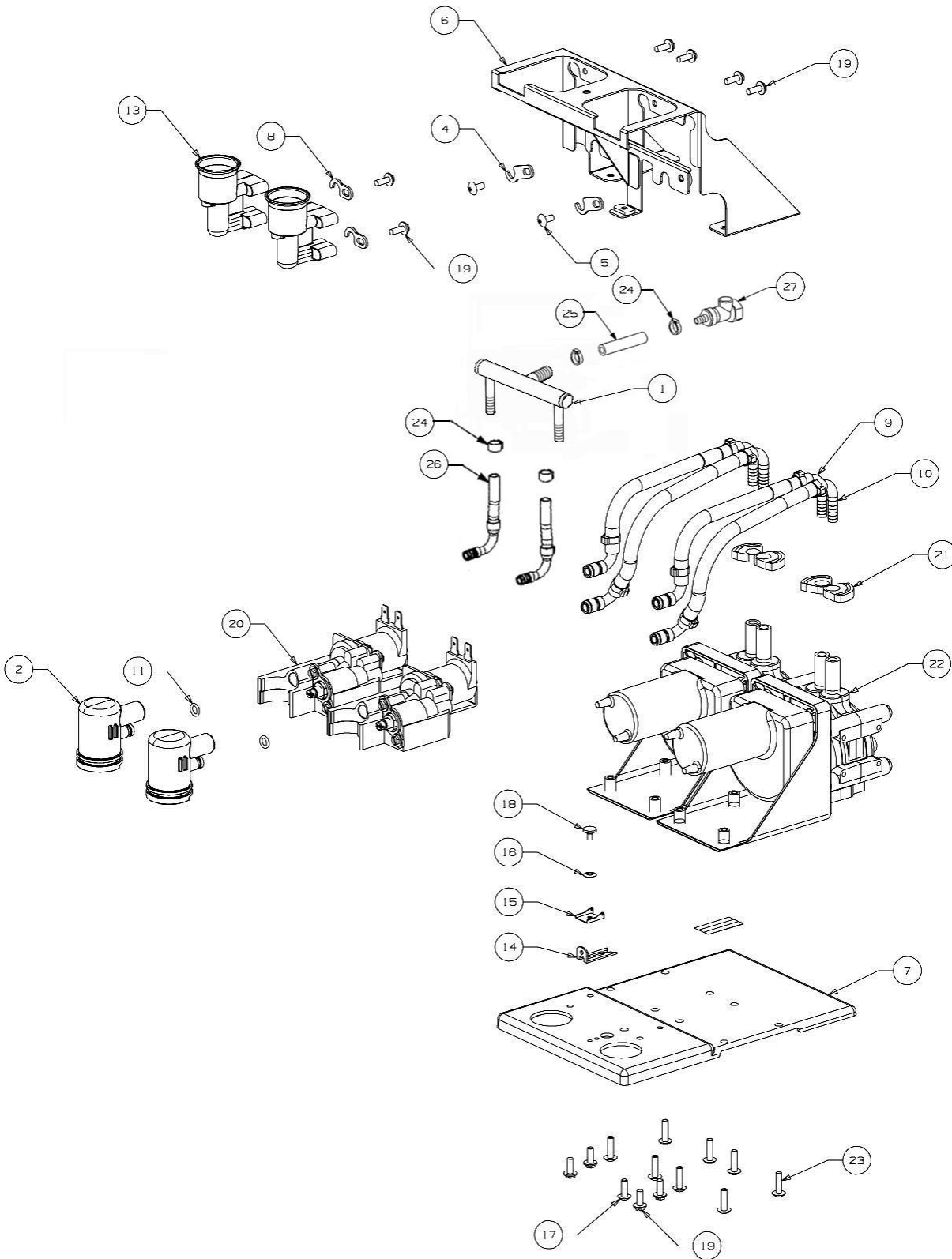


Figure 7.

Table 7.Platform Assy Non Flush Non Soldout QST

Item	Part No.	Description
1	740001713	Manifold Water In QST
2	720500033	Chamber Mixing QST4
4	724558601	Clip Tube Retainer QST
5	0704101	Screw MA 08-32 TRPH 12 SS
6	720201433	Brkt Asy Platform SLJ QST-NT
7	720202704	Base Platform SLJ QST IHOP
8	720704207	Washer Hold Down Hook RH Turn QST
9	720601338	Tube Asy Concentrate Out QST
10	720601339	Tube Asy Concentrate In QST
11	31525003	O-Ring 239ID 070CS 60DU BU-N
13	620046159	Adapter Caddy No Flush QST
14	45046	Latch #2 Medium SS
15	45047	Guide Latch #2 Med
16	45048	Washer Latch #2 Med
17	0704105	Screw MA 08-32 TRPH 16 SS
18	720800077	Rivet 125D 1/8
19	49478001	Screw Tc 08-18 Hxsl 14 Ss 25
20	45508200X	Valve Block Asy QLT Generic
21	48195006	Clamp Hose .470ID
22	45185X	Pump & Motor Asy 3-Roller
23	0704107	Screw #8-32 X 5/8 THMS SS
24	48114002	Clamp Oetr 669 Open STPLS #17.0
25	49034	Tube TYGON 3/8 IDX 5/8
26	720509104	Tube Asy Water Valve Inlet
27	720720498	Coupling In-line 3/8 ID HC35

PLATFORM ASSEMBLY SLJ FLUSH

P/N 720401801X

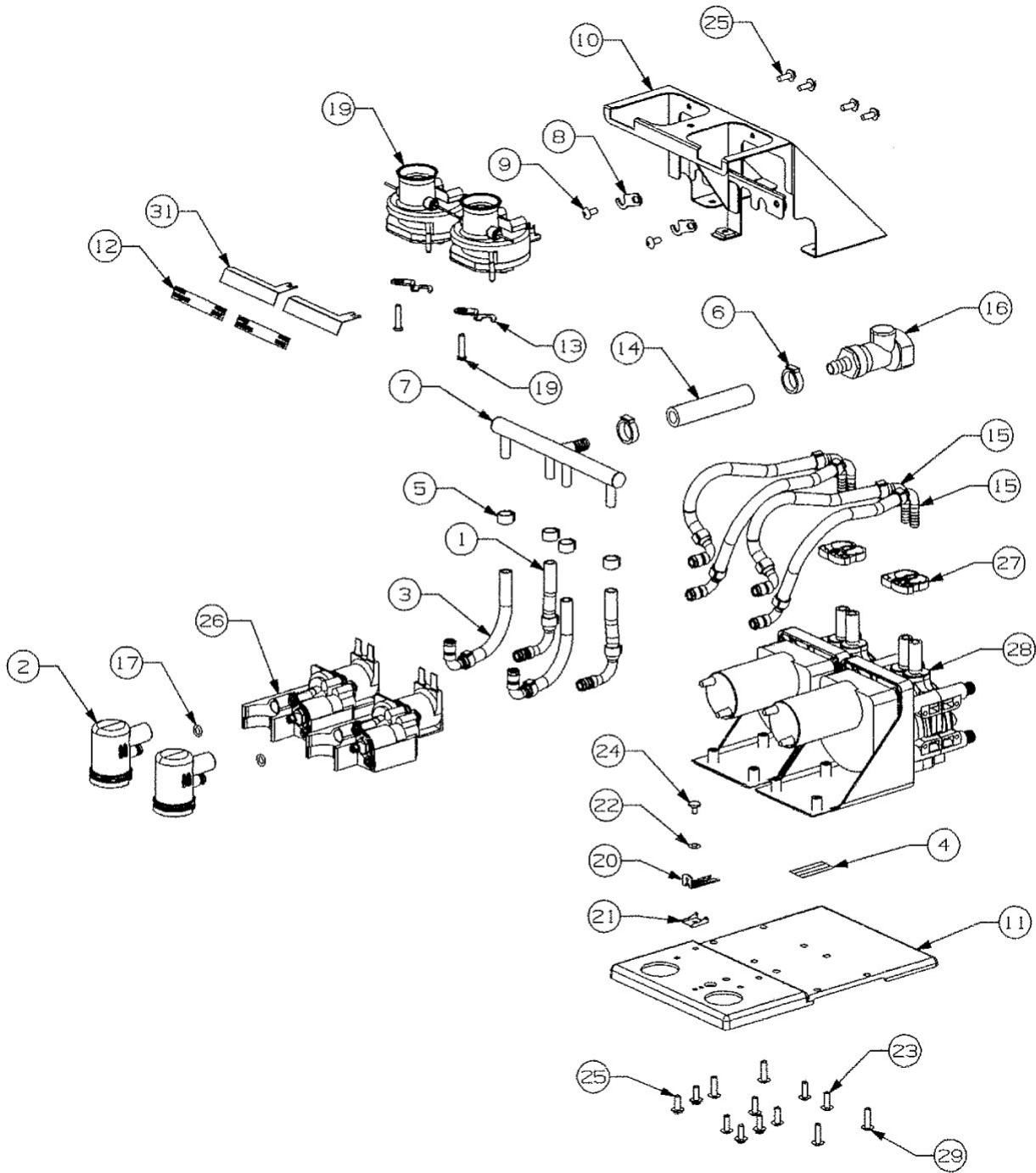


Figure 8.

Table 8. Platform Assembly SLJ Flush

Item	Part No.	Description
1	720509104	Tube Assembly Water Valve Inlet
2	720500033	Chamber Mixing QST4
3	720509105	Tube Assembly Water Rinse Inlet
5	48114004	Clamp Oetr 413Open STPLS #10.5
6	48114002	Clamp Oetr 669 Open STPLS #17.0
7	720509304	Manifold Water SS Quest 4
8	724558601	Clip Tube Retainer QST
9	0704101	Screw Machine 8-32 TRPH12SS
10	720201433	Bracket Assembly Platform SLJ QST IHOP
11	720202704	Base Platform SLJ QST IHOP
12	720901004	Label Dispense/Flush QST
13	720704207	Washer Hold Down Hook RH Turn QST
14	49034	Tube TYGON 3/8 IDX 5/8
15	720509103	Tube Assembly Suction Quest
16	720720498	Coupling In-line 3/8 ID HC35
17	31525003	O-ring 239 ID 070CS 60DU BU-N
18	11732	Harness Assembly Platform SLJ 1000(Not Shown)
19	45026X	Adapter Bottle Assembly SL DIS P
20	45046	Latch #2 Medium SS
21	45047	Guide Latch #2 MED
22	45048	Washer Latch #2 MED
23	0704105	Screw MA 08-32 TRPH 16 SS
24	720701001	Rivet Platform Base QST
25	49478001	Screw Tc 08-18 Hxsl 14 Ss 25
26	45508200X	Valve Block AS QLT Generic
27	48195006	Clamp Hose.470 ID
28	45185X	Pump & Motor Assembly 3-Roller
29	0704107	Screw #8-30 2X 5/8 THMS SS
30	720501706	Cap Plug.093 ID X 50 Long 1/2 inch
31	720201434	Bracket Platform Label SLJ QST

PLATFORM ASSEMBLY QLT

P/N 720522100X

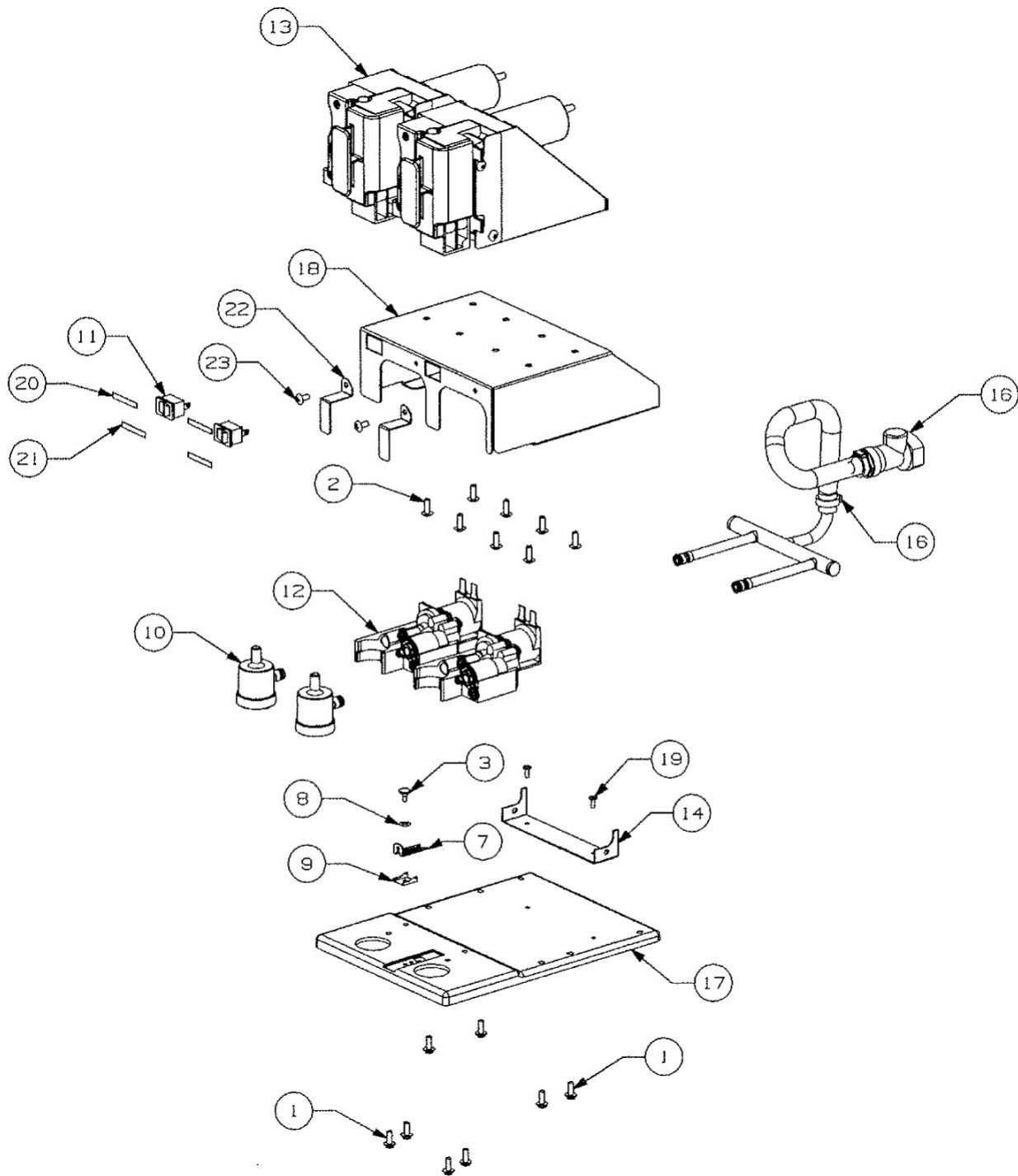


Figure 9.

**Table 9. Platform Assembly QLT**

Item	Part No.	Description
1	49478001	Screw Tc 08-18 Hxsl 14 Ss 25
2	0704105	Screw MA #8-32 TRPH 16SS
3	720701001	Rivet Platform Base Quest
4	11877	Jumper Assembly Read Flush QLT 180(Not Shown)
5	11887	Jumper Assembly Red Flush Switch AL(Not Shown)
6	11888	Harness Assembly Platform SLJT1000-2(Not Shown)
7	45046	Latch #2 Medium SS
8	45047	Guide Latch #2 MED
9	45048	Washer Latch #2 MED
10	45364001X	Chamber Mixing Assembly QLT 180 Day
11	620051427	Switch Rocker Sealed
12	45508200X	Valve Block Assembly QLT Generic
13	45514100X	Pump Assembly QLT 180
14	45542	Manifold Bracket QLT 180 2 FLAV
15	55145	Wrap, Tye 5 1/2 inch Long(Not Shown)
16	720509312	Manifold Assembly Water QLT/QST2
17	720520301	Base Platform QLT QST2
18	720522011	Bracket Support Platform QST2
20	7245541	Label Run Flush QLT 180
21	7245821	Label Clean
22	720501429	Bracket Water Adjustment Cover QS
23	07115001	Screw TF 8-32 TRPH 12SS

PUMP ASSEMBLY

P/N 45185X

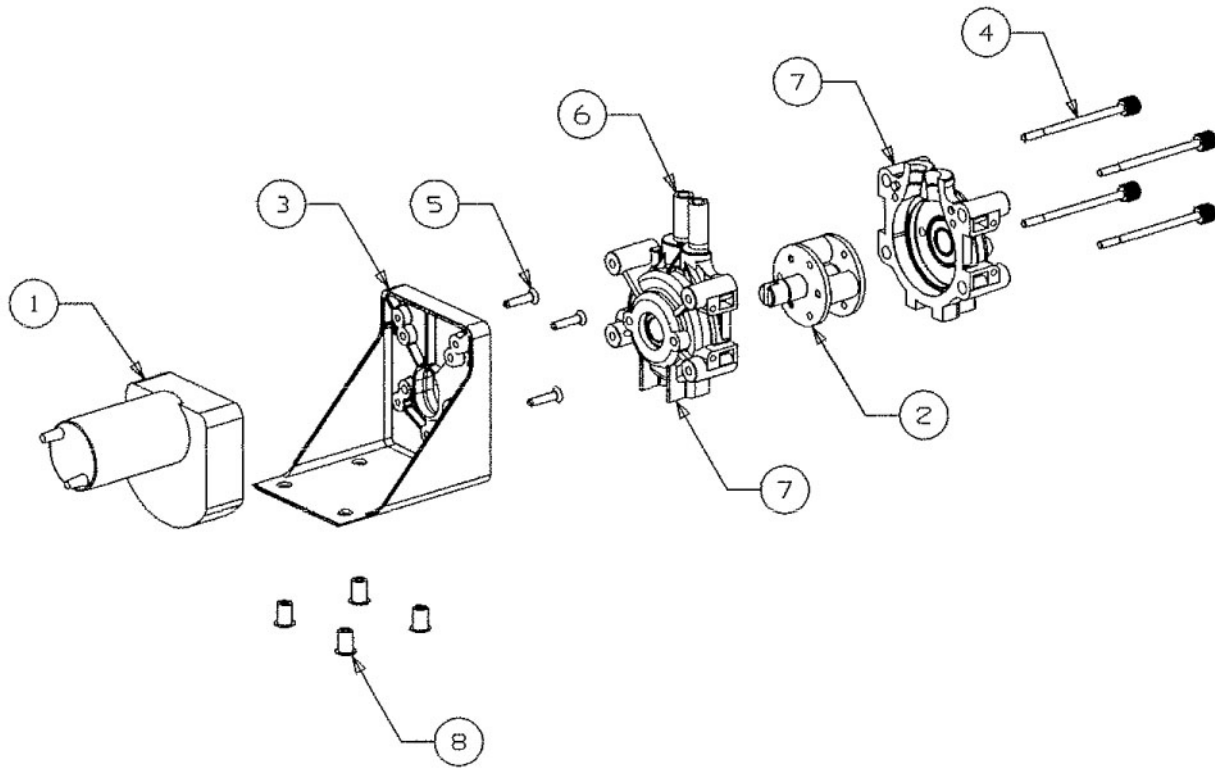


Figure 10.

Table 10. Pump Assembly

Item	Part No.	Description
1	45016001	Pump Gear Motor
2	45728001	Rotor Assembly (Thick Wall)
3	45050	Pump & Motor Mounting Block
4	70555	Screw MA 08-32 TRPH 84 SS
5	0702905	Screw #8X3/4" FHMS
6	45098	Pump Tubing Kit (Pump Tubing, Clamps & Instructions)
*	45078	Pump Assembly (Items 2 & 7)
7	45727	Pump Body, Front/Rear
8	45283	Rubber Bushing W/Nutsert Insert

BOTTLE ADAPTER ASSEMBLY

P/N 45026X

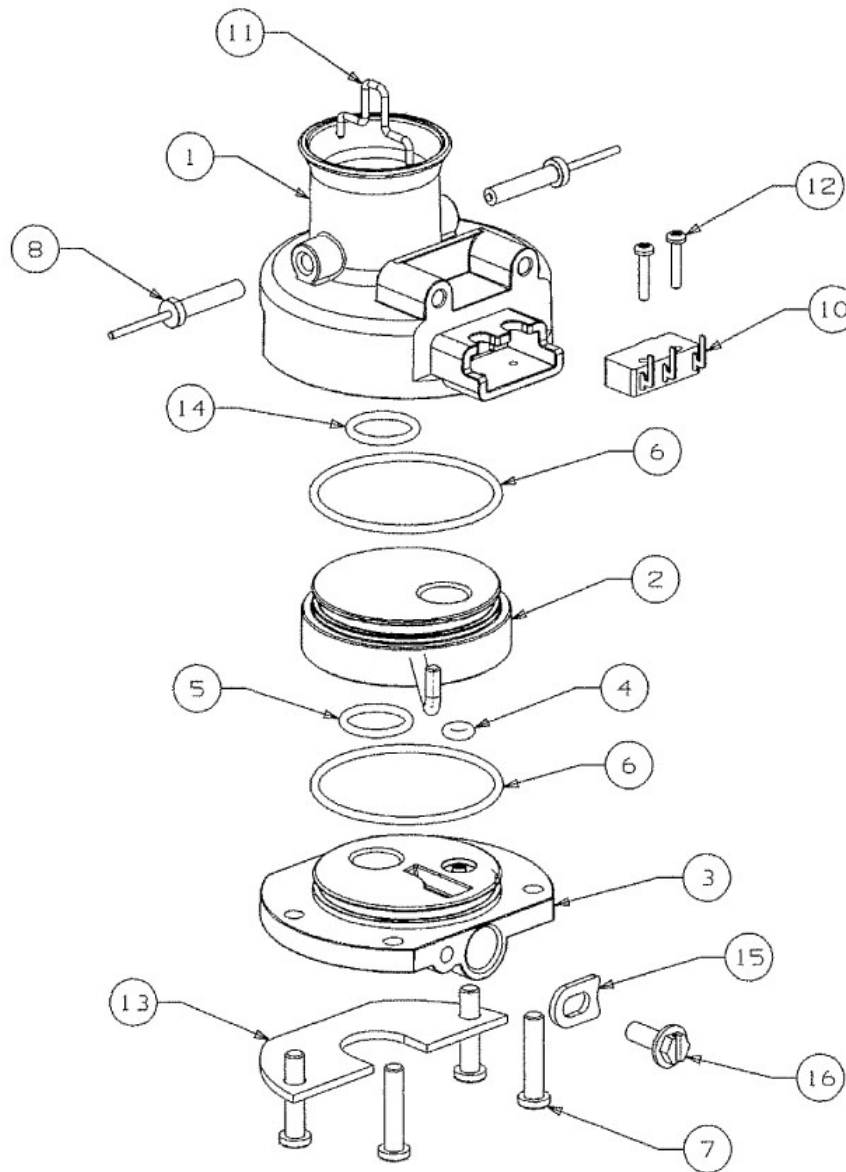


Figure 11.

Table 11. Bottle Adapter Assembly

Item	Part No.	Description
1	45060001	Caddy Adapter, Top
2	45060002	Run & Flush Valve
3	45060003	Caddy Adapter, Bottom
4	620054216	O-RING .120 ID X .080 CS EP 70FDAIL5 QSTE
5	31525064	O-Ring 5/8 inch OD X 0.489 ID TFE/SIL
6	31525061	O-Ring 1.489 inch ID X 0.070 inch DIA
*	45026100	O-Ring Kit (Includes All O-Rings Needed to Rebuild Bottle Adapter)

Table 11. Bottle Adapter Assembly

Item	Part No.	Description
7	07015001	Screw, #8-18 HI-LO, PH
8	45043	Pin-Sensor, Sold Out
10	60068021	Switch, Snap Action
11	45076	Actuator Pin
12	60067086	Screw, #2-50 6X 7/16 inch PH, SS
13	45084001	Caddy Plate
14	31525014	O-Ring 5/8 inch OD X 0.489 ID
15	71822081	Washer Hold Down
16	49478001	Screw Tc 08-18 Hxsl 14 Ss 25

VALVE BLOCK ASSEMBLY

P/N 45508200X

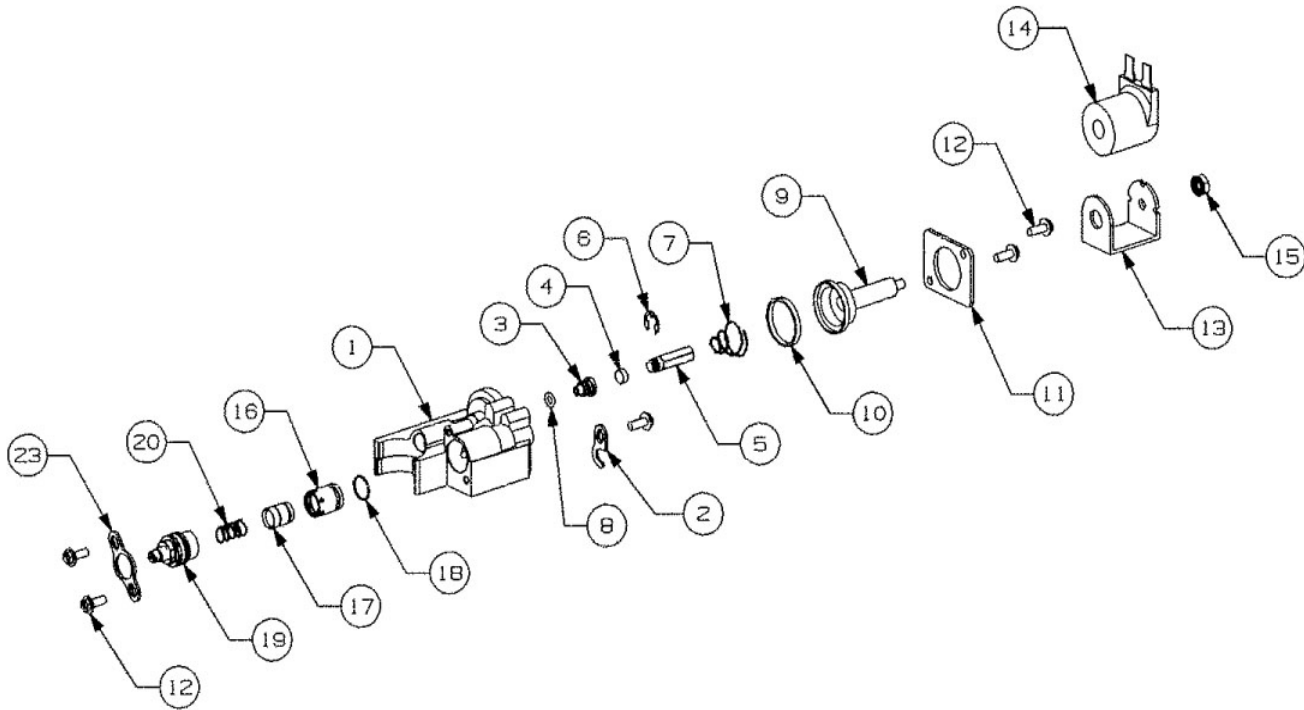


Figure 12.

Table 12. Valve Block Assembly

Item	Part No.	Description
1	45506100	Valve Block
2	45586	Hold Down Washer
3	49612	Valve Port, Water
4	620711131	Seal Armature - Water Side
5	71860290	Armature
6	71815321	Retaining Ring, 0.242 ID
7	18367	Coil Spring, SS
8	740001883	O-ring 459id 040cs Epdm E-16
9	19695001	Guide
10	620710107	Gasket FFV/SEV
11	45518	Bracket, Valve Block

Table 12. Valve Block Assembly

Item	Part No.	Description
12	49478001	Screw Tc 08-18 Hxsl 14 Ss 25
13	16779003	"C" Frame, Solenoid
14	48520001	Coil, 24VDC
15	0720406	Not #10-32 KEPS
16	60281001	Ceramic Sleeve, Syrup, FFV
17	60280002	Ceramic Piston, Water, FFV
18	316991000	O-ring Stem
19	7245699	Flow Control/Bonnet Assembly
20	48258005	Spring, Zero, FFV
23	45587	Hold Down Washer
*	48979103	Sleeve & Piston Asy Water Ceramic (Include items 16, 17&18)

ELECTRICAL BOX ASSEMBLY

P/N 720301304 (FOR SLJ DISPENSERS ONLY)

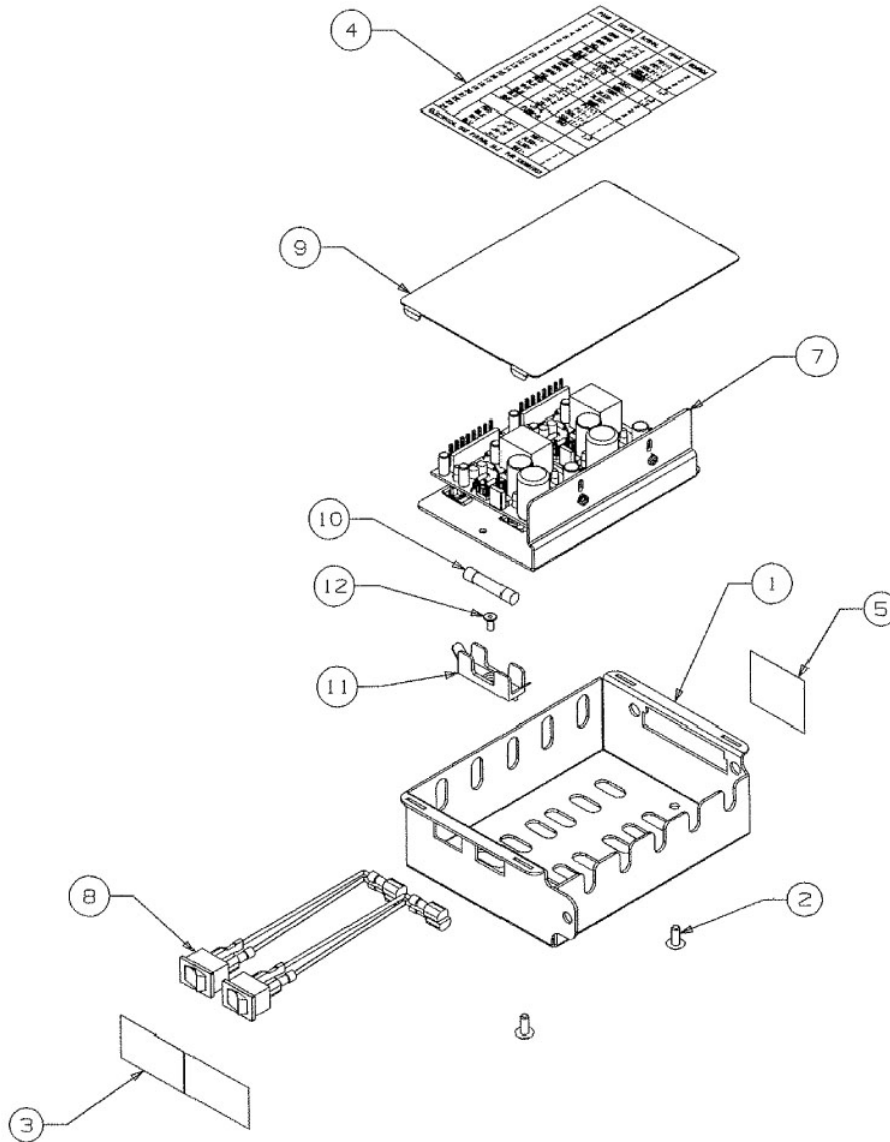


Figure 13.

Table 13. Electrical Box Assembly SLJ

Item	Part No.	Description
1	720521001	Electrical Box Quest 2000
2	07115001	Screw TF 8-32 TRPH 12 SS
3	45621	Label Pump Speed Switch
4	720901003	Label Wiring Electrical Box
5	45758	Label Fuse Rating
6	720301708	Wire Harness Internal Electrical Box SLJ Quest 2000

Table 13. Electrical Box Assembly SLJ

Item	Part No.	Description
7	720504504	Voltage Regulator Assembly Quest
8	45432001	Rocker Switch Assembly
9	720521201	Cover Electrical Box Quest 2000
10	59328001	Fuse 6.25 A 250V SLJ
11	7245059	Fuse Holder
12	734801	Rivet, Pop

ELECTRICAL BOX ASSEMBLY

P/N 720521000 (FOR QLT DISPENSERS ONLY)

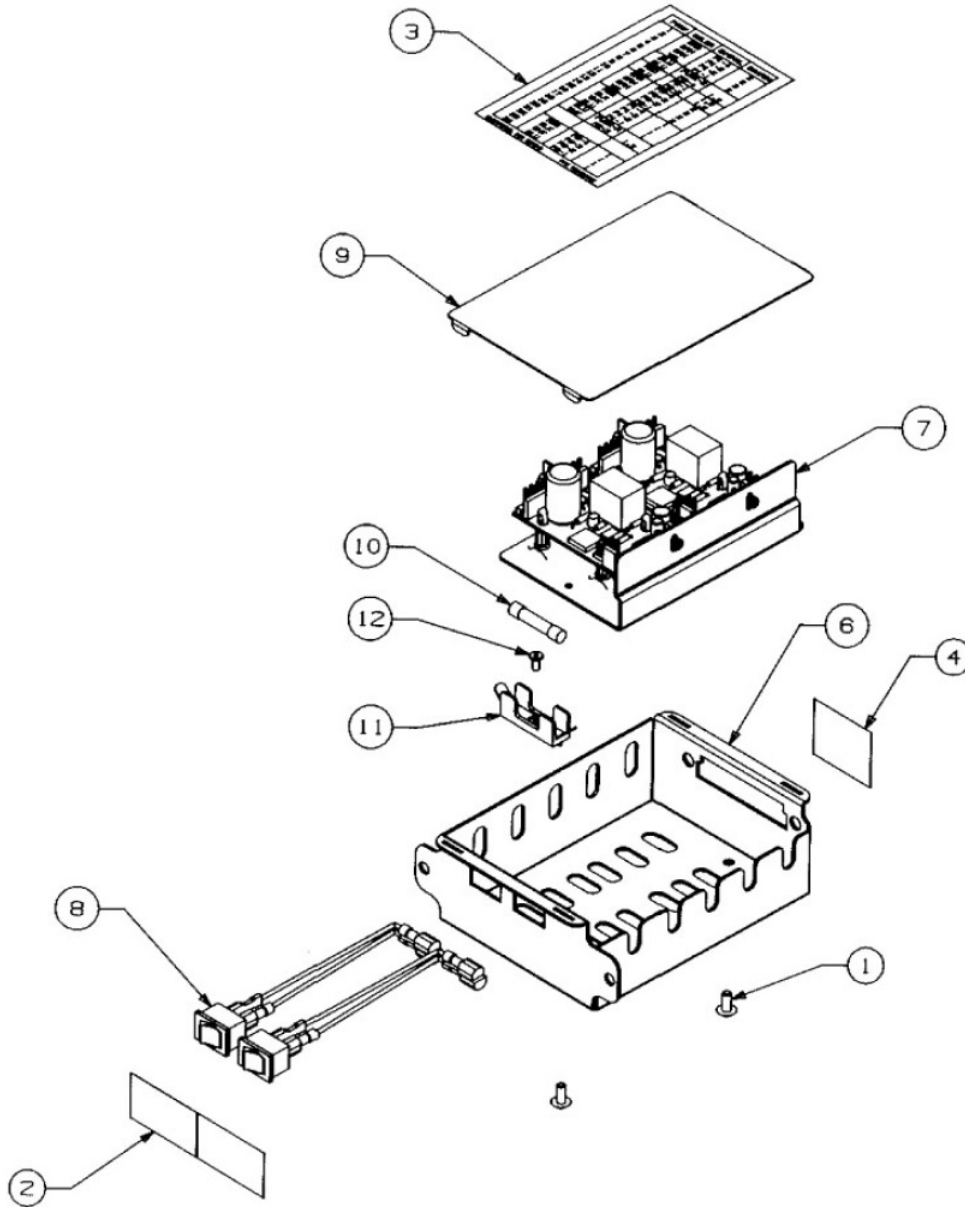


Figure 14.

Table 14. Electrical Box Assembly QLT

Item	Part No.	Description
1	07115001	Screw TF, #8-32 TRPH, 12 SS
2	45621	Label Pump Speed Switch
3	720901002	Label Wiring E-Box
4	45758	Label Fuse Rating
5	720522003	Wire Harness Internal Electrical Box QST 2000 QLT
6	720521001	Electrical Box Quest 2000

Table 14. Electrical Box Assembly QLT

Item	Part No.	Description
7	720521500	Reg. Voltage Assembly QLT Quest 2000
8	45432001	Rocker Switch Assembly
9	720521201	Cover Electrical Box Quest 2000
10	59328001	Fuse 6.25 AMP 250V SLJ
11	7245059	Fuse Holder
12	734801	Rivet, Pop

GENERIC BOTTLE ASSEMBLY

P/N 720401107

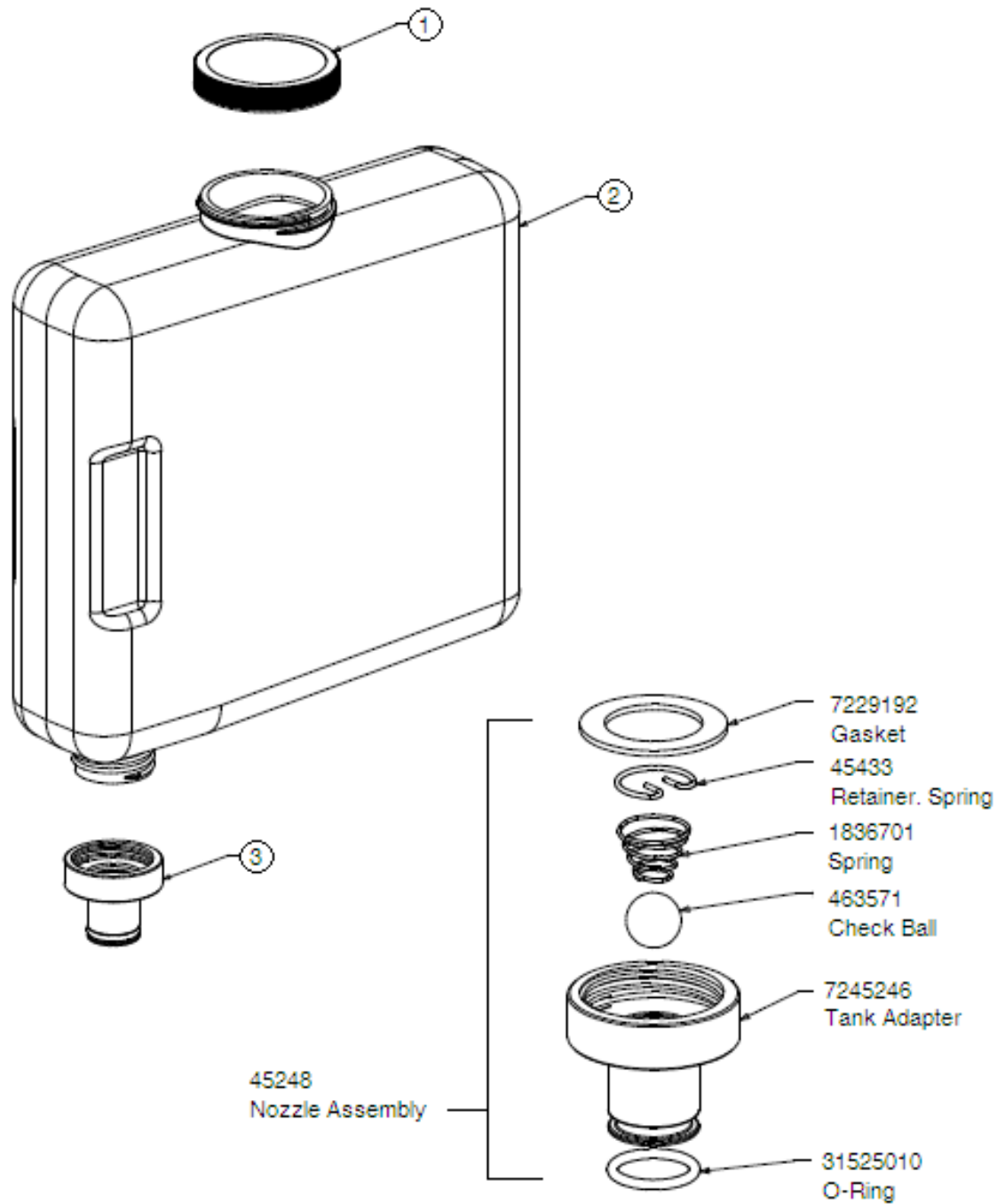


Figure 15.

Table 15. Generic Bottle Assembly

Item	Part No.	Description
1	720202010	Cap 400 Series QST
2	720401106	Bottle Refillable QST
3	45248	Adapter Assembly, Bottle

RECOMMENDED SPARE PARTS BASED ON 10 UNITS

Qty.	Part No.	Description
1	560004360	Condenser Fan, Motor 115V, 60Hz
1	560004361	Condenser Fan, Motor 230VAC
1	560004364	Fan Shroud
1	560004368	Grill Fan
1	560004366	Fan Blade
1	560004360	Motor- Fan 08W 120/60 Service
2	18367	Spring, Coil S/S-Water Solenoid
4	45098	Pump Tubing Kit
1	620051427	Switch Rocker Unmarkedv QSTE 2/4FL
1	45432	Switch Rocker Sealed
2	720521500	Voltage Regulator Board, QLT
2	720504602	Voltage Regulator Board, SLJ
2	45016001	Pump Dear Motor
1	45026100	Bottle Adapter O-Ring Kit (all O-rings in bottle adapter)
1	45728001	Pump Rotor Assembly
1	48520001	Coil, 24 VDC, Valve Block
2	48979103	Spool & Sleeve Assembly W/31525- 060 O-Ring
1	440000911	Control Ice Bank Global 120/240V SMPS
1	720520501	Drip Tray Grill
1	720500102	Drip Tray
1	720502800	Agitator Motor
2	720506104	Cabinet Fan, 115 VAC
1	720507101	Dispense Nozzle, Static Mixer, & O-Ring
1	720508801	Push Button Control Board
2	720508802	Portion Control Board
1	620047655	Transformer 120 V 60 Hz 26 V@ 4A2
1	620047891	Valve Water W/Solenoid QS T2 2/
1	620049856	Drip Tray Black W/ Texture QS T
1	720506104	Fan Assembly 115/60/50 4.7X4.7X1.0
1	620047654	Transformer 230V 60 230V 26V@4A2
1	620058693	Comp 230V/50HZ Qst 2/4FL Tcmseh
1	620058690	Comp 115V/60HZ Qst 2/4FL Tcmseh
1	620059657	Comp 220V/60HZ Qst 2/4FL Tcmseh
1	620059661	Relay Compressor TH0410YXA,115/60
1	620062280	Overload Olp For Compressor THA0410Y XA,115/60
1	620062281	Relay Compressor THA0412YXC , 230/50
1	620062282	Overload Olp For Compressor THA0412YXC, 230/5
1	620062283	Relay Compressor AZA0395YXP, 220/60
1	620062284	Overload Olp Compressor AZA0395YXP, 220/60

Cornelius Inc.
www.cornelius.com