

INSTALLATION INSTRUCTIONS

SAFETY INSTRUCTIONS

WARNING:

Before starting installation, read and understand all safety label and warnings on the machine. Also review and understand all safety instructions in the owners, installation and service manuals.

Failure to comply could result in serious injury, death or damage to the equipment.

QUALIFIED SERVICE PERSONNEL

WARNING:

Only trained and certified electrical, plumbing and refrigeration technicians should service this unit.

All wiring and plumbing must conform to national and local codes. Failure to comply could result in serious injury, death or equipment damage.

SAFETY PRECAUTIONS

This unit has been specifically designed to provide protection against personal injury. To ensure continued protection observe the following:

WARNING:

Disconnect power to the unit before servicing. Follow all lock out/tag out procedures established by the user. Verify all power is off to the unit before performing any work.

Failure to comply could result in serious injury, death or damage to the equipment.

CAUTION:

Always be sure to keep area around the unit clean and free of clutter.

Failure to keep this area clean may result in injury or equipment damage.

INSTRUCTIONS

VIPER 4 FLAVOR PLUMBING

The following instructions should be used for installation of the CO₂, Water and Syrup plumbing for a Viper 4 Flavor FCB unit at a maximum distance of 50 feet from the unit. Prior knowledge of the FCB Installation/Service Manual is necessary before attempting the installation.

CART INFORMATION AND MOUNTING

The Viper unit may be mounted on a mobile cart (Cornelius part no. 620043075 for 2-barrel unit, 620053990 for 3-barrel unit and 620046556 for 4-barrel unit) which allows some movement of the unit for service and cleaning. There are four captive nuts on the bottom of the Viper to accommodate four 3/8-16 bolts. These bolts must be installed to secure the unit to the cart.

These carts are also designed with movable wheels that act as outriggers to provide stability to the unit when it is being moved.

WARNING:

The above listed mounting bolts must be installed and the wheels extended and locked in the outboard position prior to moving the unit. **Failure to comply could result in serious injury, death or equipment damage.**

Parts List:

Table 1. Parts List

| Sl. No. | Part No. | Description | Quantity | UOM |
|---------|--------------|--|----------|-----|
| 1 | 08859 | Tie Cable, 11" Std. Dennison | 10 | EA |
| 2 | 113375000 | Tubg Vinyl 375 X 625 Transparent | 24 | FT |
| 3 | 174478000 | Tubing Flexcor 265 X 465 500'/ctn. | 10 | FT |
| 4 | 178025100 | Gasket 1/4 Male Flare Fitg | 5 | EA |
| 5 | 111353000 | Clamp 571 Open Stpls #14.5 | 35 | EA |
| 6 | 309852000 | Clamp Oetr 669 Open Stpls #17.0 | 10 | EA |
| 7 | 50418 | Bag Poly | 1 | EA |
| 8 | 620807202 | Bag Poly 10 X 13 X 2mil Ziploc | 1 | EA |
| 9 | 312926000 | Clamp 484open Stpls #12.3 | 25 | EA |
| 10 | 48114008 | Clamp 779 open Stpls #19.8 | 5 | EA |
| 11 | 620058256 | Tubg UV Resist 510x740 | 50 | FT |
| 12 | 620717792 | Tubg Sg 375ID X 535 Taste Rite | 300 | FT |
| 13 | 630900020 | S-crtn Wrap I Series Evap | 1 | EA |
| 14 | 77010100 | Nut, Swivel 7/16-20 Brni | 1 | EA |
| 15 | 77010400 | Fitg-nipl 265tube 1/4fl Nut SS | 1 | EA |
| 16 | 77046500 | Fitg Swiv 7/16-20f 3/8brb | 5 | EA |
| 17 | 77060100 | Fitg T-brb 1/4 (3) SS | 4 | EA |
| 18 | 77060900 | Fitg T-brb 3/8 (3) | 4 | EA |
| 19 | 77060200 | Fitg C-brb 1/4 (4) SS | 1 | EA |
| 20 | 77040700 | Splicer Barb 3/8"X1/4" SS | 4 | EA |
| 21 | 77062000 | Fitg C-brb 3/8 (4) | 1 | EA |
| 22 | 629096929INS | Manual Installation Kit, 4 Flavor Plumbing | 1 | EA |
| 23 | 111557000 | Valve Shut-off 3/8" Barb | 1 | EA |
| 24 | 313697000 | Valve Shut-off 1/2" Barb | 1 | EA |

NOTE: Kit part number 629097279 includes additional components which are not listed in the table above.

Tools Required

- Adjustable Wrench
- Oetiker Pliers
- Tube Cutters for Beverage Tubing

Additional Items Required

- BIB Disconnects
- BIB Pumps
- BIB Rack
- CO₂ Regulators
- Water Filter

Refer to 620043090INS for Cornelius part numbers of Additional Items in list above.

Requirements

Table 2. Requirements

| | |
|-----------------|---|
| CO ₂ | 75±1 psig at the unit |
| Water | Water 25 psig minimum flowing pressure at the unit with 2.5 gallons per minute flow rate (150gph) per 4 barrels. If the flowing pressure and flow rate are less than specified, a water pressure booster is required. See note below. |
| Syrup | 70-75 psig CO ₂ to pumps. |
| Clearances | Refer to Installation/Service Manual |

Water Requirement Note: When testing the water supply to the FCB machine the installer must take into consideration the total potential water demand that may be placed on the store water supply by all equipment within the store.

Equipment such as fountain dispensers, icemakers, coffee brewers, and juice dispensers typically draws water from a common source/filter system. The FCB machine must be supplied with water to the specification above at all times, even when any of the other equipment is drawing water. If the operation of the other appliances reduces the flow rate of water to this FCB unit below 2.5gpm (150gph), add the required water booster.

WARNING:

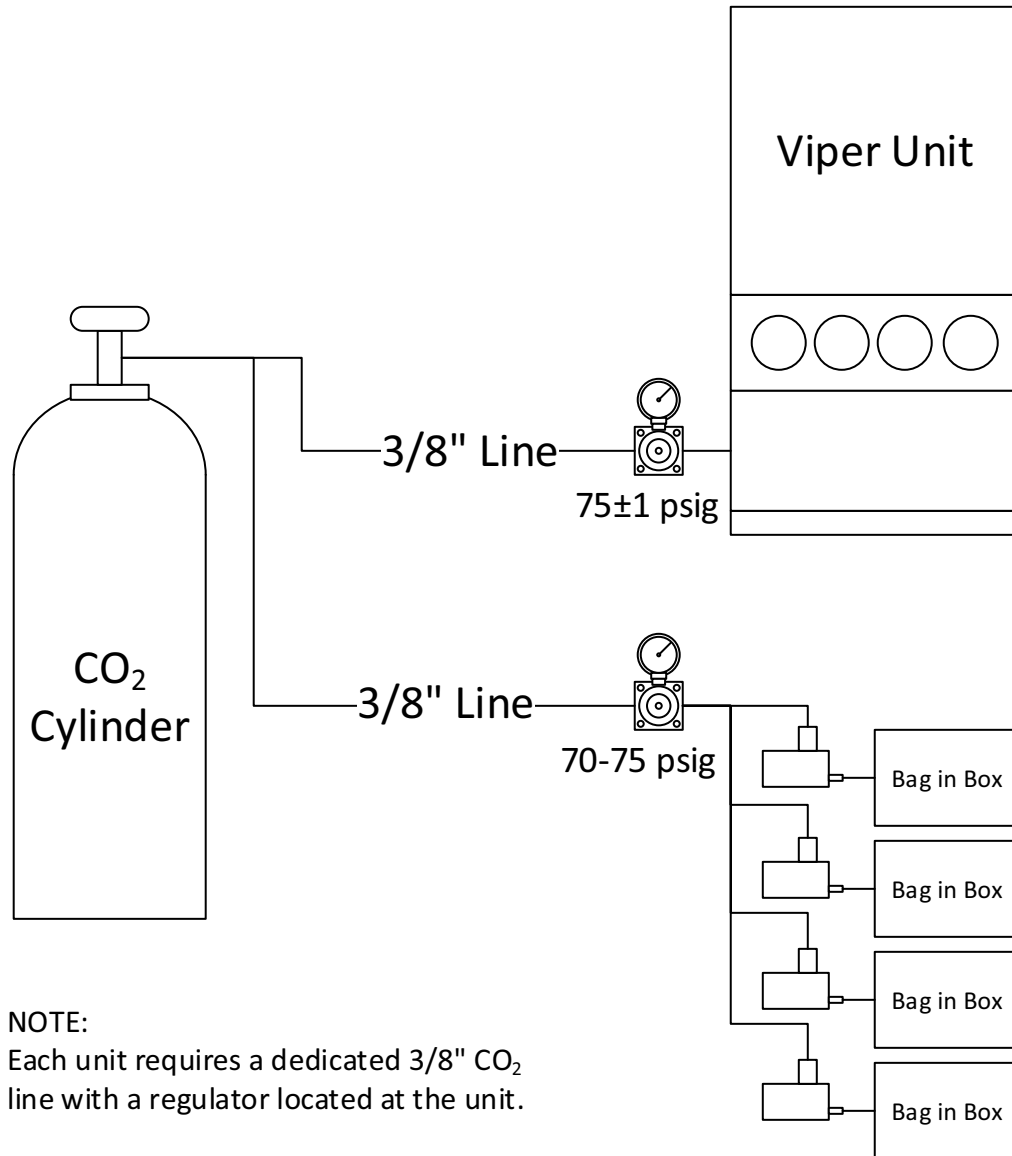
Secure the CO₂ cylinder in an upright position with a safety chain to prevent it from falling over and causing personal injury and property damage.

CO₂ (CARBON DIOXIDE) WARNING

DANGER:

CO₂ displaces oxygen. Strict attention **MUST** be observed in the prevention of CO₂ gas leaks in the entire CO₂ and soft drink system. If a CO₂ gas leak is suspected, particularly in a small area, **IMMEDIATELY** ventilate the contaminated area before attempting to repair the leak. Personnel exposed to high concentrations of CO₂ gas experience tremors which are followed rapidly by loss of consciousness and **DEATH**.

Viper CO₂ setup Single unit

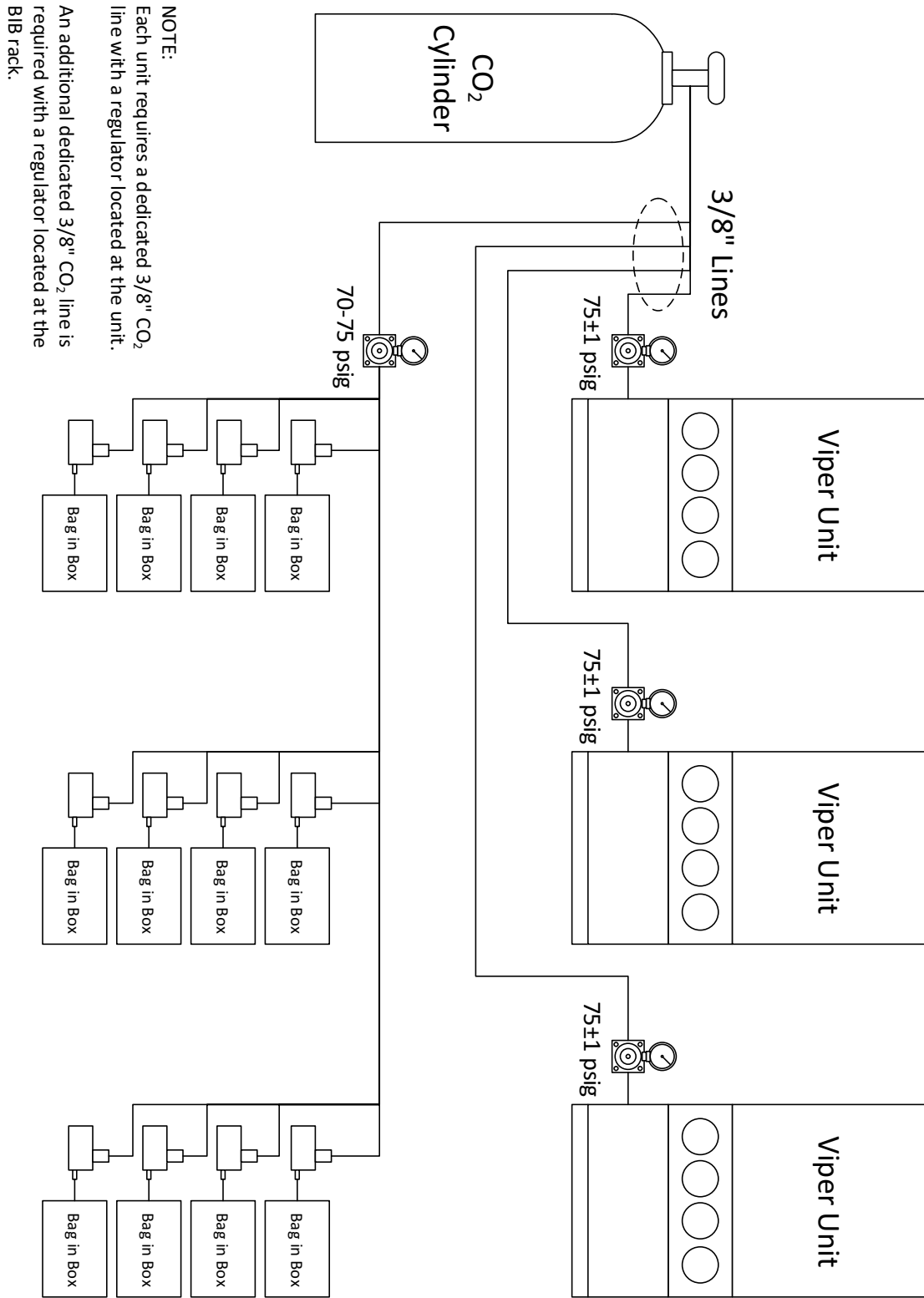


NOTE:
 Each unit requires a dedicated 3/8" CO₂ line with a regulator located at the unit.

An additional dedicated 3/8" CO₂ line is required with a regulator located at the BIB rack.

Figure 2. Viper CO₂ setup - single unit

Viper CO₂ setup Multiple unit



NOTE:
 Each unit requires a dedicated 3/8" CO₂ line with a regulator located at the unit.
 An additional dedicated 3/8" CO₂ line is required with a regulator located at the BIB rack.

Figure 3. Viper CO₂ setup - multiple unit