



## VIPER ELITE CARTS

FOR FROZEN CARBONATED BEVERAGE  
DISPENSERS

VIPER ELITE 2 FLAVOR CART



VIPER ELITE 3 FLAVOR CART



VIPER ELITE 4 FLAVOR CART

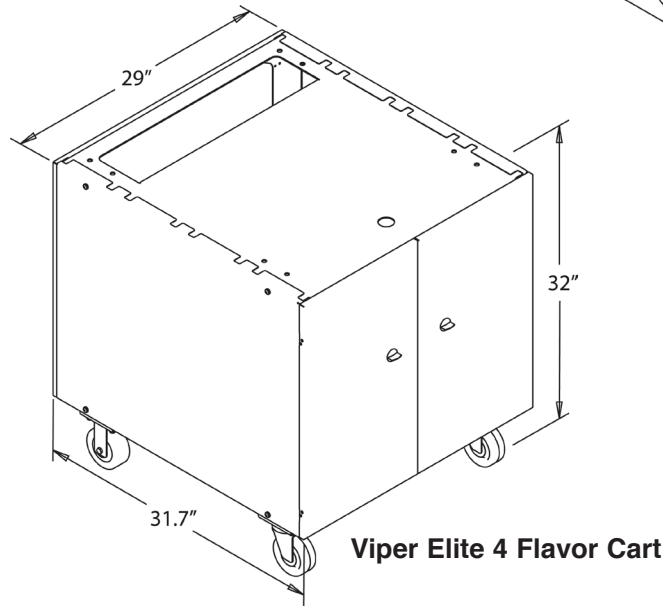
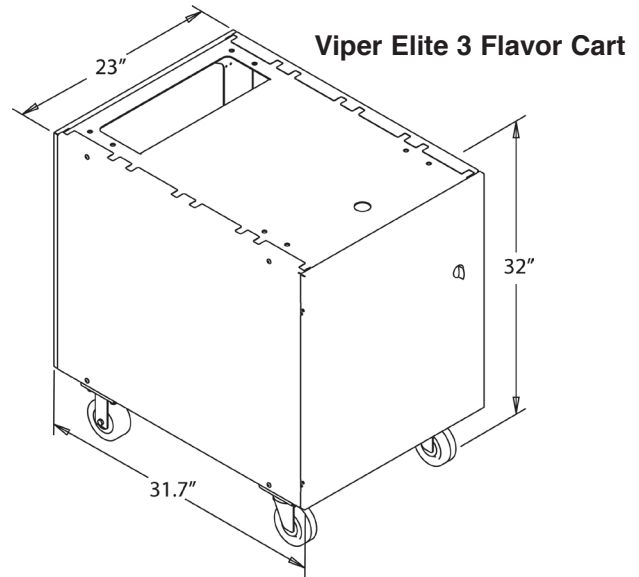
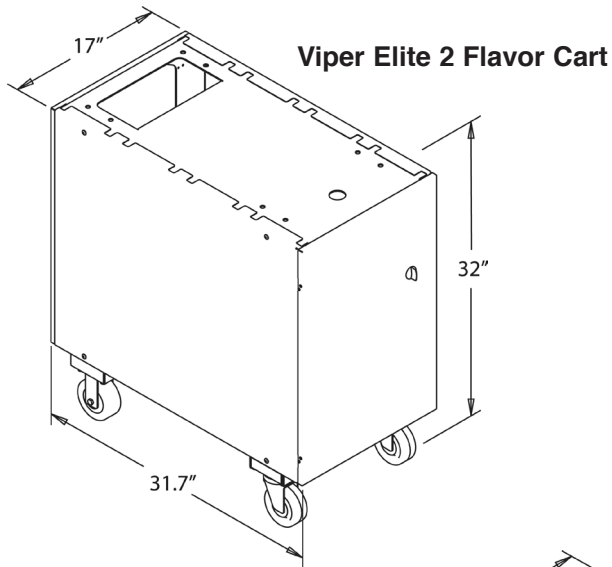


## FEATURES

**Durability** - Stainless steel side panels

**Storage** - Provides storage for syrup BIB and BIB pumps

**Mobility** - Includes casters



PART NUMBER	DESCRIPTION
620043075	Viper Elite 2 Flavor Cart, Stainless Steel Side Panels
620053990	Viper Elite 3 Flavor Cart, Stainless Steel Side Panels
620046556	Viper Elite 4 Flavor Cart, Stainless Steel Side Panels

## TECHNICAL SPECIFICATIONS

SHIPPING WEIGHT . . . . . 620043075: 175 lb (79.3 kg)  
 620053990: 175 lb (79.3 kg)  
 620046556: 200 lb (90.7 kg)

