



# Viper™ Elite Classic

## 2 Flavor Frozen Dispenser - Tall

Specification Guide

VIPER™ ELITE CLASSIC



## Features

### Enhanced Reliability

Increase uptime with the most reliable FCB dispenser on the market

### Syrup Flexibility

Pressure transducers ensure you'll be able to perform as syrups change in the future

### Expand Drink Portfolio

Individual barrel flexibility (FCB/FUB) and profile settings

### Intelligent Defrost™

Patented adaptive defrost keeps you up and running during peak demand so you never miss a sale

### Information At Your Fingertips

Quickly access manuals and easy-to-follow staff and service videos via QR code

### C3 Technology

Cooling, carbonation, and controls provide unmatched drink profile consistency, builds repeat sales and minimizes syrup usage

### Programmable Sleep Mode

Conserves energy in off hours

### Technician Designed

Reduced maintenance and service times

### ADA Compliant

Stainless push handle valve



**MARMON**  
Foodservice  
Technologies

A BERKSHIRE HATHAWAY COMPANY



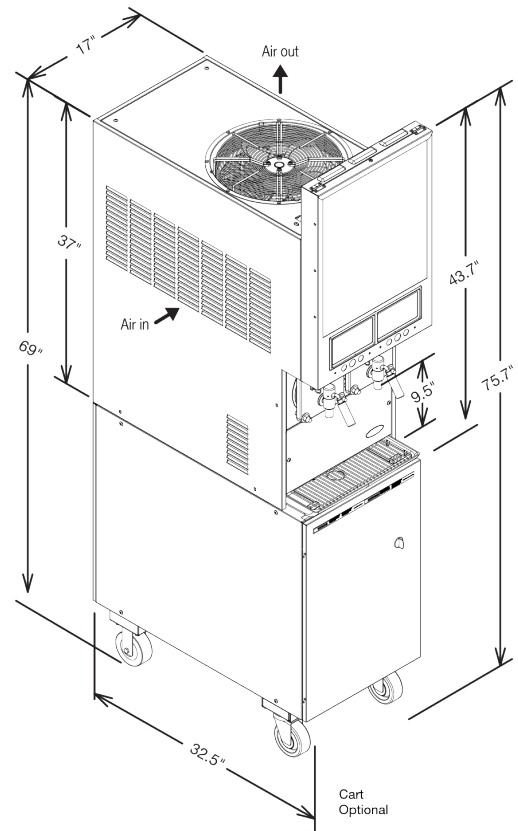
# Viper™ Elite Classic

## 2 Flavor Frozen Dispenser - Tall

Specification Guide

### Technical Specifications

<b>Electrical Requirements</b>	230V +/- 15V 60Hz, 30a, single phase 230V +/- 15V 50Hz, 30a, single phase <i>Includes 8ft. power NEMA L6-30P molded plug connection. Part Numbers ending in "EU" and 50HZ SKU's include 8ft. power cord IEC60309 32Amp molded plug connections</i>
<b>Pressure Requirements</b>	CO2 = 75 psig Water = 25 min psig dynamic
<b>Draw Capacity</b>	60-66 oz/min continuous, alternating barrels @ 75° F ambient
<b>Refrigeration</b>	15,000 BTU, R404A
<b>Agency Listing</b>	60Hz 50Hz
<b>Clearing Requirements</b>	Top: 12" Sides: 2" OR Back: 2" <i>The above dimensions are minimum unit clearance requirements</i>
<b>Dispenser Unit Dimensions</b>	17"W x 32.5"D x 43.7"H
<b>Unit Weight</b>	390lbs
<b>Graphic Card Dimensions</b>	16.75"W x 18.75"H
<b>Flavor Card Dimensions</b>	6.5"W x 4"H
<b>Shipping Weight</b>	Unit: 410lbs Cart: 175lbs



Model Number	Description
62160142	Viper Elite Classic 2 flavor, 230/60Hz, SPH Valve, Tall Merchandiser
62160042	Viper Elite Classic 2 flavor, 230/60Hz, Motorman Valve, Tall Merchandiser
621250142	Viper Elite Classic 2 flavor, 230/50Hz, SPH Valve, Tall Merchandiser
621250042	Viper Elite Classic 2 flavor, 230/50Hz, Motorman Valve, Tall Merchandiser
621260142EU	Viper Elite Classic 2 flavor, 230/60Hz, SPH Valve, Tall Merchandiser, IEC Power Cord
621260042EU	Viper Elite Classic 2 flavor, 230/60Hz, Motorman Valve, Tall Merchandiser, IEC Power Cord

SPH stands for Stainless Push Handle. For FUB applications, Motorman valves are recommended.

Accessories Number	Description
629087406	Leg kit, 4" legs adjustable to 5.25"
620043075	Viper 2 flavor cart, stainless steel
620042822	Viper 2 flavor generic graphic for tall merchandiser
620042868	Generic flavor card set (includes 18 flavors)
32467400	Buck and boost transformer
326002000	Drain kit for drip tray

Refer to Installation Manual for required installation materials

To learn more and see **Viper™ Elite Classic** in action, visit [cornelius.com](http://cornelius.com)  
To contact us directly, go to [cornelius.com/contact-us](http://cornelius.com/contact-us)