



Viper™ Low Overrun 3 Flavor Frozen Dispenser - Tall

Specification Guide

VIPER™ LOW OVERRUN



Features

Enhanced Reliability

Increase uptime with the most reliable FCB dispenser on the market

Syrup Flexibility

Pressure transducers ensure you'll be able to perform as syrups change in the future

Expand Drink Portfolios

Individual barrel flexibility (FCB/FUB) and profile settings. Champions low overrun, slush product consistency

Intelligent Defrost™

Patented adaptive defrost keeps you up and running during peak demand so you never miss a sale

Information At Your Fingertips

Quickly access manuals and easy-to-follow staff and service videos via QR code

C3 Technology

Cooling, carbonation, and controls provide unmatched drink profile consistency, builds repeat sales and minimizes syrup usage

Programmable Sleep Mode

Conserves energy in off hours

Technician Designed

Reduced maintenance and service times



MARMON
Foodservice
Technologies

A BERKSHIRE HATHAWAY COMPANY

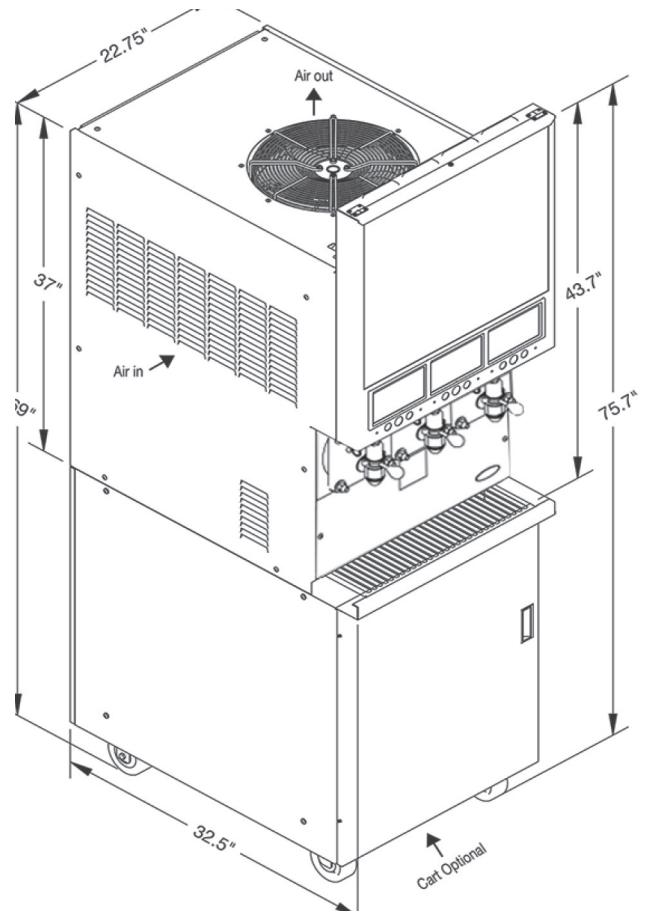


Viper™ Low Overrun 3 Flavor Frozen Dispenser - Tall

Specification Guide

Technical Specifications

Electrical Requirements	230V +/- 15V 60Hz, 30a, single phase <i>Includes 8ft. power NEMA L6-30P molded plug connection.</i>
Pressure Requirements	CO2 = 75 psig Water = 25 min psig dynamic
Draw Capacity	75-82 oz/min continuous, alternating barrels @ 75° F ambient
Refrigation	19,000 BTU, R448A
Agency Listing	 
Clearing Requirements	Top: 12" Sides: 2" Back: 2" <i>The above dimensions are minimum unit clearing requirements</i>
Unit Dimensions	22.75"W x 32.5"D x 43.7"H (including merchandiser)
Unit Weight	TBD lbs
Remote Condenser Unit Dimensions	38.25" W X 32.23" D X 27.60" H
Remote Condenser Weight	180 lbs
Remote Condenser Operating Temperature	-20°F to 120°F
Graphic Card Dimensions	22.5"W x 18.75"H
Flavor Card Dimensions	6.5"W x 4"H
Shipping Weight	Unit: 500 lbs Cart: 200 lbs Remote Condenser: 180 lbs



Model Number	Description
621360242LO	Viper Low Overrun Frozen 3 flavor, 230/60Hz, Air Cooled, Full-travel Motorman Valves, Stainless Steel Panels, Tall Merchandiser

Accessories Number	Description
629087406	Leg kit, 4" Height (order 4 per unit)
620053990	Viper 3 flavor cart, stainless steel

Refer to Installation Manual for required installation materials

To learn more and see **Viper™ Low Overrun** in action, visit cornelius.com
To contact us directly, go to cornelius.com/contact-us