



Viper™ Low Overrun 4 Flavor Frozen Dispenser - Tall

Specification Guide

VIPER™ LOW OVERRUN



Features

Enhanced Reliability

Increase uptime with the most reliable FCB dispenser on the market

Syrup Flexibility

Pressure transducers ensure you'll be able to perform as syrups change in the future

Expand Drink Portfolios

Individual barrel flexibility (FCB/FUB) and profile settings. Champions low overrun, slush product consistency

Intelligent Defrost™

Patented adaptive defrost keeps you up and running during peak demand so you never miss a sale

Information At Your Fingertips

Quickly access manuals and easy-to-follow staff and service videos via QR code

C3 Technology

Cooling, carbonation, and controls provide unmatched drink profile consistency, builds repeat sales and minimizes syrup usage

Programmable Sleep Mode

Conserves energy in off hours

Technician Designed

Reduced maintenance and service times



MARMON
Foodservice
Technologies

A BERKSHIRE HATHAWAY COMPANY

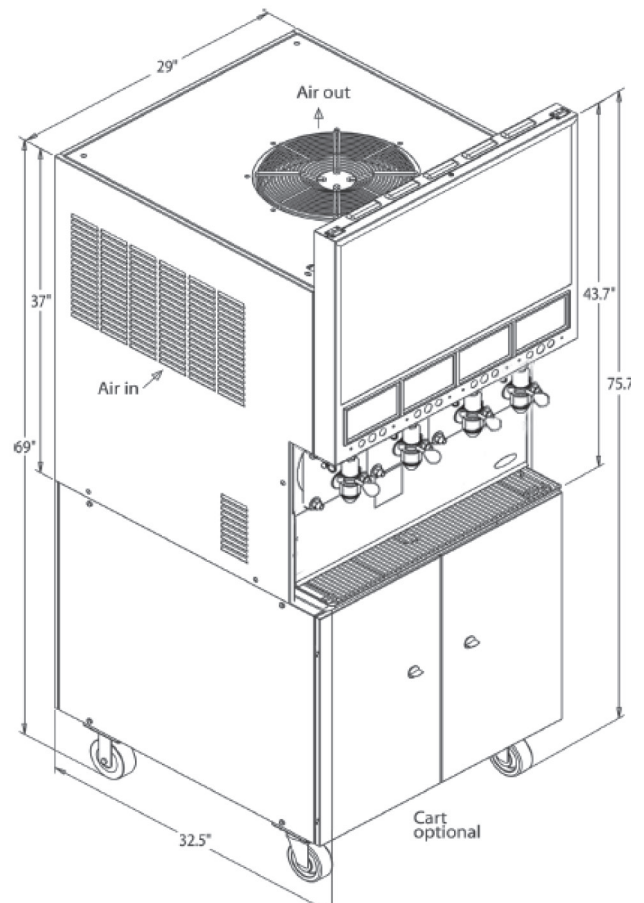


Viper™ Low Overrun 4 Flavor Frozen Dispenser - Tall

Specification Guide

Technical Specifications

Electrical Requirements	230V +/- 15V 60Hz, 30A, single phase <i>Includes 8ft. power cord NEMA L6-30P molded plug connection.</i>
Pressure Requirements	CO2 = 75 psig Water = 25 min psig dynamic
Draw Capacity	75-82 oz/min continuous, alternating barrels @ 75° F ambient
Refrigeration	19,000 BTU, R448A
Agency Listing	 
Clearing Requirements	Top: 12" Sides: 2" OR Back: 2" <i>The above dimensions are minimum unit clearance requirements</i>
Dispenser Unit Dimensions	29"W x 32.5"D x 43.7"H (including merchandiser)
Unit Weight	475lbs
Graphic Card Dimensions	28.75"W x 18.75"H
Flavor Card Dimensions	6.5"W x 4"H
Shipping Weight	Unit: 500lbs Cart: 200lbs



Model Number	Description
621460242LO	Viper Low Overrun Frozen 4 flavor, 230/60Hz, Air Cooled, Full-travel Motorman Valves, Stainless Steel Panels, Tall Merchandiser

Accessories Number	Description
629087406	Leg kit, 4" Height (order 4 per unit)
620046556	Viper Elite 4 Flavor Cart, Stainless Steel Side Panels
326002000	Drain kit for drip tray

Refer to Installation Manual for required installation materials

To learn more and see **Viper™ Low Overrun** in action, visit [cornelius.com](https://www.cornelius.com)
To contact us directly, go to [cornelius.com/contact-us](https://www.cornelius.com/contact-us)