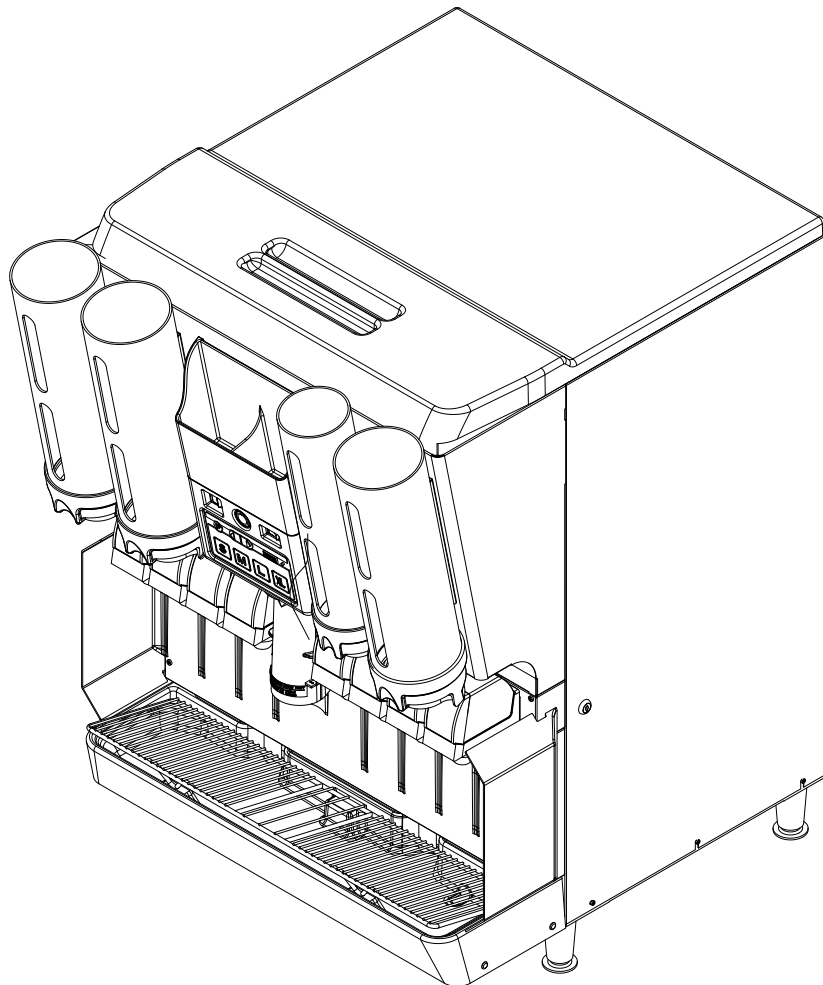




---

**IDC 255 PROGATE DRIVE THRU  
ILLUSTRATED PARTS LIST  
IDC/NGF 255BCHP**



**Release Date: June 27, 2006**

**Publication Number: 621057419IPL**

**Revision Date: October 10, 2018**

**Revision: G**

**Visit the Cornelius web site at [www.cornelius.com](http://www.cornelius.com) for all your Literature needs.**

---

The products, technical information, and instructions contained in this manual are subject to change without notice. These instructions are not intended to cover all details or variations of the equipment, nor to provide for every possible contingency in the installation, operation or maintenance of this equipment. This manual assumes that the person(s) working on the equipment have been trained and are skilled in working with electrical, plumbing, pneumatic, and mechanical equipment. It is assumed that appropriate safety precautions are taken and that all local safety and construction requirements are being met, in addition to the information contained in this manual.

This Product is warranted only as provided in Cornelius' Commercial Warranty applicable to this Product and is subject to all of the restrictions and limitations contained in the Commercial Warranty.

Cornelius will not be responsible for any repair, replacement or other service required by or loss or damage resulting from any of the following occurrences, including but not limited to, (1) other than normal and proper use and normal service conditions with respect to the Product, (2) improper voltage, (3) inadequate wiring, (4) abuse, (5) accident, (6) alteration, (7) misuse, (8) neglect, (9) unauthorized repair or the failure to utilize suitably qualified and trained persons to perform service and/or repair of the Product, (10) improper cleaning, (11) failure to follow installation, operating, cleaning or maintenance instructions, (12) use of "non-authorized" parts (i.e., parts that are not 100% compatible with the Product) which use voids the entire warranty, (13) Product parts in contact with water or the product dispensed which are adversely impacted by changes in liquid scale or chemical composition.

### **Contact Information:**

To inquire about current revisions of this and other documentation or for assistance with any Cornelius product contact:

**[www.cornelius.com](http://www.cornelius.com)**

**800-238-3600**

### **Trademarks and Copyrights:**

This document contains proprietary information and it may not be reproduced in any way without permission from Cornelius.

This document contains the original instructions for the unit described.

CORNELIUS INC  
101 Regency Drive  
Glendale Heights, IL  
Tel: + 1 800-238-3600

Printed in U.S.A.

## CLADDING COMPONENTS AND OVERALL ASSEMBLY DETAIL

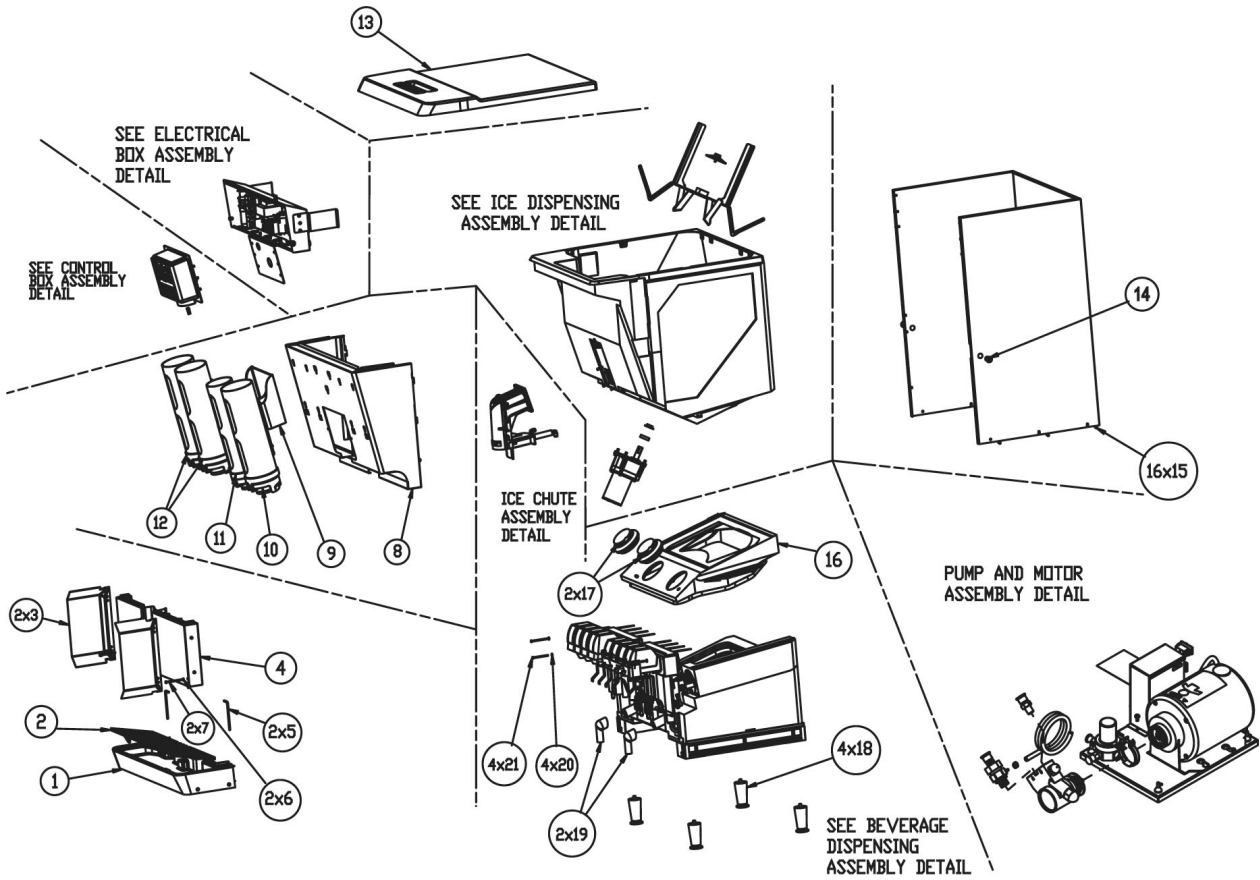


Figure 1.

Item No.	Part No.	Name
1	620521113	Drip Tray..
2	620708537	Cup Rest
3	52084	Guard Splash R/L
4	620052335	Panel Assembly
	620052923	Panel Assembly (Non-Progate)
5	10145	Drip Tray Mounting Pin
6	71010	Captivating Washer
7	70555	Screw Stainless
8	620053003	Cover Weldment
	620520578	Cover, Weldment (NGF 255)
9	620046723	Holder Straw IDC/Yum Crew Serve
10	620517069	Lid Holder Asy Xlrg
11	620517068	Lid Holder Asy Sml & Med
*	629095366	Splash Guard Kit
<b>NOTE: * Not Shown</b>		

Item No.	Part No.	Name
12	620517067	Lid Holder Asy Large
13	620517034	Lid IDC255 Black
14	32977	Keypress Ass. (Keys Included) Replacement Keys Only (70739)
15	620705801	Phillips Truss Head Screw, #8-18 X 1/2" Long, Stainless Steel
16	620050537	Foamed Cold Plate Cover
17	620516645	Cover Cold Plate Access
18	70970	4" Adjustable Leg, 3/8" - 16, Black Plastic with Nickel Plated Foot
19	53011	Elbow cold Plate Drain
20	71010	#8 Retaining Washer
21	70555	Machine screw #8-32X2-5/8 Long, Stainless steel

# ELECTRICAL BOX ASSEMBLY DETAIL

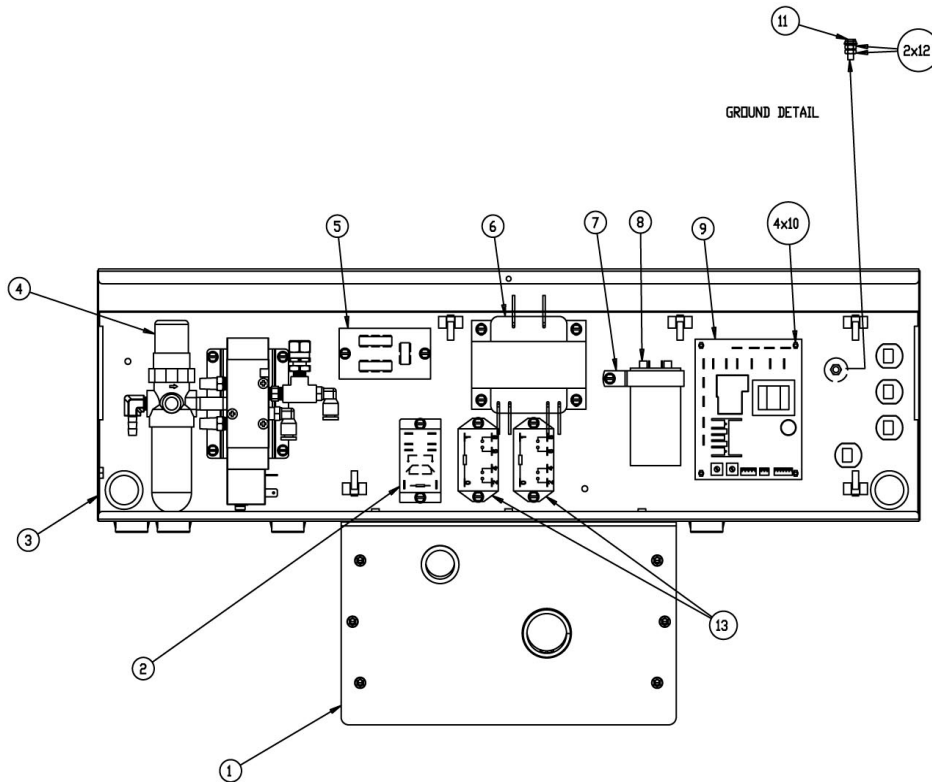


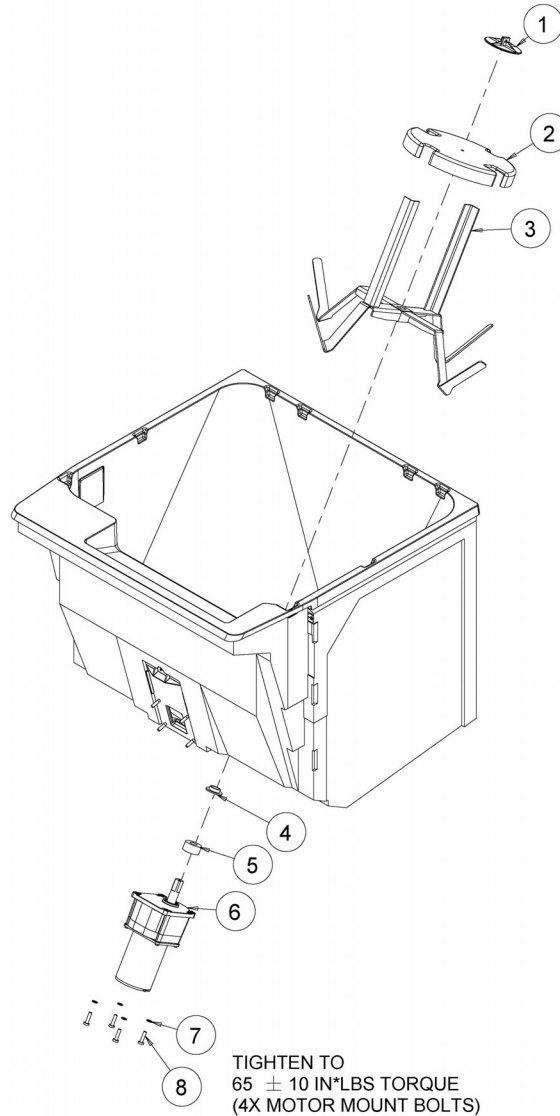
Figure 2.

Item No.	Part No.	Name
1	620052685	Control Box Mounting Brkt
2	620314025	NO/NC 25 Vac Relay
3	620314152	Electric Box
4	620313711	Solenoid Asy IDC/Progate Air
5	31107	Terminal Board
6	720500795	Transformer 120 V 60 Hz.
7	620717212	Capacitor Mount

Item No.	Part No.	Name
8	560002379	Capacitor, 20 Mfd, 230 V, 50 Hz.
9	620314825	Main Electrical Board
10	325925000	Electrical Board Support
11	70120	Machine Screw, #10-32, Gnd
12	70015	Hex Nut, #10-32, KEPS
13	60569001	Relay
14	30794	Agitator Motor Heater

**NOTE:Item 14 not shown in Figure 2.**

## ICE DISPENSING ASSEMBLY DETAIL



**Figure 3.**

Item No.	Part No.	Name
1	15087	Agitator Retainer
2	620042770	Agitator Disk
3	620042766	Agitator
4	620711105	Gear Box Shaft Seal
5	52876	Gear Box Shaft Gasket

Item No.	Part No.	Name
6	620314923	Service Motor (Without Gear Box)
	620314913	Motor and Gear Box Assembly
7	168833000	Lock Washer .262" ID X .489" OD X .062" Thick, SS
8	70260	Self-Locking Socket Head Cap Screw, 1/4-20, 1" Long, SS

# BEVERAGE DISPENSING ASSEMBLY DETAIL

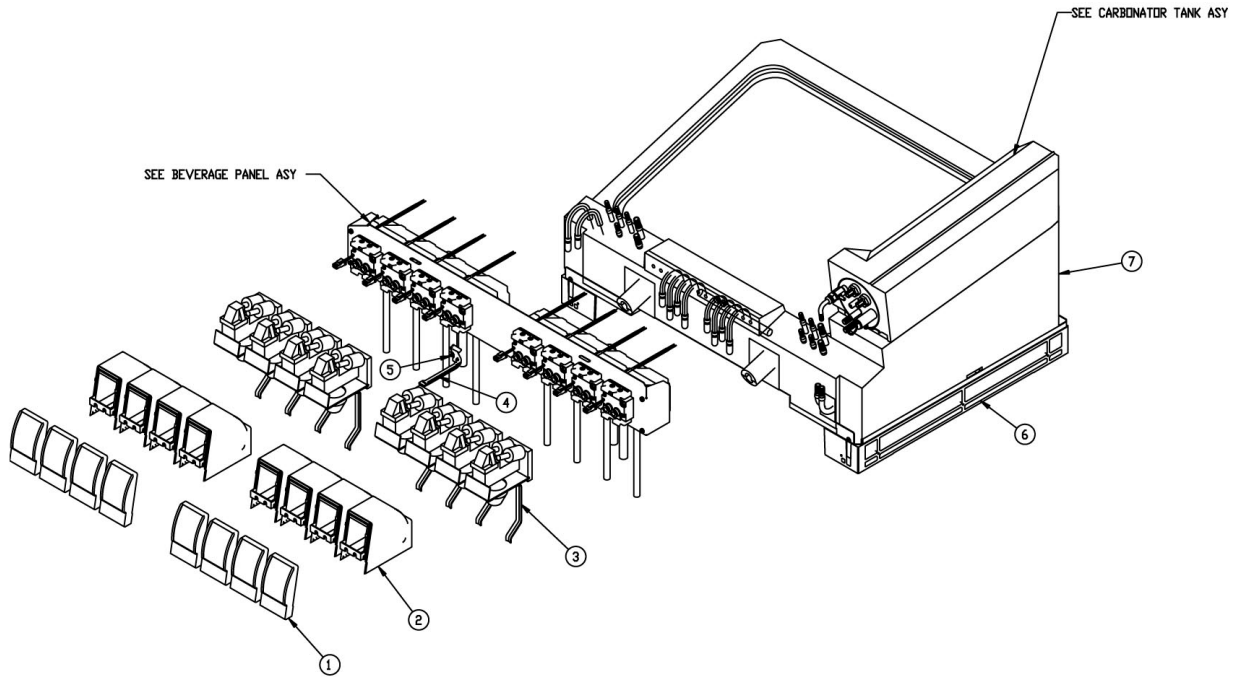


Figure 4.

Item No.	Part No.	Name
1	1956	Front Valve Cover (For lever valves only)
2	620520596	Back Valve Cover
3	561000155	UFB Lever Valve Assembly
	620055292	UFB-1 OptiFill, High Ratio Diet Valve without Back Block and Covers
4	1935	Water Only Lever Bar

Item No.	Part No.	Name
5	560001788	Sheetmetal Screw, #6-32 X 3/16" Long Pan Head Slotted, Stainless
6	620045786	Base Assy Ed 2XX Jordan
7	620407060	FDAMED 19 X 28 8FL C-Plt Assy.

## BEVERAGE PANEL ASSEMBLY DETAIL

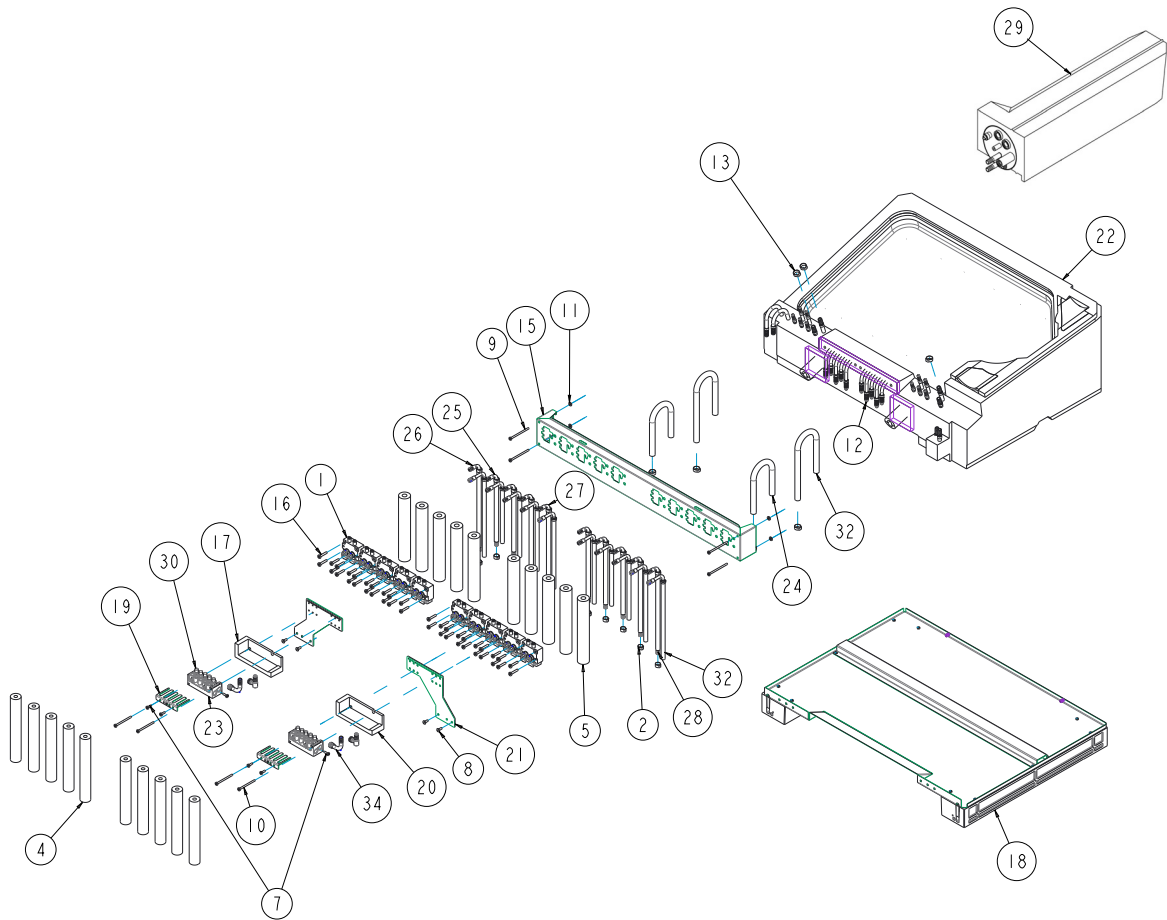


Figure 5.

Item No.	Part No.	Name
1	1919	Mounting Block Assembly
2	40502	Clamp Oetiker 13.3 STPLS #13
3*	50126	Insulation Prestite 1/8X2-1/2
4	50163	Armaflex 3/8 ID X 3/8 Wall
5	50249	Tubing Insul. 1/2 ID X 3/8 Wall
6*	50326	Insulation Tape 1/8" X 2" X 30'
7	70204	Screw Sm 08 TA TRPH 16 SS
8	70307	Rivet Pop 187D 188-250
9	70555	Screw MA 08-32 TRPH 84 SS
10	71006	Screw MA 08-32 TRPH 72 SS
11	71010	Washer - Captivating #8
12	99250	Cap
13	309853000	Clamp Oetiker 618 open STPLS #15.7
14*	321471000	Lube Dow 111 5.3 Os. tube
15	620042856	Panel Bev.8 valve IDC 2XX
16	620700602	Screw TF SM 10-16 RDPH 32 SS

Item No.	Part No.	Name
17	620711962	Insulation TFI Manifold
18	620045786	Base Assy ED2XX Jordan
19	620046382	Retainer TFI FITGS
20	620046798	Bushing Hinge Nylon
21	620053839	Bracket Manifold Mtg
22	620407060	Foamed 19 X 28 8FL C-PLT Assy
23	620407728	Manifold total flex, 5 Position
24	620407917	Water Line Assy, U-Shape 3/8 I.D.
25	620407919	Water Line Assy, 1/4 I.D.
26	620407920	Water Line Assy, 1/4 I.D.
27	620407921	Water Line Assy, 1/4 I.D.
28	620407923	Water Line Assy, 1/4 I.D.
29	620518322	Tank Carb Assy Jordan
30	620519005	Plug Manifold
31	620607436	Tubing Polyethylene 0.38 X 0.593
32	620611961	Line Assembly Water
33	620719370	Tube Prod. Syrup JRD
34	620709065	Elbow fitting

\* Indicates not shown

## CARBONATOR TANK ASSEMBLY DETAIL

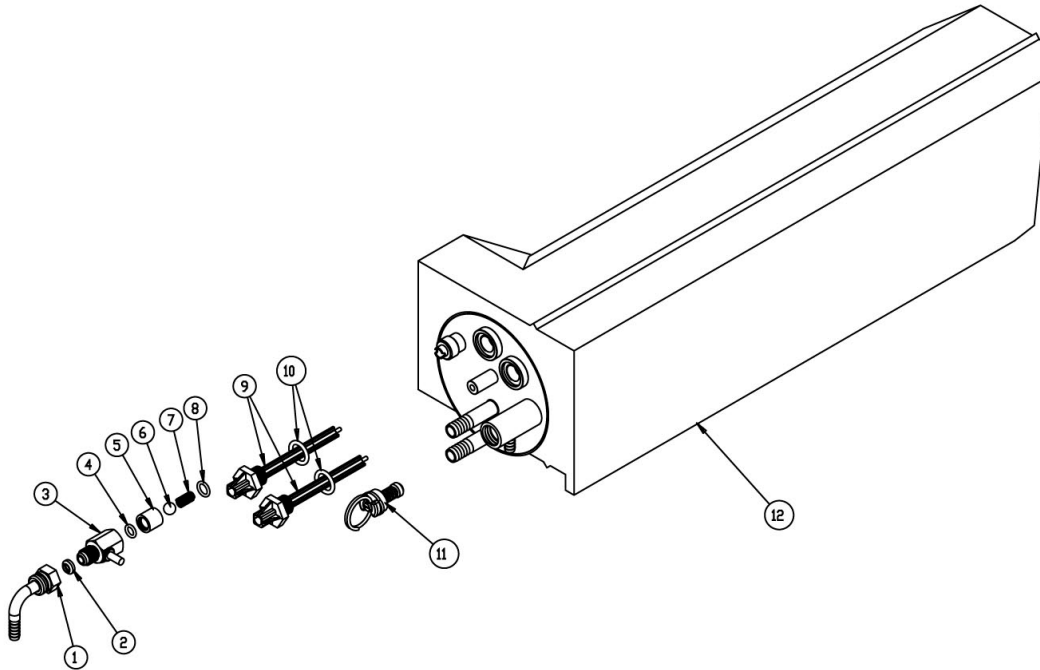


Figure 6.

Item No.	Part No.	Name
1	77040100	L-Swivel Fitting 7/16"-20 (1/4" FFL) FL X 1/4" Barb, SS
2	178025100	Male Gasket Flare Fitting
3	64677001	Check Valve Fitting
4	398033002	O-Ring .239" ID .070" CS 70 DU BU-N
5	64686	Check Valve Sleeve SS
6	64560	Check Valve Ball, .3125" SS
7	64678	Spring

Item No.	Part No.	Name
8	31525012	O-Ring .301" ID .070" CS 60 DU BU-N
9	620607108	Liquid Level Control Probe: Must be purchased together with item 10 (O-ring).
10	31525007	O-Ring .488" ID 103 CS 60 DU BU-N
11	630001122	Relief Valve
12	620518322	Carb Tank Complete Assembly

**NOTE:**Part number 65259 (Check valve assembly) includes item 3 to 8.



## PUMP AND MOTOR ASSEMBLY DETAIL

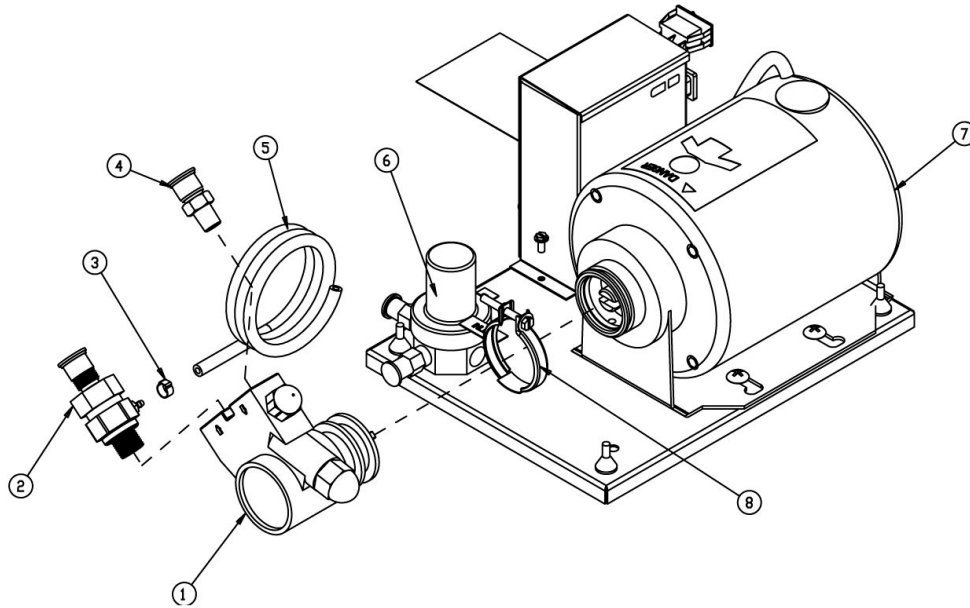


Figure 7.

Item No.	Part No.	Name
1	60170	Pump, 125GPH
2	620608773	Check Valve 3/8MPT 5/8-18
3	311527000	Oetiker Clamp #8.7
4	111337000	Straight Fitting 3/8 MPT X 3/8 MF, Brass

Item No.	Part No.	Name
5	174004000	Polyethylene Tubing .156" ID X .312" OD
6	620709802	Pressure Regulator, 75 PSIG
7	60030058	Motor Pump
8	187483000	Clamp
9	620408124	Complete assembly pump deck

**NOTE:Item 9 includes complete assembly.**

## ICE CHUTE ASSEMBLY DETAIL

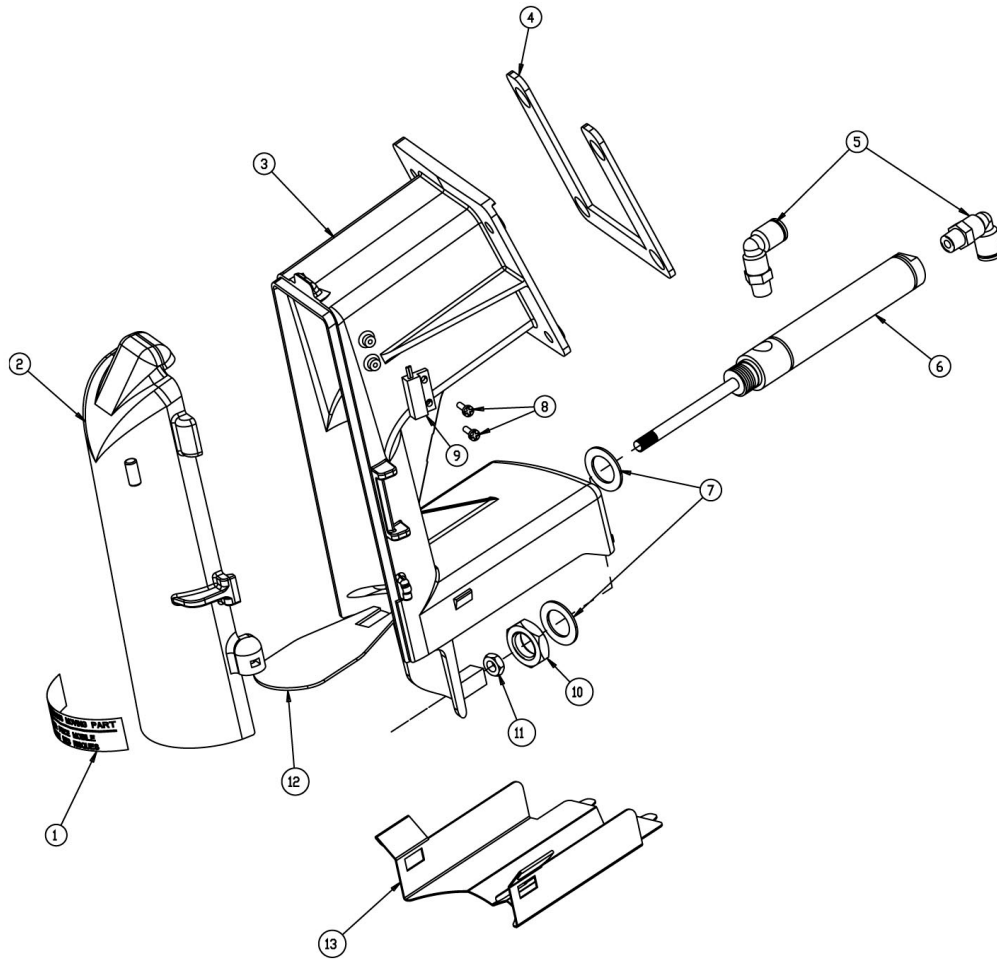


Figure 8.

Item No.	Part No.	Name
1	91776	Label, Warning Hazardous Moving
2	620518520	Ice Chute Cover
3	620518521	Ice Chute Jordan Progate
4	620710113	Gasket Ice Chute IDC Low Duro
5	620720630	Fitg, 1/4 Tube X 1/8 MPT
6	620200411	Cylinder, Air Double Acting 2-1/2
7	620702505	Bushing, Mach 5/8 X 1 X .048 SS
8	620705901	Screw Sm #04 PAPH 12 SS

Item No.	Part No.	Name
9	620314527	Sensor, Position Ice Chute Jordan
10	620701208	Nut, Hex, 5/8-18 SS Jam-SPC
11	620701202	Nut, Hex Jam 1/4-28 SS 400 SER
12	620048712	Gate Slide Assy Jordan Progate
13	620200418	Cylinder Enclosure Progate
14	620518519	Complete ice chute assembly

**NOTE: Item 15 is complete assembly.**

## CONTROL BOX ASSEMBLY DETAIL

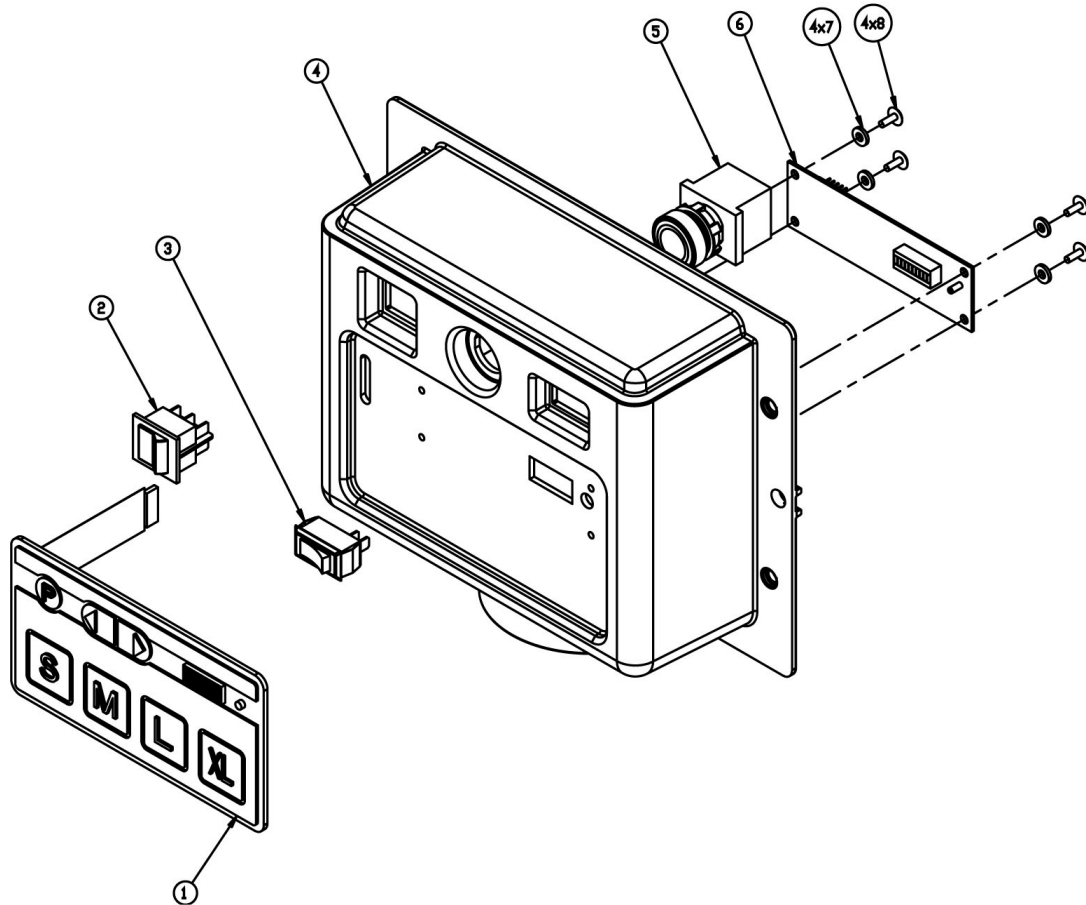


Figure 9.

Item No.	Part No.	Name
1	620045207	Pad, Key IDC/Progate2
2	31934	Power Switch
3	A5810	Switch, Manual/Auto
4	620043256	Keypad Control Box

Item No.	Part No.	Name
5	620313267	Switch, PB Lighted
6	620314840	Control Board, Ice portion
7	V25237	Nylon Washer, Flat, #8
8	188117000	Screw, SM 08 TA TRPH 12 S TZI

## SPLASH PANEL ASSEMBLY DETAIL

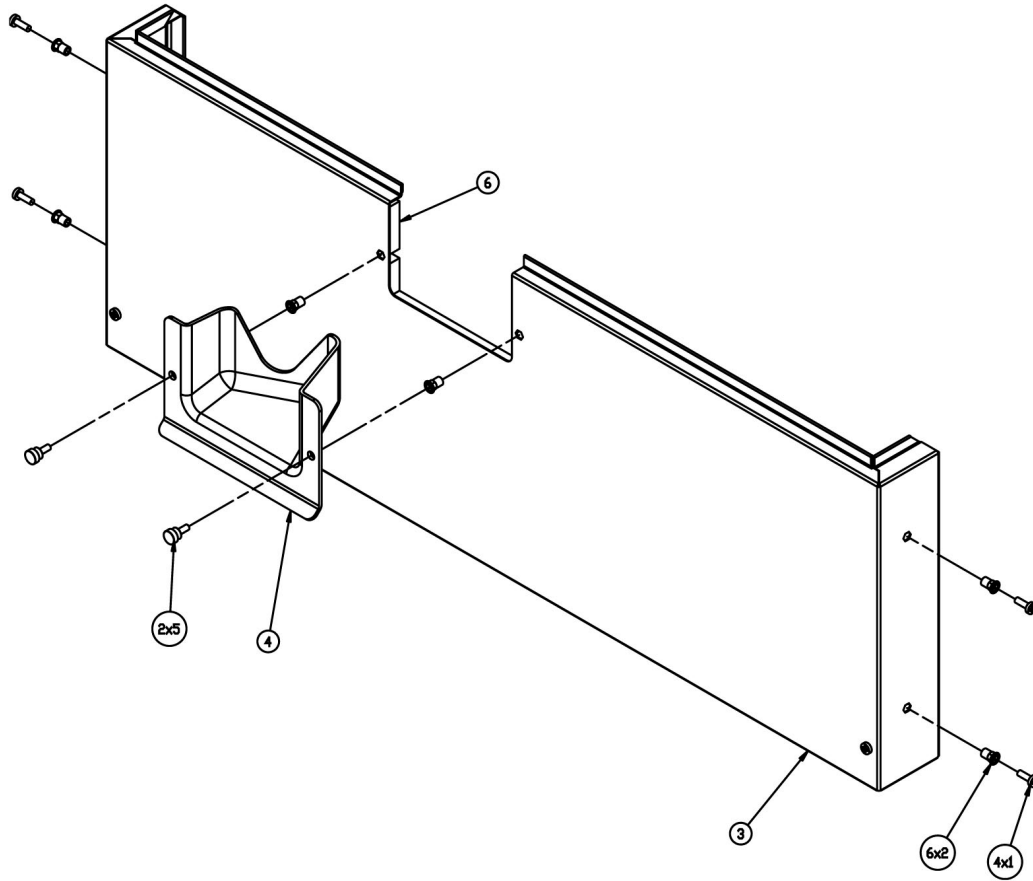


Figure 10.

Item No.	Part No.	Name
1	70178	Screw, MA 08-32 TRPH 16 SS
2	70959	8-32 Hex Nutsert
3	620052336	Stainless Steel Panel

Item No.	Part No.	Name
4	620710809	Shroud Cylinder
5	70188	Screw, WG 08-32 KN 16
6	620711948	Splash Panel Insulation



**Cornelius Inc.**  
**[www.cornelius.com](http://www.cornelius.com)**