

INSTALLATION INSTRUCTIONS

DF/EDXXX Lid Kits for Ice Makers

Release Date: July 22, 2011

Publication Number: 620919549

Revision Date: February, 2014

Revision: H

Visit the Cornelius web site at www.cornelius.com for all your Literature needs.

The products, technical information, and instructions contained in this manual are subject to change without notice. These instructions are not intended to cover all details or variations of the equipment, nor to provide for every possible contingency in the installation, operation or maintenance of this equipment. This manual assumes that the person(s) working on the equipment have been trained and are skilled in working with electrical, plumbing, pneumatic, and mechanical equipment. It is assumed that appropriate safety precautions are taken and that all local safety and construction requirements are being met, in addition to the information contained in this manual.

This Product is warranted only as provided in Cornelius' Commercial Warranty applicable to this Product and is subject to all of the restrictions and limitations contained in the Commercial Warranty.

Cornelius will not be responsible for any repair, replacement or other service required by or loss or damage resulting from any of the following occurrences, including but not limited to, (1) other than normal and proper use and normal service conditions with respect to the Product, (2) improper voltage, (3) inadequate wiring, (4) abuse, (5) accident, (6) alteration, (7) misuse, (8) neglect, (9) unauthorized repair or the failure to utilize suitably qualified and trained persons to perform service and/or repair of the Product, (10) improper cleaning, (11) failure to follow installation, operating, cleaning or maintenance instructions, (12) use of "non-authorized" parts (i.e., parts that are not 100% compatible with the Product) which use voids the entire warranty, (13) Product parts in contact with water or the product dispensed which are adversely impacted by changes in liquid scale or chemical composition.

Contact Information:

To inquire about current revisions of this and other documentation or for assistance with any Cornelius product contact:

www.cornelius-usa.com

800-238-3600

Trademarks and Copyrights:

This document contains proprietary information and it may not be reproduced in any way without permission from Cornelius.

This document contains the original instructions for the unit described.

CORNELIUS INC
101 Regency Drive
Glendale Heights, IL
Tel: + 1 800-238-3600

Printed in U.S.A.

SAFETY INSTRUCTIONS

SAFETY

WARNING:

Before starting installation, read and understand all safety label and warnings on the machine. Also review and understand all safety instructions in the owners, installation and service manuals.

Failure to comply could result in serious injury, death or damage to the equipment.

QUALIFIED SERVICE PERSONNEL

WARNING:

Only trained and certified electrical, plumbing and refrigeration technicians should service this unit.

All wiring and plumbing must conform to national and local codes. Failure to comply could result in serious injury, death or equipment damage.

SAFETY PRECAUTIONS

This unit has been specifically designed to provide protection against personal injury. To ensure continued protection observe the following:

WARNING:

Disconnect power to the unit before servicing. Follow all lock out/tag out procedures established by the user. Verify all power is off to the unit before performing any work.

Failure to comply could result in serious injury, death or damage to the equipment.

CAUTION:

Always be sure to keep area around the unit clean and free of clutter.

Failure to keep this area clean may result in injury or equipment damage.



INSTALLATION INSTRUCTIONS

This kit applies to the Cornelius Xtreme Series 322/522/330/530/630/830/1030/1230 Ice Makers

Table 1. Kits for use with Cornelius Xtreme 322/522 22" single curtain ice makers							
Item No.	Dispenser	ED 100/150 (Black)	ED150 (Black)	ED175 (Black)	ED 2XX (Black)	ED 300 (Black)	Qty.
	Kit Number	629087940	629087939	629087938	629087937	629087936	
Components							
1	Lid Assembly	620027505	620046012	620046011	15276	15210	1
2	Cover	52934	620043512	620043512	52969	52946	1
3	Baffle Ice ED150 Adapter Lid	620042928	620042928	620042928	620042948	20042919	1
4	Bin-Stat Kit	631500109	631500109	631500109	631500109	631500116	1
5	Bracket	620027306	22127	22127	22127	22127	2
6	Screw, Mounting	70217	70217	70217	70217	70217	6-8
7	Gasket	620050102	620050102	620050102	620050102	620050102	87"
8	Label	90221	90221	90221	90221	90221	1
9	Acorn Nut, Nylon	620701902	620701902	620701902	620701902	620701902	2-4
10	Sealing Washer	620701901	620701901	620701901	620701901	620701901	2-4
11	Nylon Washer	621701903	621701903	621701903	621701903	621701903	2-4

Table 2.							
Item No.	Dispenser	DF 100/150 (Gray)	DF/ED 150 (Gray)	DF/ED 175 (Gray)	DF/ED 2XX (Gray)	DF/ED 300 (Gray)	Qty.
	Kit Number	629087935	629087931	629087934	629087933	629087928	
Components							
1	Lid Assembly	620027505	620046012	620046011	15276	15276	1
2	Cover	52933	620043511	620043511	52970	52964	1
3	Baffle Ice ED150 Adapter Lid	620042928	620042928	620042928	620037003	20042919	1
4	Bin-Stat Kit	631500109	631500109	631500109	631500109	631500116	1
5	Bracket	620027306	620027306	620027306	22127	22127	2
6	Screw, Mounting	70217	70217	70217	70217	70217	6-8
7	Gasket	620050102	620050102	620050102	620050102	620050102	103"
8	Label	90221	90221	90221	90221	90221	1
9	Acorn Nut, Nylon	620701902	620701902	620701902	620701902	620701902	2-4
10	Sealing Washer	620701901	620701901	620701901	620701901	620701901	2-4
11	Nylon Washer	621701903	621701903	621701903	621701903	621701903	2-4



Table 3. Kits for use with Cornelius Xtreme 322/522 22” Single Curtain Ice Maker							
Item No.	Dispenser	ED 100/150 (Gray)	ED 150 (Gray)	ED 175 (Gray)	ED 2XX (Gray)	ED 300 (Gray)	Qty.
	Kit Number	629087932	X29087931	629087930	629087929	629087928	
Components							
1	Lid Assembly	620027505	620046012	620046011	15276	15210	1
2	Cover	52994	620043511	620043511	53003	52964	1
3	Baffle Ice ED150 Adapter Lid	620042928	620042928	620042928	620037003	20042919	1
4	Bin-Stat Kit	631500109	631500109	631500109	631500109	631500116	1
5	Bracket	620027306	22127	22127	22127	22127	2
6	Screw, Mounting	70217	70217	70217	70217	70217	6-8
7	Gasket	620050102	620050102	620050102	620050102	620050102	87”
8	Label	90221	90221	90221	90221	90221	1
9	Acorn Nut, Nylon	620701902	620701902	620701902	620701902	620701902	2-4
10	Sealing Washer	620701901	620701901	620701901	620701901	620701901	2-4
11	Nylon Washer	621701903	621701903	621701903	621701903	621701903	2-4

Table 4. Kits for use with Cornelius Xtreme 330/530/630/830 30” Single Curtain Ice Makers							
Item No.	Dispenser	ED 2XX (Black)	DF 2XX (Gray)	ED 2XX (Gray)	ED 300 (Black)	DF/ED 300 (Gray)	Qty.
	Kit Number	629087927	629087925	629087922	629087926	629087924	
Components							
1	Lid Assembly	620027305	620027305	620027305	29505	29505	1
2	Cover	52969	52970	53003	52946	52964	1
3	Baffle Ice ED150 Adapter Lid	620042928	620042928	620042928	620042919	620042919	1
4	Bin-Stat Kit	631500109	631500109	631500109	631500116	631500116	1
5	Bracket	620027306	620027306	620027306	22127	22127	2
6	Screw, Mounting	70217	70217	70217	70217	70217	6-8
7	Gasket	620050102	620050102	620050102	620050102	620050102	103”
8	Label	90221	90221	90221	90221	90221	1
9	Acorn Nut, Nylon	620701902	620701902	620701902	620701902	620701902	2-4
10	Sealing Washer	620701901	620701901	620701901	620701901	620701901	2-4
11	Nylon Washer	621701903	621701903	621701903	621701903	621701903	2-4

Table 5. Kits for use with Cornelius Xtreme 10301230 30" Dual Curtain Ice Makers

Item No.	Dispenser	ED 2XX (Black)	DF 2XX (Gray)	ED 2XX (Gray)	ED 300 (Black)	DF/ED 300 (Gray)	Qty.
	Kit Number	629087942	629087945	629087946	629087943	629087944	
Components							
1	Lid Assembly	620027305	620027305	620027305	29505	29505	1
2	Cover	52969	52970	53003	52946	52964	1
3	Baffle Ice ED150 Adapter Lid	620042928	620042928	620042928	620042919	620042919	1
4	Bin-Stat Kit	631500074	631500074	631500074	631500108	631500108	1
5	Bracket	620027306	620027306	620027306	2212722127	22127	2
6	Screw, Mounting	70217	70217	70217	70217	70217	6-8
7	Gasket	620050102	620050102	620050102	620050102	620050102	103"
8	Label	90221	90221	90221	90221	90221	1
9	Acorn Nut, Nylon	620701902	620701902	620701902	620701902	620701902	2-4
10	Sealing Washer	620701901	620701901	620701901	620701901	620701901	2-4
11	Nylon Washer	621701903	621701903	621701903	621701903	621701903	2-4

⚠ WARNING:

All ice baffle plates and bin stats, if included or recommended in this kit, must be installed as directed in this manual or the equipment manufacturer's instructions.

Failure to comply could result in serious injury, death or damage to the equipment.

⚠ WARNING:

All of the attachment screws and plates must be installed as directed in this manual.

Failure to comply could result in serious injury, death or damage to the equipment.

IMPORTANT: For DF/ED300 models, adjust the automatic agitation timer located in the dispenser's electrical control box to 5 seconds on, 20 minutes off. Access to the timer is provided by removing the merchandiser/upper front panel.

1. Unpack and inspect the kit. Refer to Figure 1. and Figure 2. for component details.
2. Insert the ice baffle (item 3) into the lid assembly (item 1, Figure 1.)

IMPORTANT: The baffle prevents ice from overflowing the manual fill area during agitation/ dispensing with a full storage bin and forcing the manual fill cover off.

3. Place the sealing washers (item 10) over the studs and flat washers (item 11) then fasten in place with the nylon acorn nuts (item 9).
4. Set the lid assembly onto the dispenser. Using the slotted holes on the side of the lid as a template, drill four (4) 9/ 64" diameter holes at the bottom of the slots (Figure 2.)

⚠ CAUTION:

Use extreme care not to drill into the hopper. Use a drill stop to ensure that the drill bit does not penetrate deeper than 1/4" past the sheet metal. Failure to do so could result in a hole in the hopper, greatly reducing the efficiency of both the dispenser and ice maker.

5. Fasten the lid to the dispenser with four (4) #8 sheet metal screws (item 6), two on each side.

6. Seal the ice maker to the top of the dispenser as follows:
 - A. Remove the ice maker front panel.
 - B. Position the ice maker base on the gasket (item 7) located on the lid assembly.

IMPORTANT: DO NOT slide the ice maker into position on the lid.

 - C. Lift and set the ice maker base onto the lid to avoid damaging the gasket seal.
7. Install the brackets (item 5) on either the rear corners or on the back of the ice maker, using the brackets as a template. Use care not to drill into any ice maker components (condenser, tubing, etc.) or into the ice hopper. Be sure to overlap the lid assembly with the brackets, installing screws in both the lid assembly and ice maker.
8. Install the wireform bracket supplied with the bin-stat kit (item 4) through the 5/8" diameter hole in the bottom of the ice maker, wrapping the eye of the wireform over the stud near the hole in the ice maker and secure with the 8-32 nut provided (Figure 3. and Figure 4.) Feed the bin-stat cap tube through the hole to the end of the wireform bracket and wrap the tube around the end of the bracket several times, insuring that the tube is secure.

CAUTION:

The bin-stat must not interfere with the agitator rotation not be in the path of the ice falling from the ice maker. If so, bend the bracket out of the way.

9. Apply the label (item 8) on the front of the cover.

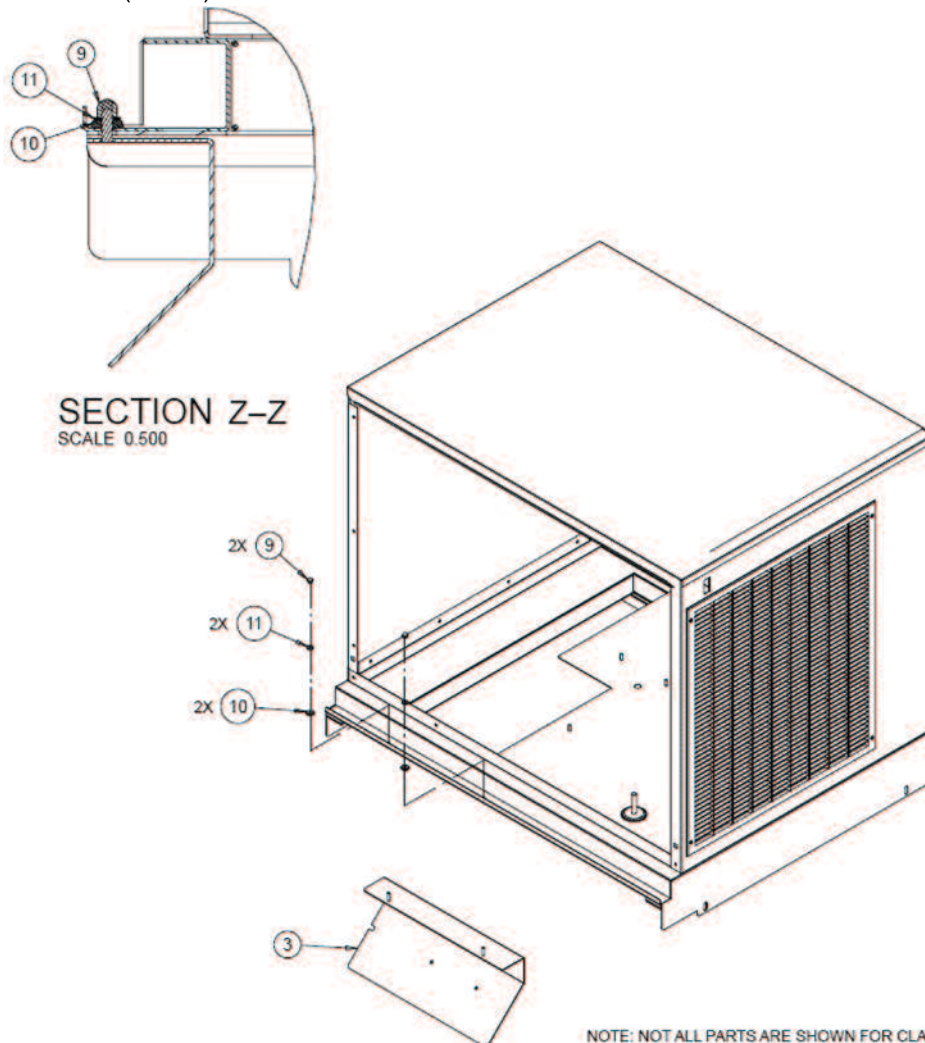
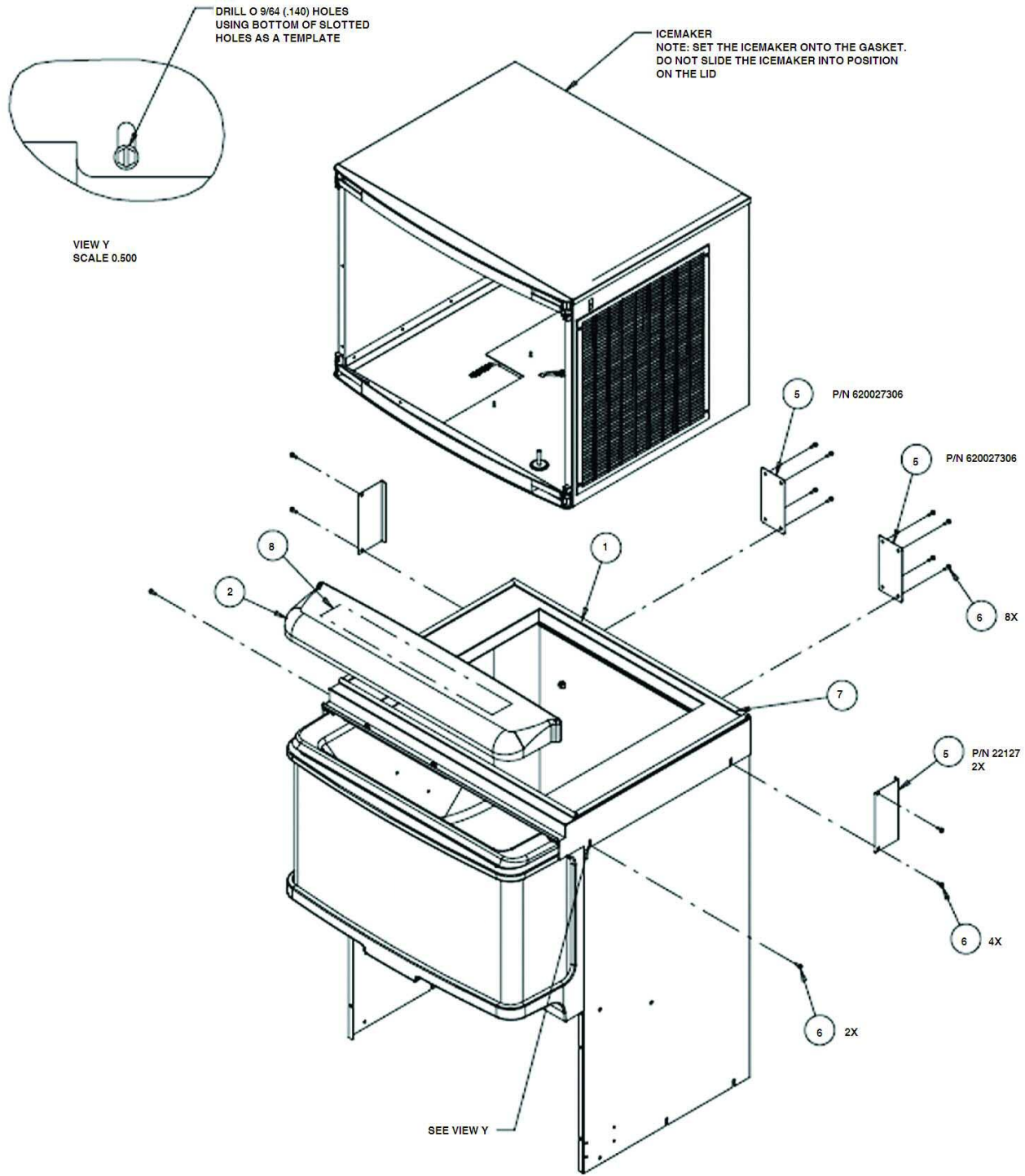


Figure 1. Parts



NOTE:
ITEM 5-USE EITHER P/N 620027306 OR P/N 22127

Figure 2. Dispenser Assembly

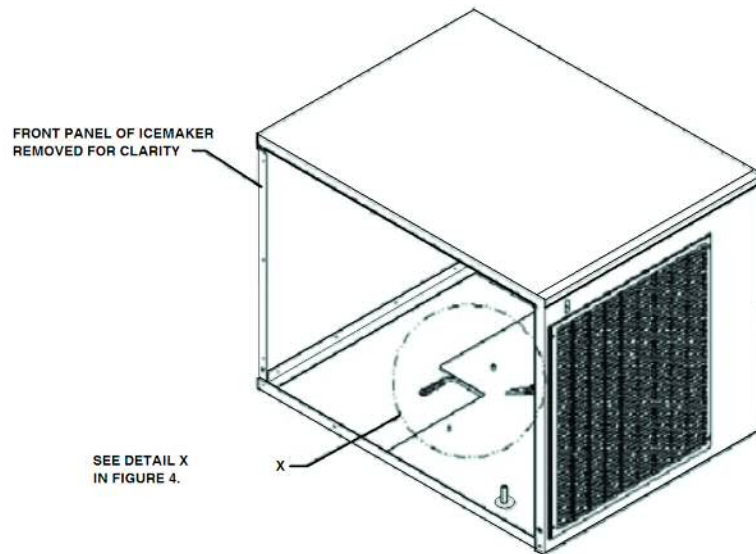


Figure 3. Bin Stat

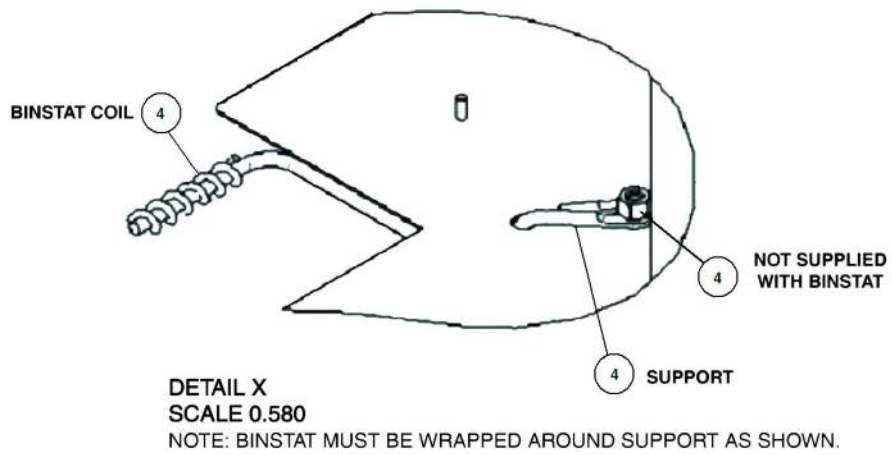


Figure 4. Detail X



Cornelius Inc.
www.cornelius.com