



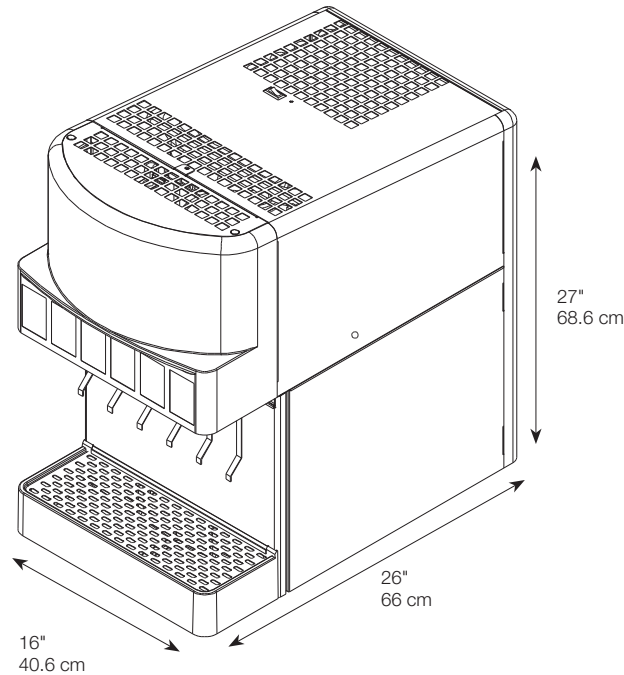
**IMPULSE™ JUICE**  
POST-MIX NON-CARBONATED  
BEVERAGE DISPENSER



## FEATURES

**Merchandising**– Accepts a variety of merchandising messages

**Dependable** – Designed for performance, reliability, and ease of service



| PART NUMBER | DESCRIPTION  |
|-------------|--|
| 851000320   | Impulse™ 1 – 6 Flavor UFJ Lever Activated, 115V / 60Hz |
| 851000359   | Impulse™ 1 – 6 Flavor UFJ Portion Control, 115V / 60Hz |
| 851000366   | Impulse™ 1 – 6 Flavor UFJ Push Button, 115V / 60Hz     |

## TECHNICAL SPECIFICATIONS

TYPE OF VALVES . . . . . UFJ 3 oz (88.8 mL) / sec  
 Post-Mix Lever  
 NUMBER OF VALVES . . . . . 6  
 REFRIGERANT . . . . . R-134a  
 ELECTRICAL REQUIREMENTS . . 115 V / 60 Hz  
 CUP CLEARANCE . . . . . 10.25" (26 cm)  
 COMPRESSOR . . . . . 1/3 HP  
 WATER BATH SIZE . . . . . 17 gal (64.4 L)  
 ICE BANK SIZE . . . . . 30 lb (13.6 kg)

CONTINUOUS  
 DRINK CAPACITY . . . . . 2.5 12 oz (355 mL)  
 drinks/min @ 75°F (24°C)  
 ambient  
 PEAK DRINK CAPACITY . . . . . 217 12oz (355 mL)  
 drinks/min @ 75°F (24°C)  
 ambient  
 SHIPPING WEIGHT: . . . . . 124 lb (56 kg)  
 AGENCY LISTINGS . . . . .

