

INSTALLATION INSTRUCTIONS

ED 2XX ICEMAKER ADAPTER KIT FOR USE WITH 2 CORNELIUS WCC SERIES ICEMAKERS

SAFETY INSTRUCTIONS

 **WARNING:**

Before starting installation, read and understand all safety label and warnings on the machine. Also review and understand all safety instructions in the owners, installation and service manuals.

Failure to comply could result in serious injury, death or damage to the equipment.

QUALIFIED SERVICE PERSONNEL

 **WARNING:**

Only trained and certified electrical, plumbing and refrigeration technicians should service this unit.

All wiring and plumbing must conform to national and local codes. Failure to comply could result in serious injury, death or equipment damage.

SAFETY PRECAUTIONS

This unit has been specifically designed to provide protection against personal injury. To ensure continued protection observe the following:

 **WARNING:**

Disconnect power to the unit before servicing. Follow all lock out/tag out procedures established by the user. Verify all power is off to the unit before performing any work.

Failure to comply could result in serious injury, death or damage to the equipment.

 **CAUTION:**

Always be sure to keep area around the unit clean and free of clutter.

Failure to keep this area clean may result in injury or equipment damage.

INSTALLATION PROCEDURE

1. Remove the plastic hopper lids from the top of the dispenser.
2. Install soft ice agitator kit (sold separately) into the dispenser.

NOTE: This soft ice agitator kit is required for proper dispenser operation using “compressed” or “soft” ice types. Failure to install this kit may result in undesirable beverage quality.

3. Unpack the adapter kit.
4. Assemble the baffle assembly onto the adapter lid as shown in Figure 1.

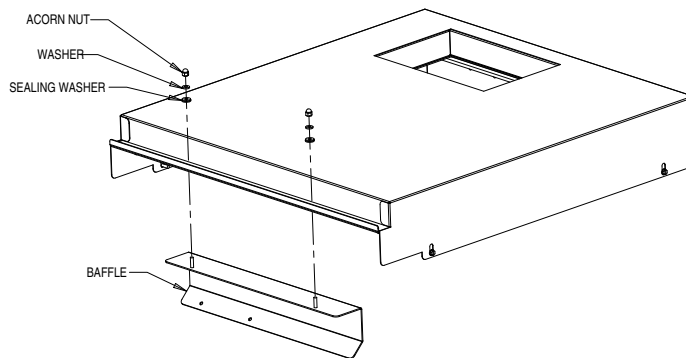


Figure 1

5. Set and secure adapter lid onto the dispenser as shown in Figure 2.

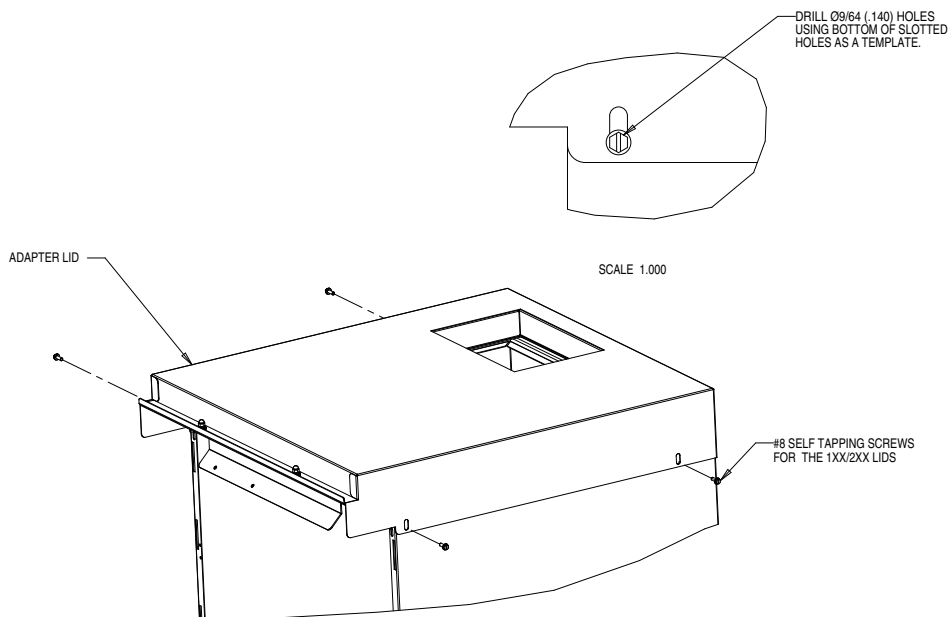
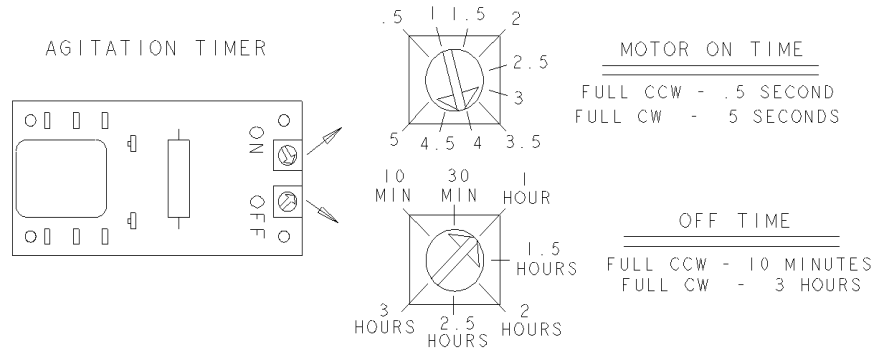
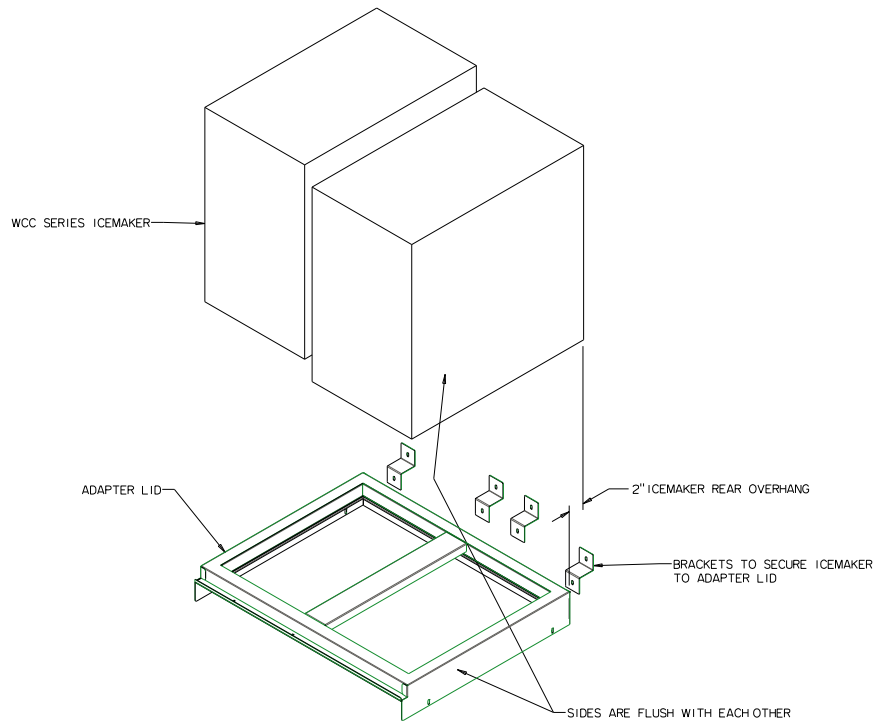


Figure 2

6. Remove merchandiser from dispenser by lifting up then pulling out. Set merchandiser aside.
7. Adjust the automatic agitator timing settings (located in the dispenser's electrical box) to 2 seconds ON, 3 hours OFF. See Figure 3.


Figure 3

8. Re-install merchandiser back onto the dispenser.
9. Set one icemaker on top of the adapter kit. See Figure 4.


Figure 4.

10. Follow the icemaker manufacturing instructions to complete the installation of the icemaker.

NOTE: Failure to install a bin thermostat correctly may result in inadequate hopper fill, ice dispense issues, hopper “ice bridging”, and/or possible damage to the icemaker.

11. Apply a continuous bead of NSF International (NSF) listed silastic sealant (Dow 732 or equivalent) to seal the icemaker to the top of the adapter lid. All excess sealant *must* be wiped away immediately.
12. Install the icemaker mounting brackets on the back of the icemaker by drilling 9/64” diameter holes, using one of the two supplied brackets as a template, into the rear of the icemaker and the rear of the adapter lid. **USE EXTREME CARE NOT TO DRILL INTO ANY ICEMAKER COMPONENTS.** Secure the icemaker to the adapter lid using the #8 self drilling and mounting brackets provided.
13. Repeat steps 9 through 12 for the second icemaker.
14. Re-connect electrical power to the dispenser.
15. Verify function and operation of both icemaker and dispenser.