

# INSTALLATION INSTRUCTIONS

**FOR ED 2XX KIT PN 620201015TE, 620204724TE AND 629087937TE**

## SAFETY

### **WARNING:**

Before starting installation, read and understand all safety label and warnings on the machine. Also review and understand all safety instructions in the owners, installation and service manuals.

**Failure to comply could result in serious injury, death or damage to the equipment.**

## QUALIFIED SERVICE PERSONNEL

### **WARNING:**

Only trained and certified electrical, plumbing and refrigeration technicians should service this unit.

**All wiring and plumbing must conform to national and local codes. Failure to comply could result in serious injury, death or equipment damage.**

## SAFETY PRECAUTIONS

This unit has been specifically designed to provide protection against personal injury. To ensure continued protection observe the following:

### **WARNING:**

Disconnect power to the unit before servicing. Follow all lock out/tag out procedures established by the user. Verify all power is off to the unit before performing any work.

**Failure to comply could result in serious injury, death or damage to the equipment.**

### **CAUTION:**

Always be sure to keep area around the unit clean and free of clutter. **Failure to keep this area clean may result in injury or equipment damage.**

Table 1. Loose-Shipped Parts

Item No.	Part No.	Name	Qty.
1.	620200134	Lid and Lanyard Assembly, Black(620204724TE & 629087937TE)	1
	620200136	Lid and Lanyard Assembly, Grey (620201015TE)	
2.	15271	Lid Assembly	1
3.	22127	Bracket	2
4.	70217	#8 Screw	6
5.	50904	RTV	1
6.	90221	Label	1
7.	620201015TEINS	Installation Instructions	1
8.	620701902	Acorn Nut, 8--32 Nylon	2
9.	620701901	Sealing Washer	2
10.	620037003	Baffle, Ice	1
11.	621701903	#8 Nylon Washer	2
12.	630500109	Bin Stat	1
13.	70100	Hex Nut 08-32	2
14.	43164	Screw 08-32	2
15.	620059361	Warning Label Baffle Installation	1
16.	620042927INS	Instruction Manual - Ice Bin Baffle Sheet	1

**⚠ WARNING:**

All ice baffle plates and bin stats, if included or recommended in this kit, must be installed as directed in this manual or the equipment manufacturer's instructions.

**Failure to comply could result in serious injury, death or damage to the equipment.**

**⚠ WARNING:**

All of the attachment screws and plates must be installed as directed in this manual. **Failure to comply could result in serious injury, death or damage to the equipment.**

1. Unpack kit.
2. Place insulation strip (item 12) over studs on the baffle and insert baffle assembly into the adapter lid.
3. Place (2) sealing washers (item 9) over studs and (2) flat washers (item 11), then fasten in place with (2) plastic acorn nuts (item 8).
4. Set ice maker lid on the top of the dispenser.
5. Using the slotted holes in the lid as a template, drill four (4) 0.140" diameter (9/64") holes at the bottom of the slots (see detail A). Use extreme care not to drill into the hopper. Fasten the lid to the dispenser with four (4) #8 sheet metal screws, two on each side.
6. Seal the ice maker to the top of the dispenser as follows:
  - A. Run beads of RTV around the opening in the lid and inside of the perimeter of the ice maker outline so that the ice maker will set on the RTV.
  - B. Set the ice maker onto the lid and position it as required.

- C. Wipe away the excess RTV.
7. Drill 9/64" diameter holes into the ice maker cabinet using the bracket as a template. Use extreme care not to drill into any ice maker components (condenser, tubing, etc.). Secure the brackets using the screws provided.
  8. Install the wire form bracket, supplied with the bin stat kit (item 4), through the 5/8" diameter hole in the bottom of the ice maker. Wrap the eye of the wireform over the stud near the hole to the end of the wireform bracket and wrap the tube around the end of the bracket several times, insuring the tube is secure.
- NOTE: The bin stat must not interfere with the agitator rotation or in the path of ice falling from the Icemaker. If it interferes with the agitator or in the path of ice, bend the bracket out of the way.**
9. If the plastic acorn nuts interfere with the positioning of the plastic manual fill cover, it may be necessary to make small notches in the back flange of the cover to clear the acorn nuts.
  10. The unit is now ready for operation.

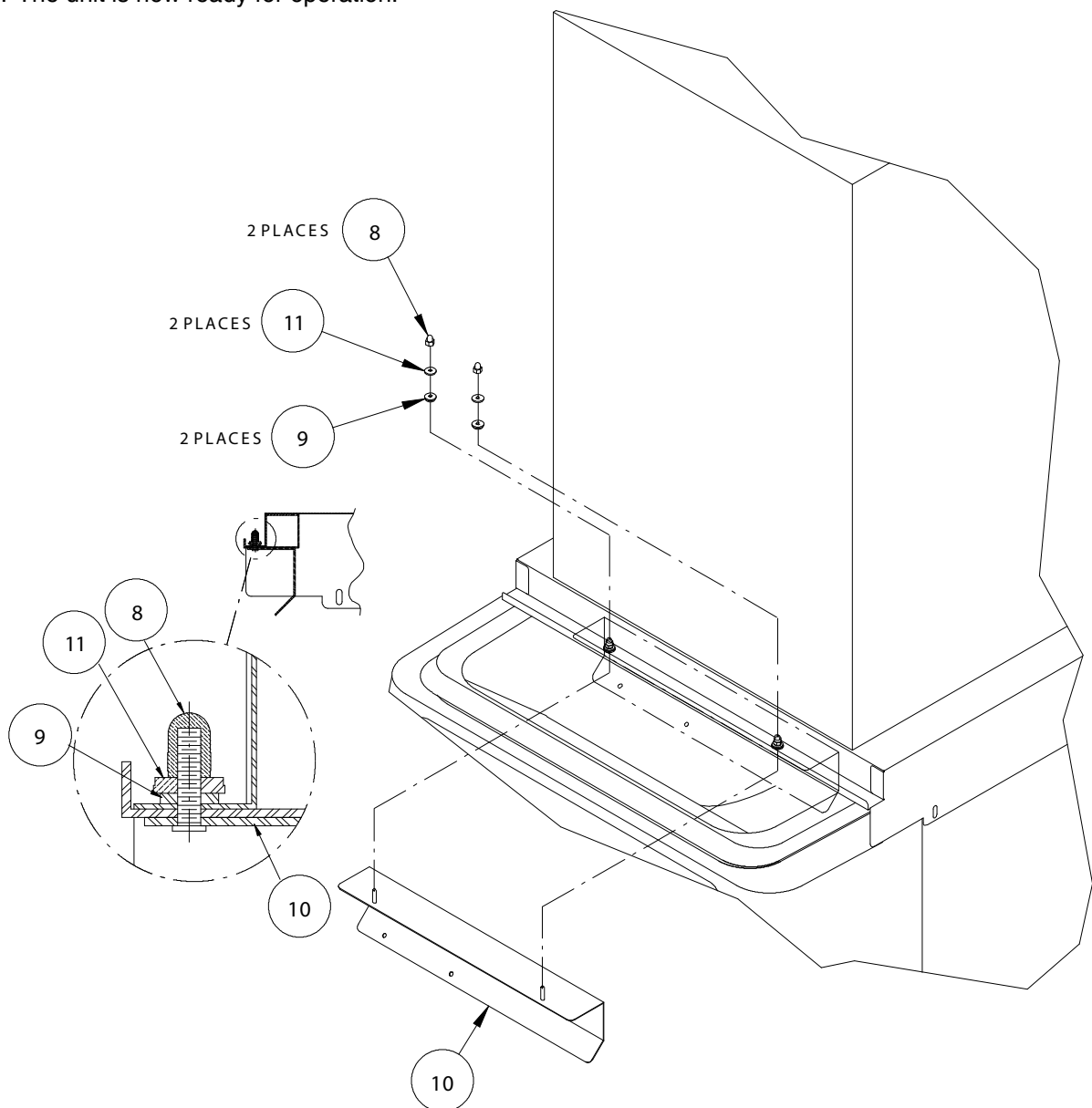


Figure 1. ED2XX Kit

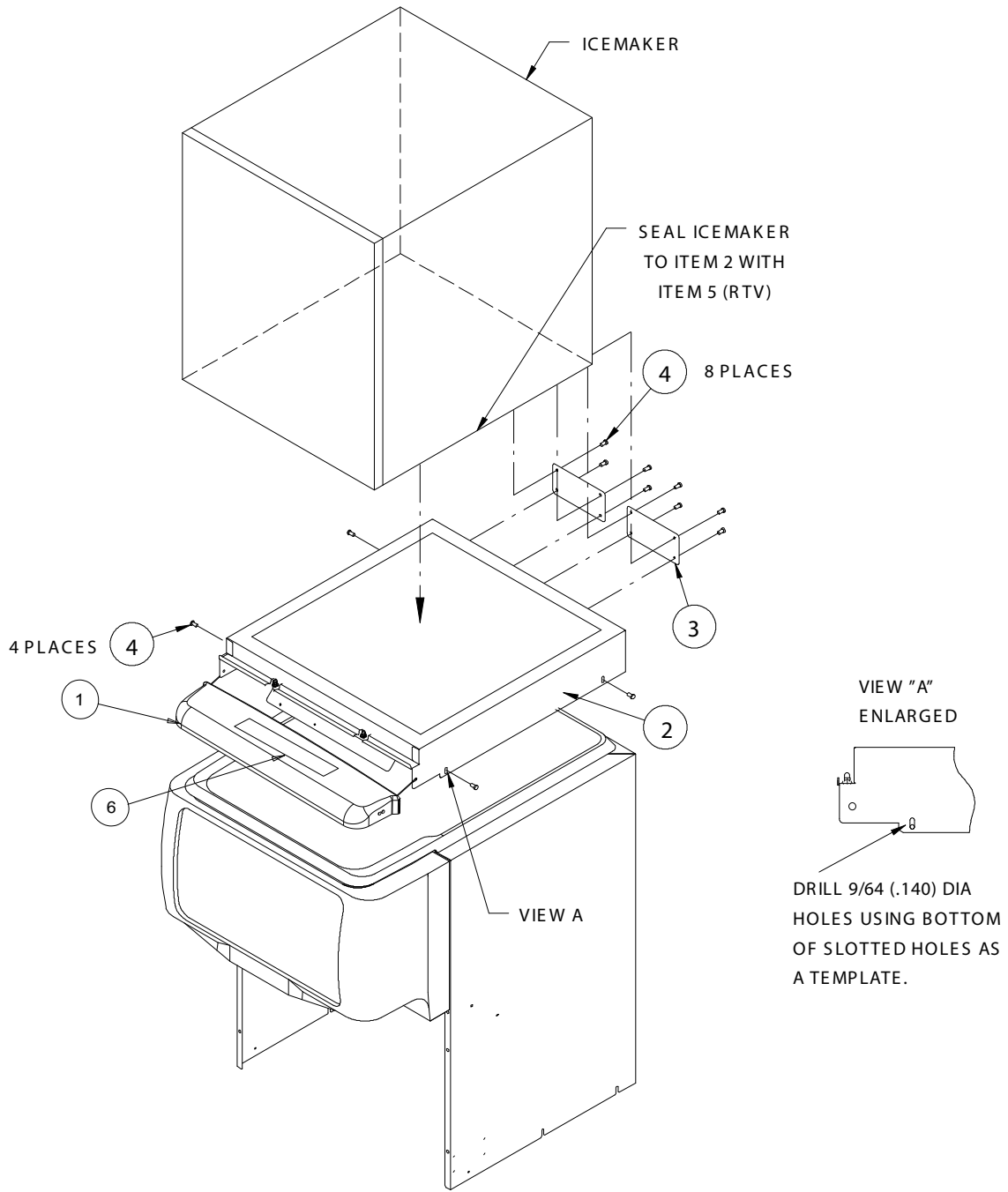
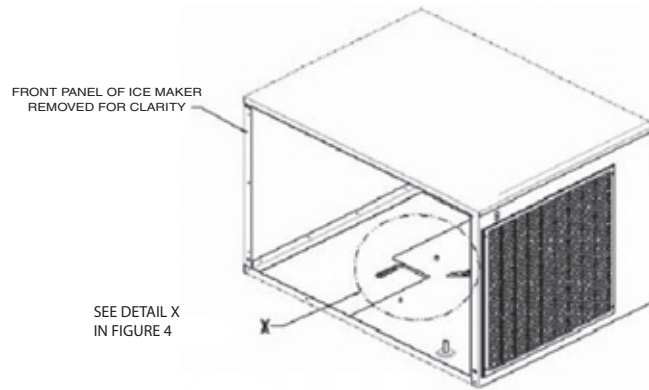
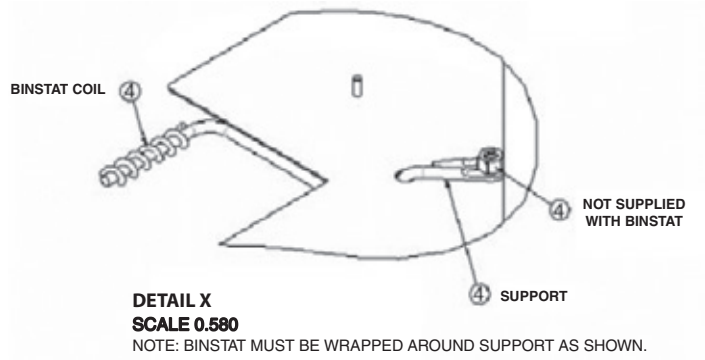


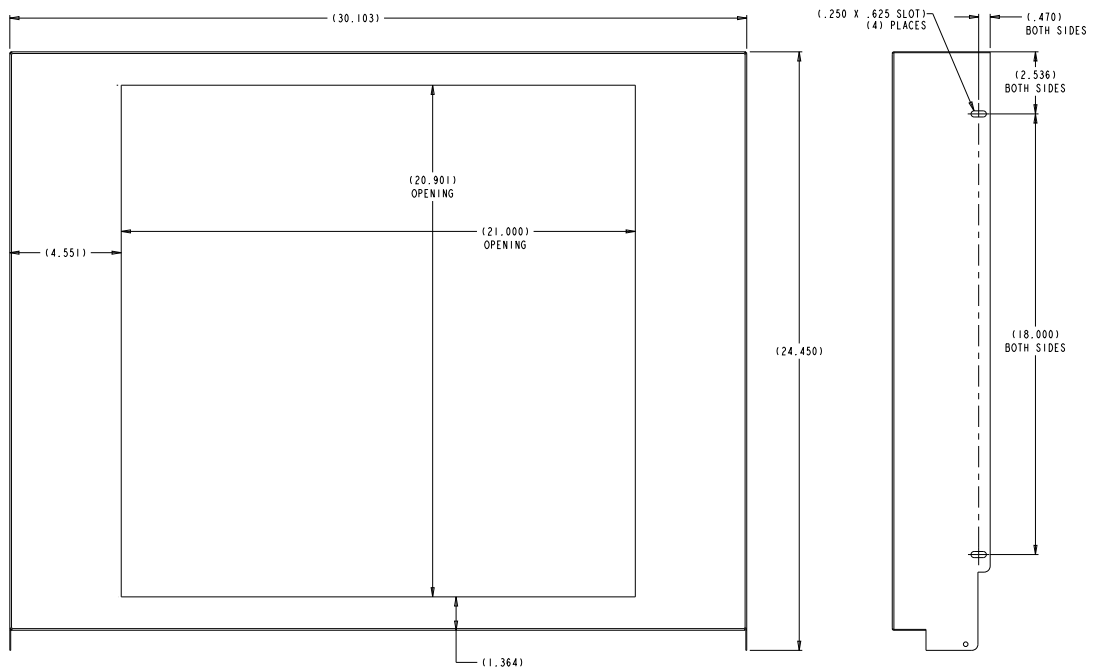
Figure 2. ED2XX Kit



**Figure 3. Bin Stat**



**Figure 4. Detail X**



**Figure 5. Reference Sheetmetal Cover Opening Dimensions for Mounting Icemaker.**