

# INSTALLATION INSTRUCTIONS

## ED300 ICEMAKER ADAPTER KIT (P/N 629087960)

This adapter kit is for the following ice maker:

**Table 1. Applicable Models**

Ice Maker	Width
Hoshizaki KM-1300 NRF	42"

**Table 2. Parts List**

Parts List			
Item No.	Part Number	Description	Qty.
1	620046131	Ice Maker Adapter Lid	1
2	620048806	Service Access Cover	1
3	620042919	Ice Baffle ED300	1
4	620051251	Ice Maker Mounting Bracket	2
5	70250	1/4-20 X 1/2" Screw	2
6	620701601	#10 X 1/2" Sheetmetal Screw	6
7	620701902	#8-32 Nylon Acorn Nut	4
8	620701901	Sealing Washer	4
9	620701903	#8 Nylon Washer	4
10	50904	RTV 3 oz. Tube	2
11	629087960INS	Installation Instructions	1

 **WARNING:**

Disconnect power to the unit before installing the adaptor following all lockout/tag out procedures established by the user. Verify that all the power is off to the unit before performing any work.

**Failure to comply could result in serious injury, death or damage to the equipment.**

 **WARNING:**

All ice baffle plates and bin stats, if included or recommended in this kit, must be installed as directed in this manual or the equipment manufacturer's instructions.

**Failure to comply could result in serious injury, death or damage to the equipment.**

 **WARNING:**

All of the attachment screws and plates must be installed as directed in this manual.

**Failure to comply could result in serious injury, death or damage to the equipment.**

 **WARNING:**

The dispenser must be secured with 3/8-16 bolts (6) to the counter before installing this ice maker adapter kit. Refer to the installation manual and Figure 2 for the counter mounting template.

Refer to Figure 1 for the following procedure:

1. Remove the plastic ice storage hopper covers (2) that were shipped with the unit.
2. Remove the (2) screws from each side of the dispenser cabinet. Position the ice maker adapter lid on the dispenser and use the (4) cabinet screws to secure the lid to the cabinet.
3. Install the ice baffle (item 4) to the adapter lid as shown in Figure 1.



4. Refer to Figure 1 to locate the ice maker on the adapter lid. The ice maker should extend (over hang) in the rear by 3 inches and centered on the adapter lid. Seal the ice maker base to the adapter lid by running a bead of RTV around the base perimeter on the lid. Set the ice maker onto the RTV. Wipe away any excess RTV.
5. Using the ice maker mounting brackets (item 5) as templates, drill 0.147" diameter holes (drill size 26) into the ice maker cabinet and the adapter lid. **Use caution so as not to drill into any ice maker component (condenser, tubing, ETC.).** Secure the mounting brackets to the ice maker and adapter lid with the #10 sheetmetal screws (item 7) provided in the kit.
6. Follow the ice maker manufacturer's instructions to complete the ice maker installation. **Important: If bin thermostat kit is installed. The thermostat capillary tube and mounting bracket must not interfere with agitator rotation.**
7. Check that the automatic agitation timer located in the dispenser's electrical control box is set for automatic fill cube ice. The control box is located behind the merchandiser. Remove the merchandiser by lifting up on the sides to disengage the mounting "hooks" from the cabinet slots and rotating forward. Refer to the label in the control box for setting agitation times.
8. Install the service access cover (item 2) on the adapter lid (item 1) with the #1/4-20 screws (item 6) provided in the kit. Check for proper operation of the door; it should be free to open by lifting up on the door handle to the left open position.
9. The unit is now ready for operation.

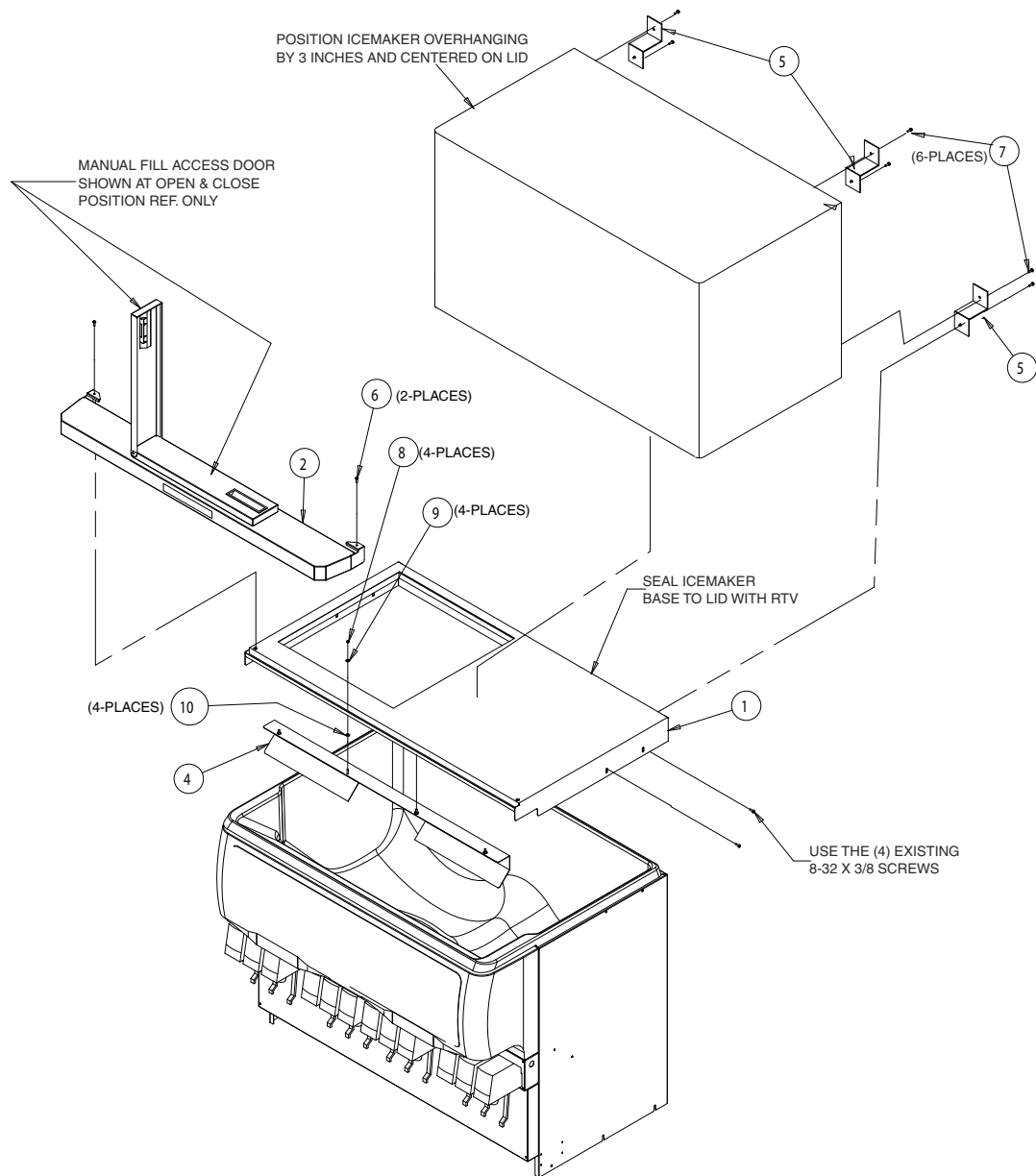


Figure 1. Exploded View of Ice Maker Adapter Lid Assembly

