



# INSTALLATION INSTRUCTIONS

## ED/DF300 30" CCM330/430/530/630/830/1030 NORDIC BLACK/GRAY STYLE LID KITS

This Nordic style kit applies to the Cornelius 30" wide CCM330/430/530/630/830/1030 ice maker.

**Table 1. Supplied Loose Parts**

Item No.	Part No.	Name	Qty.
1	15209	Adapter Lid	1
2	22127	Bracket	2
3	50904	RTV	1
4	52946 52964	Cover, Gray Cover, Black	1
5	91957	Label	1
6	620042919	Baffle, Ice	1
7	70226	#10 x 3/4" Sheetmetal Screw	12
8	620701902	Acorn Nut, 8--32 Nylon	4
9	620701901	Sealing Washer	4
10	611701903	#8 Nylon Washer	4
11	15192	Lid Opening Cover (For 22-inch Wide Icemakers)	2
12	630500109	Bin Stat	1

**WARNING:**

Disconnect power to the unit before installing the adaptor following all lockout/tag out procedures established by the user. Verify that all the power is off to the unit before performing any work.

**Failure to comply could result in serious injury, death or damage to the equipment.**

**WARNING:**

All ice baffle plates and bin stats, if included or recommended in this kit, must be installed as directed in this manual or the equipment manufacturer's instructions.

**Failure to comply could result in serious injury, death or damage to the equipment.**

**WARNING:**

All of the attachment screws and plates must be installed as directed in this manual.

**Failure to comply could result in serious injury, death or damage to the equipment.**

**WARNING:**

The dispenser must be secured with 3/8-16 bolts (6) to the counter before installing this Ice Maker Adapter Kit. Refer to the installation manual and Figure 3 for the counter mounting template.

**NOTE: Adjust the automatic agitation timer located in the dispenser's electrical control box to 5 seconds on, 20 minutes off. Access to the timer is provided by removing the merchandiser/upper front panel.**

1. Unpack the kit.
2. Remove the two (2) screws from each side of the dispenser cabinet and the plastic hopper covers (2) that were shipped with the unit.
3. Place the adapter lid on the unit and use the four (4) screws that were removed to fasten the lid in place.
4. Install the ice baffle on the lid assembly as shown in Figure 2.

**IMPORTANT: The baffle prevents ice from over-filling the manual fill area during agitation/dispensing with a full storage bin and forcing the manual fill cover off.**

5. Seal the ice maker to the top of the dispenser after determining the correct location for the ice maker (see Figure 1).
  - A. Run beads of RTV around the opening in the lid and inside of the perimeter of the ice maker outline so that the ice maker will set on the RTV.
  - B. Set the ice maker onto the lid and position it as required.
  - C. Wipe away the excess RTV.
6. Drill 0.136" diameter holes into the ice maker cabinet and the dispenser lid using the ice maker mounting brackets as templates. **USE CAUTION SO AS NOT TO DRILL INTO ANY ICE MAKER COMPONENTS (CONDENSER, TUBING, ETC.).** Secure the brackets using the #10 sheet metal screws provided.
7. Install the wire form bracket, supplied with the bin stat kit (item 4), through the 5/8" diameter hole in the bottom of the ice maker. Wrap the eye of the wire form over the stud near the hole to the end of the wire form bracket and wrap the tube around the end of the bracket several times, insuring the tube is secure.

**NOTE: The bin stat must not interfere with the agitator rotation or in the path of ice falling from the ice-maker. If it interferes with the agitator or in the path of ice, bend the bracket out of the way.**

8. For 22-inch wide ice makers, locate the lid opening covers (2) (item 11) as shown in Figure 1. Secure the covers to the adapter lid by drilling 0.136" diameter holes into the lid. Use the covers as templates to locate the mounting holes. Secure the covers with the # 10 sheet metal screws.
9. Locate the cleaning caution label (item 5) on the manual ice fill cover (item 4) as shown in Figure 1. Place the manual fill cover in position over the flange on the lid assembly and the front access hopper opening.
10. The unit is now ready for operation.

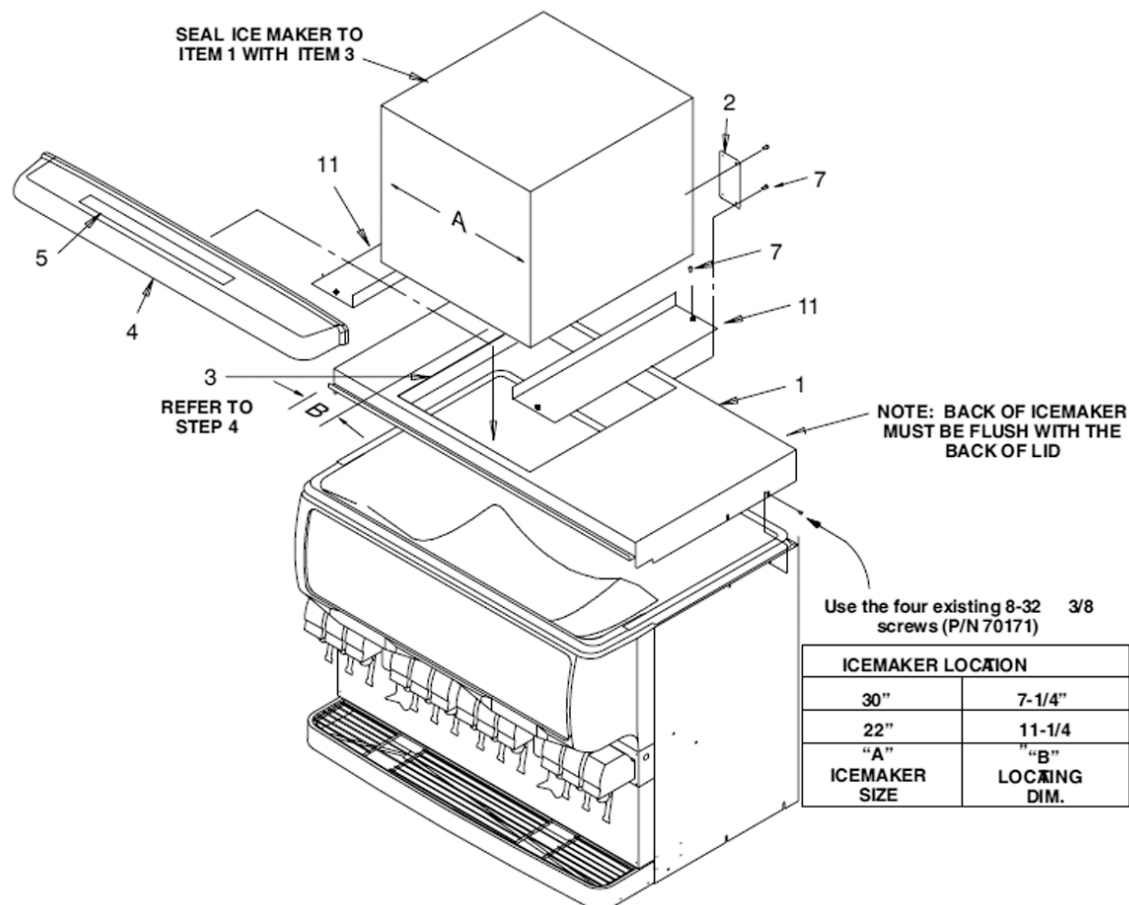


Figure 1. ED/DF300 Kit

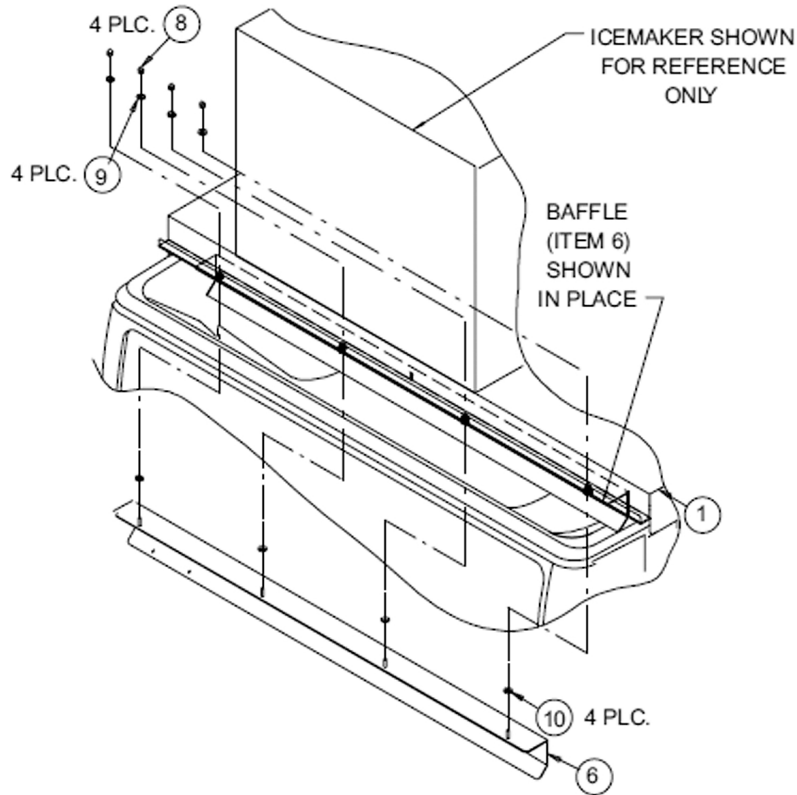


Figure 2. ED/DF300 Kit Ice Baffle Installation

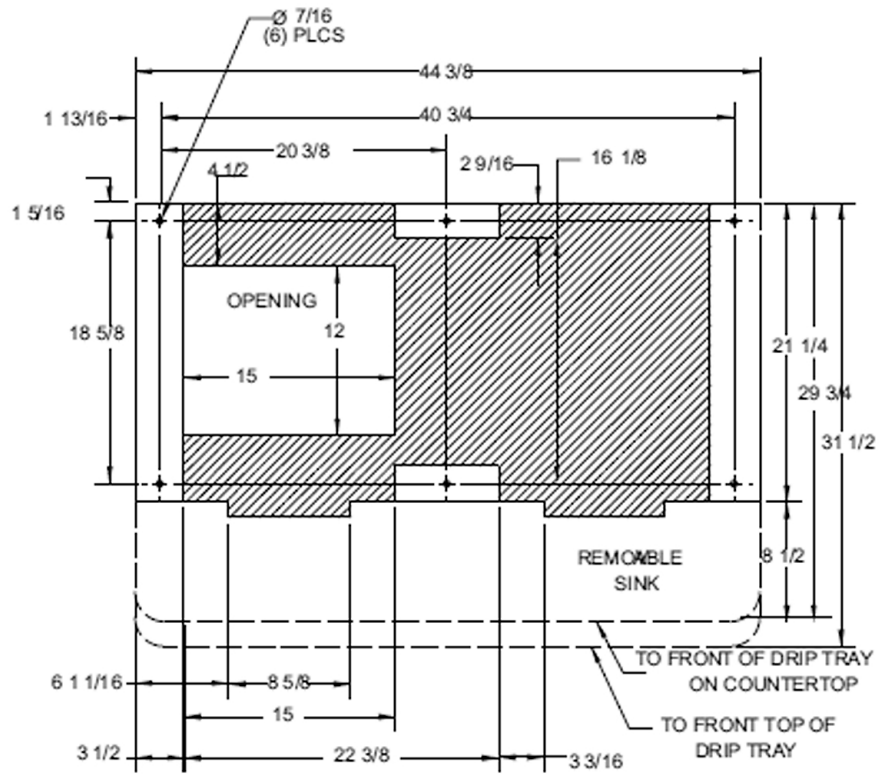


Figure 3 ED/DF300 Mounting Template

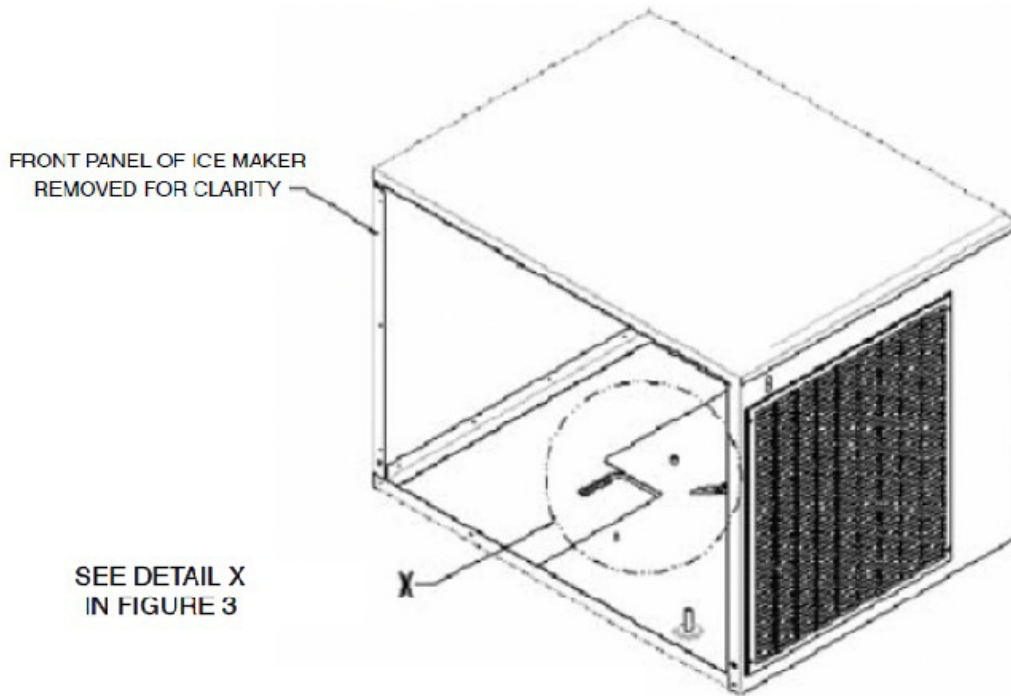


Figure 4. Bin Stat

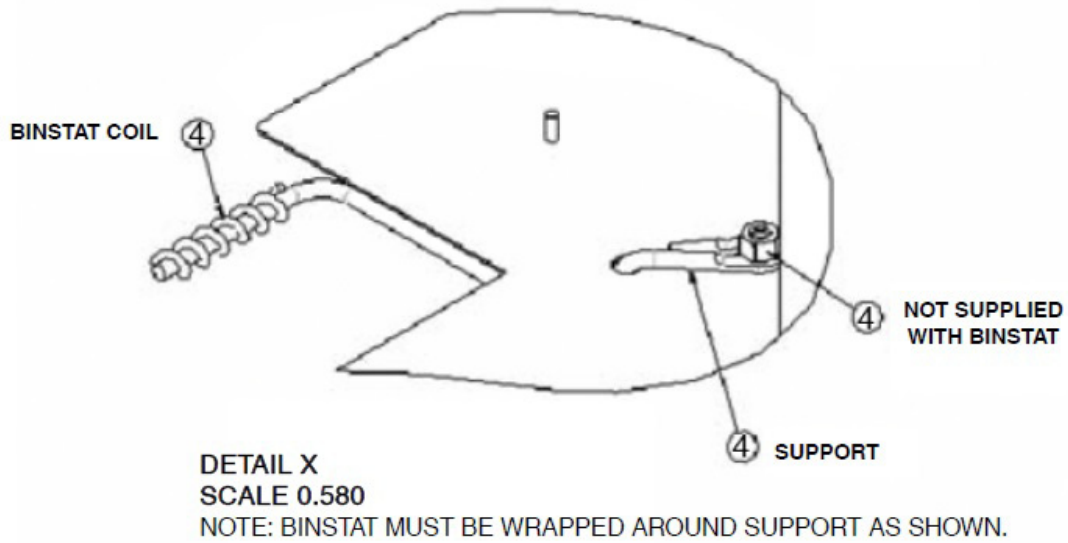


Figure 5. Detail X