



INSTALLATION INSTRUCTIONS

FOR CORNELIUS "I" SERIES ICE MAKER ED150 ICE BAFFLE KIT, P/N 629082903

Table 1. Loose Shipped Parts

Item No.	Part No.	Name	Qty.
1	620701902	Acorn Nut, 8-32 Nylon	4
2	620701901	Sealing Washer	2
3	620505804	Insulation Strip - ED150	1
4	50456	Clamp, 1/423 Nylon	2
5	621701903	#8 Nylon Washer	2
6	620042928	Baffle Ice ED150 Adapter Lid	1
7	70171	8-32 x 3/8 SS Phil. Head Screw	2
8	50377	Clamp, 1/823 Nylon	2
9	50309	Tubing, Vinyl 1/8 x 1/2	25"
10	631500000*	Bin Star Kit	1

NOTE:The installation of a Bin Stat Kit is optional and is suggested for locations where high humidity conditions are encountered. Disregard Steps 6 through 10, 13 and 14 if a Bin Stat Kit is not used.

⚠ WARNING:

Disconnect power to the unit before installing the adaptor following all lockout/tag out procedures established by the user. Verify that all the power is off to the unit before performing any work.

Failure to comply could result in serious injury, death or damage to the equipment.

⚠ WARNING:

All ice baffle plates and bin stats, if included or recommended in this kit, must be installed as directed in this manual or the equipment manufacturer's instructions.

Failure to comply could result in serious injury, death or damage to the equipment.

⚠ WARNING:

All of the attachment screws and plates must be installed as directed in this manual.

Failure to comply could result in serious injury, death or damage to the equipment.

REFER TO FIGURE 1 AND FIGURE 2

1. Remove the manual fill cover from the unit.
2. Empty all ice out of dispenser into clean and sanitary containers or plastic bags.
3. Use plastic insulation strip (item 3) as a drill template. Place edge of template flush with front edge of "J" channel and center left to right on adapter. Tape in place.
4. Drill (2) 3/16" diameter holes using care to catch and remove all metal shavings from the dispenser.
5. Remove tape and plastic insulator strip.
6. Mount optional Bin Stat Kit (P/N 631500000) as instructed except for the Bin Stat capillary tube mounting.

7. Pull 32" of capillary out of bottom of the ice maker. Slit and place plastic sleeve (item 9) over the capillary tube leaving 6" of bare capillary tube exposed between capillary "S" bend and sleeving.
8. Assembly (2) 1/8" plastic clamps (item 8) to the back side of the SS baffle (item 6) with (2) 8-32 x 3/8" screws (item 7) and plastic acorn nuts (item 1). Do not tighten.
9. Route capillary tube around baffle as shown in Figure 1 and Figure 2.
10. Position (2) 1/4" plastic clamps (item 4) on studs of SS baffle (item 6) and (2) plastic flat washers (item 5) on studs as shown in Section YY.
11. Place plastic insulation strip over the studs and insert baffle assembly into the adapter lid.
12. Place (4) sealing washers (item 2) over studs and fasten in place with (4) plastic acorn nuts (item 1).
13. Route and form capillary as shown in Figure 1 and Figure 2. Tighten (2) plastic clamps (8-32 x 3/8" screws) to hold capillary tube in place.
14. Turn bin stat adjustment screw clockwise until it stops. Then turn it counterclockwise 1/8 of a turn. Verify Bin Stat is working by holding ice on the bare capillary tube. The bin stat allows the ice machine cycle to complete and harvest ice. Then the machine will shut down. Remove the ice from the capillary tube and warm the tube with hand heat. The ice machine should start in approximately 60 seconds.
15. Load previously removed ice into the dispenser through the manual fill opening. Occasionally dispense ice out of both dispensing areas to assure the dispenser will fill properly with ice.
16. If the plastic acorn nuts interfere with the positioning of the plastic manual fill cover, it may be necessary to make small notches in the cover to clear the acorn nuts.

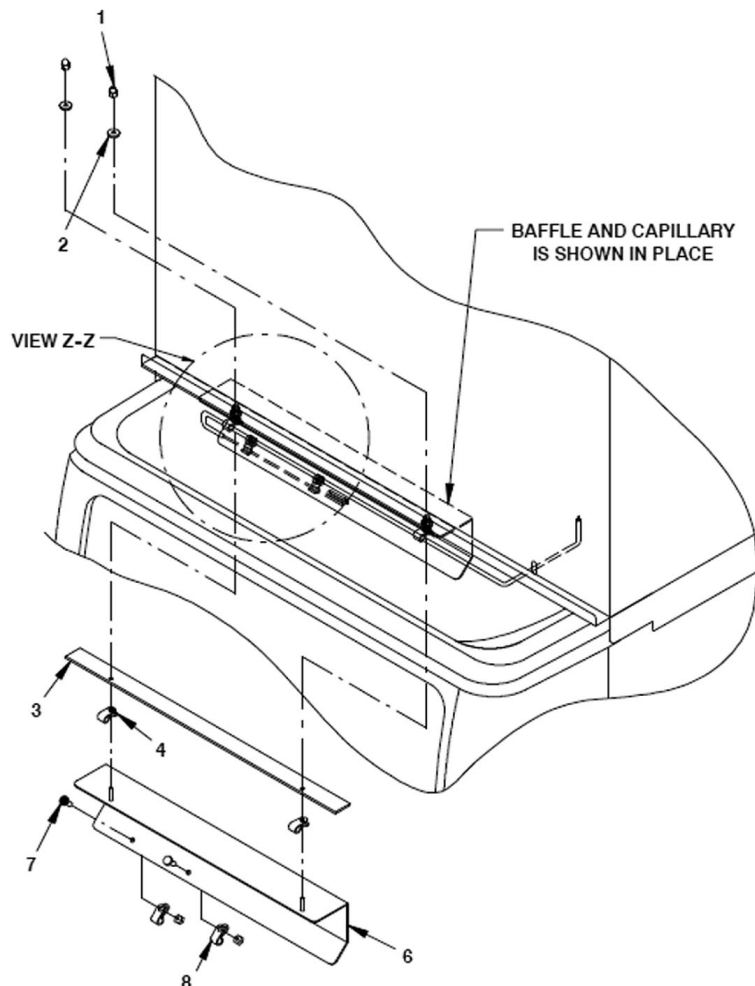


Figure 1. ED150 Baffle Kit

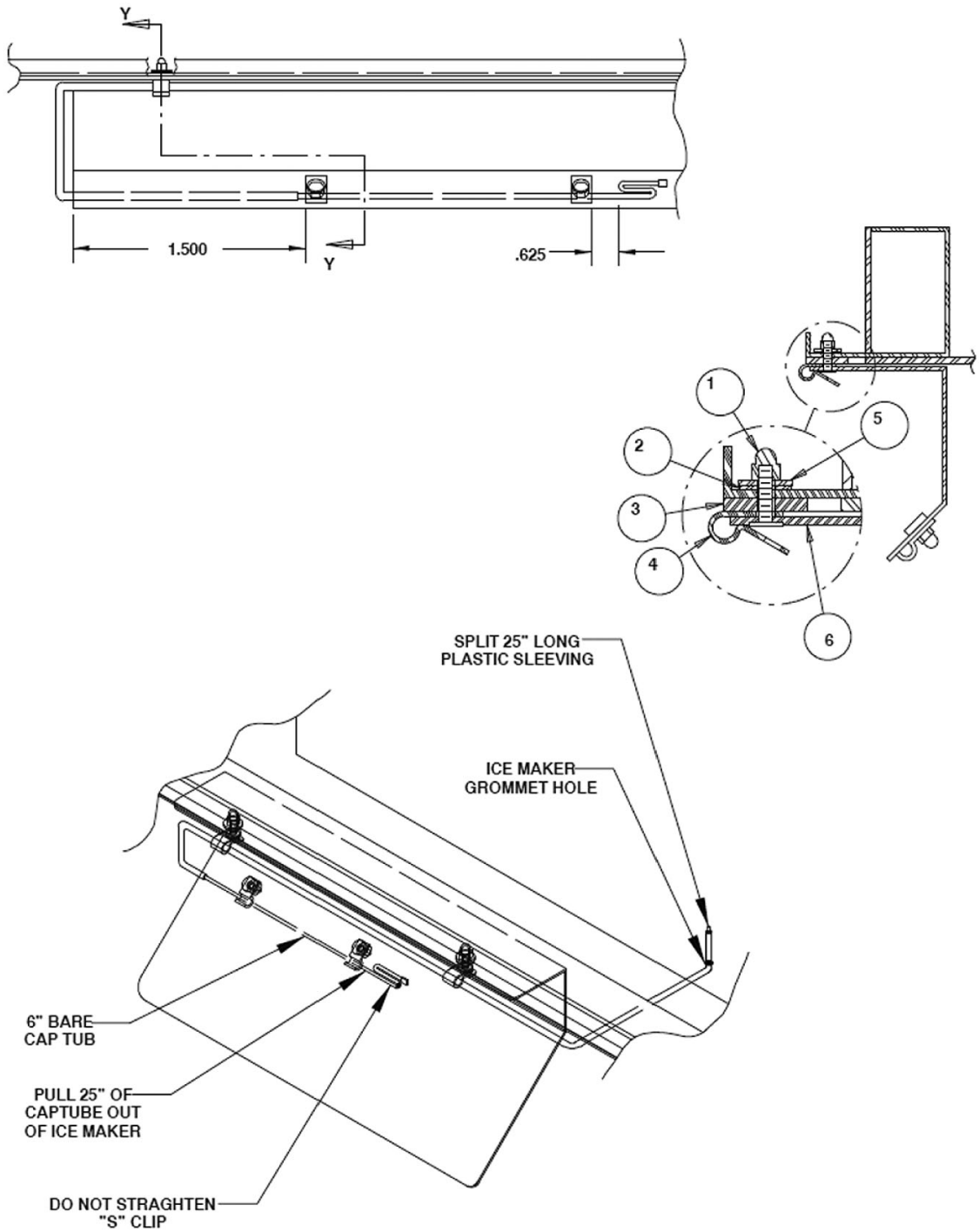


Figure 2. ED150 Baffle Kit Details