

INSTALLATION INSTRUCTIONS

ED175 ICEMAKER ADAPTER KIT

USING SINGLE WCC500/700 SERIES ICEMAKERS

SAFETY INSTRUCTIONS

 **WARNING:**

Before starting installation, read and understand all safety label and warnings on the machine. Also review and understand all safety instructions in the owners, installation and service manuals.

Failure to comply could result in serious injury, death or damage to the equipment.

QUALIFIED SERVICE PERSONNEL

 **WARNING:**

Only trained and certified electrical, plumbing and refrigeration technicians should service this unit.

All wiring and plumbing must conform to national and local codes. Failure to comply could result in serious injury, death or equipment damage.

SAFETY PRECAUTIONS

This unit has been specifically designed to provide protection against personal injury. To ensure continued protection observe the following:

 **WARNING:**

Disconnect power to the unit before servicing. Follow all lock out/tag out procedures established by the user. Verify all power is off to the unit before performing any work.

Failure to comply could result in serious injury, death or damage to the equipment.

 **CAUTION:**

Always be sure to keep area around the unit clean and free of clutter.

Failure to keep this area clean may result in injury or equipment damage.

Table 1: Parts List

Item No.	Part No.	Name	Qty.
1	620043511	Cover, Gray - 629087984	1
	620043512	Cover, Black - 629087985	1
2	620520631	Icemaker Adapter Lid Assembly	1
3	22127	Bracket	2
4	70217	#8 Screw	12
5	50904	RTV	1
6	91957	Label	1
7	02394	Ice Diverter Kit	1
8	620701902	Acorn Nut, 8–32 Nylon	2
9	620701901	Sealing Washer	2
10	620042928	Baffle, Ice ED150	1
11	621701903	#8 Nylon Washer	2

! WARNING:

All ice baffle plates and bin stats, if included or recommended in this kit, must be installed as directed in this manual or the equipment manufacturer's instructions.

Failure to comply could result in serious injury, death or damage to the equipment.

! WARNING:

All of the attachment screws and plates must be installed as directed in this manual.

Failure to comply could result in serious injury, death or damage to the equipment.

Perform the following procedure to install the adapter kit. Refer to Figure 1 and Figure 2 while performing this procedure.

1. Remove the plastic hopper lid from the top of the dispenser.
2. Install soft ice agitator kit (*sold separately*) into the dispenser.

NOTE: This soft ice agitator kit is required for proper dispenser operation using “compressed” or “soft” ice types. Failure to install this kit may result in undesirable beverage quality.

3. Unpack and inspect the adapter kit.
4. Install ice deflector kit (part # 02394) on the unit.
5. Insert a baffle assembly into the adapter lid.
6. Place (2) sealing washers over studs (item 9) and (2) flat washers (Item 11), then fasten in place with (2) plastic acorn nuts (item 8). (See Figure 2.)
7. Set icemaker lid on the top of the dispenser.
8. Using the slotted holes in the lid as a template, drill four (4) 0.140” diameter (9/64”) holes at the bottom of the slots (see detail A). **Use extreme care not to drill into the hopper.** Fasten the lid to the dispenser with four (4) #8 sheet metal screws, two on each side.
9. Seal the icemaker to the top of the dispenser as follows:
 - A. Run beads of RTV around the opening in the lid and inside of the perimeter of the icemaker outline so that the icemaker sets on the RTV.

- B. Set the icemaker onto the lid and position it as required.
- C. Wipe away the excess RTV.
- 10. Drill 9/64" diameter holes into the icemaker cabinet using the bracket as a template. Use extreme care not to drill into any icemaker components (condenser, tubing, etc.). Secure the brackets using the screws provided.
- 11. Follow the icemaker manufacturers instruction to complete the installation of the icemaker including the bin thermostat if so equipped or required.

NOTE: Failure to install a bin thermostat correctly may result in inadequate hopper fill, ice dispense issues, hopper "ice bridging", and/or possible damage to the icemaker.

- 12. If the plastic acorn nuts interfere with the positioning of the plastic manual fill cover, it may be necessary to make small notches in the back flange of the cover to clear the acorn nuts.

NOTE: Bin Thermostat must not interfere with the agitator rotation.

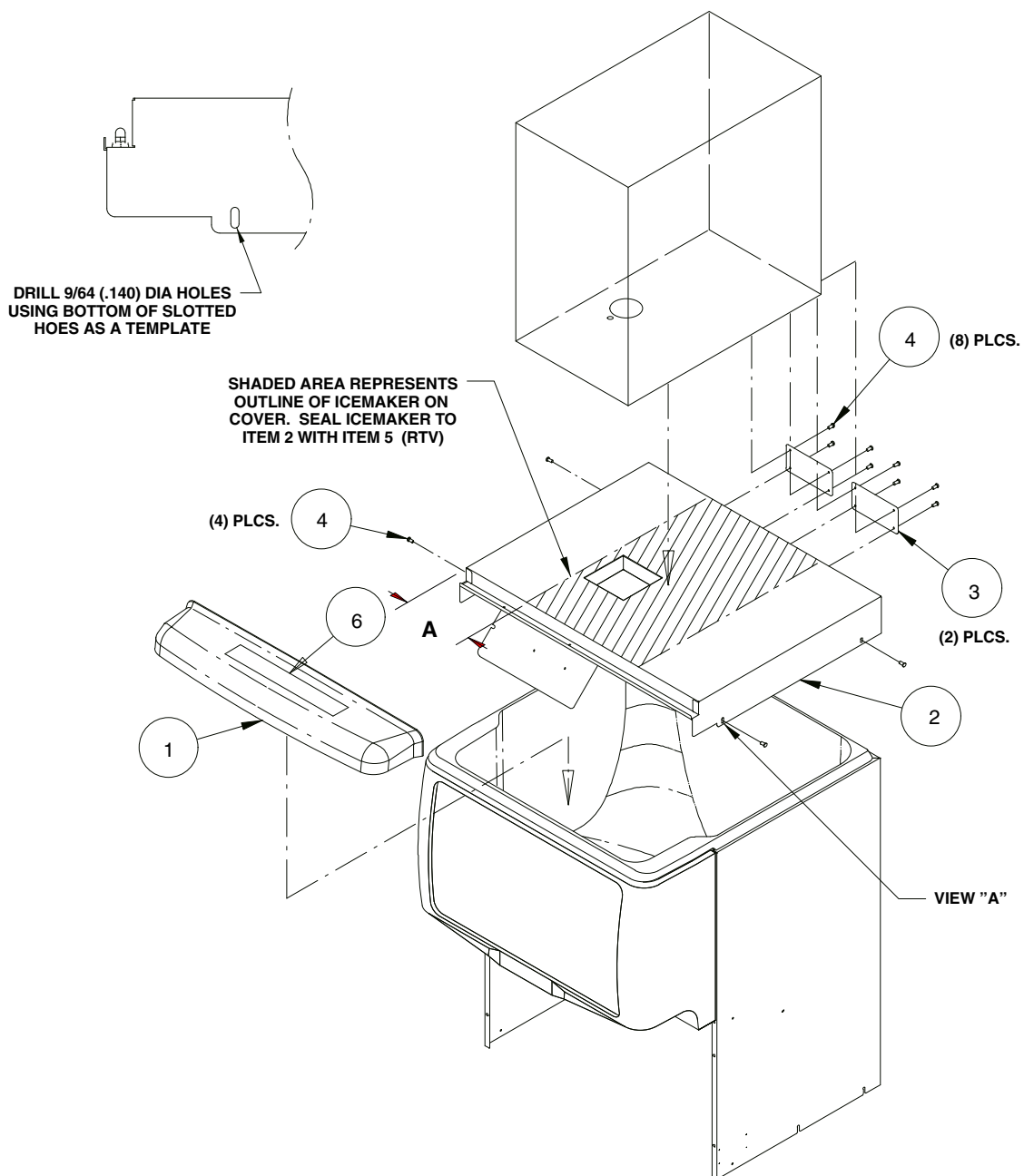


Figure 1.

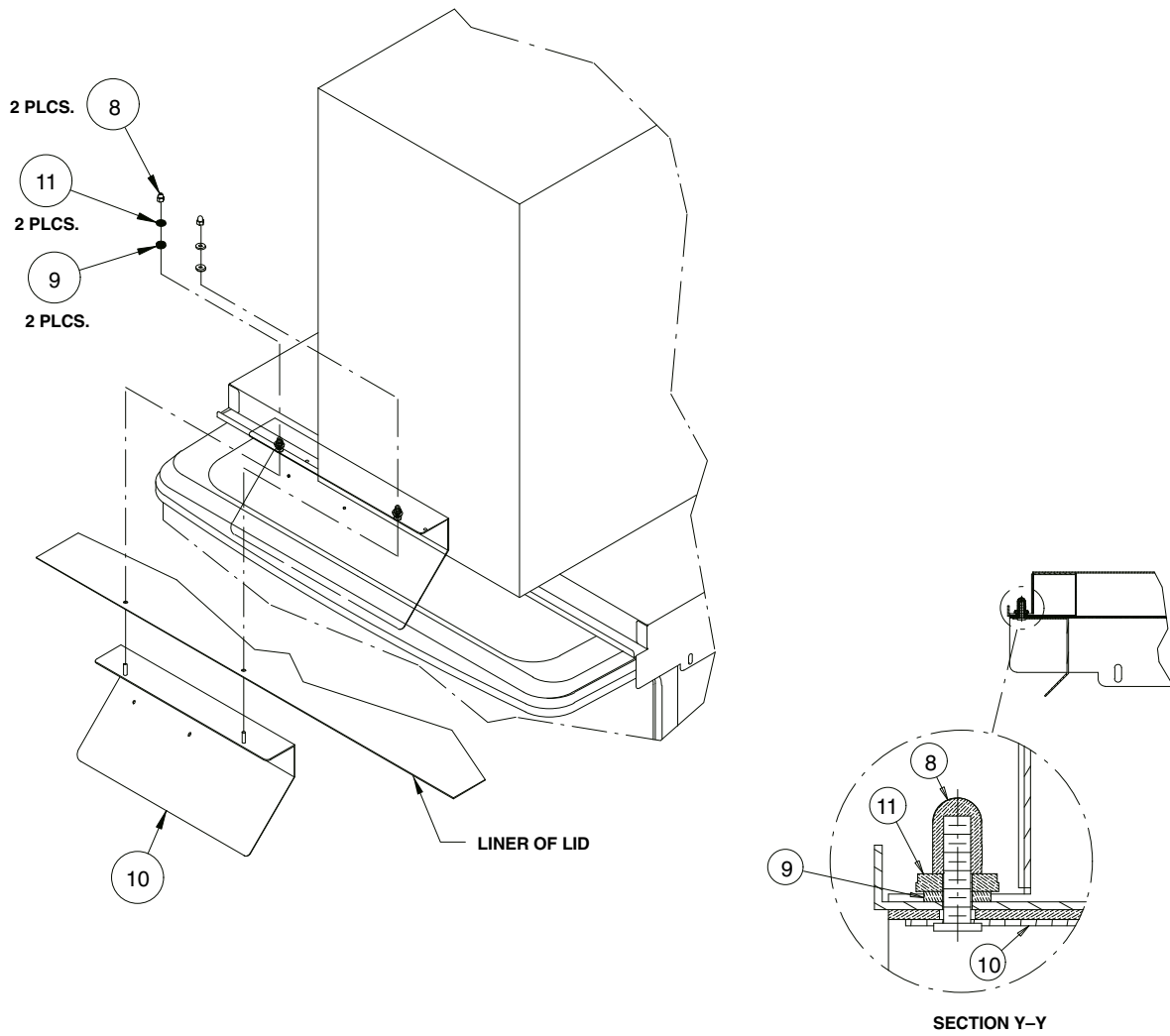


Figure 2.