



INSTALLATION INSTRUCTIONS

ED2XX 22" CCM322/522 NORDIC BLACK/GRAY STYLE LID KITS

This Nordic style kit applies to the Cornelius 22" wide CCM322/522 ice maker.

Table 1. Supplied Loose Parts

Item No.	Part No.	Name	Qty.
1	553003	Cover, Gray	1
	52969	Cover, Black	
2	15276	Lid Assembly	1
3	22127	Bracket	2
4	70217	#8 Screw	12
5	50904	RTV	1
6	90221	Label	1
7	620204724INS	Installation Instruction	1
8	620701902	Acorn Nut, 8-32 Nylon	2
9	620701901	Sealing Washer	2
10	620037003	Ice Baffle ED2XX	1
11	621701903	#8 Nylon Washer	2
12	630500109	Bin Stat	1



WARNING:

Disconnect power to the unit before installing the adaptor following all lockout/tag out procedures established by the user. Verify that all the power is off to the unit before performing any work.

Failure to comply could result in serious injury, death or damage to the equipment.



WARNING:

All ice baffle plates and bin stats, if included or recommended in this kit, must be installed as directed in this manual or the equipment manufacturer's instructions.

Failure to comply could result in serious injury, death or damage to the equipment.



WARNING:

All of the attachment screws and plates must be installed as directed in this manual.

Failure to comply could result in serious injury, death or damage to the equipment.

1. Unpack the kit.
2. Insert baffle assembly into the adapter lid.
3. Place (2) sealing washers (item 9) and (2) flat washers (item 11) over studs, then fasten in place with (2) plastic acorn nuts (item 8).
4. Set the ice maker lid on the top of the dispenser.
5. Using the slotted holes in the lid as a template, drill four (4) .140" diameter (9/64") holes at the bottom of the slots (see detail A). Use extreme care not to drill into the hopper. Fasten the lid to the dispenser with four (4) #8 sheet metal screws, two on each side.
6. Seal the ice maker to the top of the dispenser as follows:
 - A. Run beads of RTV around the opening in the lid and inside of the perimeter of the ice maker outline so that the ice maker will set on the RTV.
 - B. Set the ice maker onto the lid and position it as required.

C. Wipe away the excess RTV.

7. Drill 9/64" diameter holes into the ice maker cabinet using the bracket as a template. Use extreme care not to drill into any ice maker components (condenser, tubing, etc.). Secure the brackets using the screws provided.
8. Install the wire form bracket, supplied with the bin stat kit (item 4), through the 5/8" diameter hole in the bottom of the ice maker. Wrap the eye of the wireform over the stud near the hole to the end of the wireform bracket and wrap the tube around the end of the bracket several times, insuring the tube is secure.

NOTE: The bin stat must not interfere with the agitator rotation or in the path of ice falling from the ice-maker. If it interferes with the agitator or in the path of ice, bend the bracket out of the way.

9. If the plastic acorn nuts interfere with the positioning of the plastic manual fill cover, it may be necessary to make small notches in the back flange of the cover to clear the acorn nuts.

NOTE: Bin thermostat must not interfere with the agitator rotation.

10. The unit is now ready for operation.

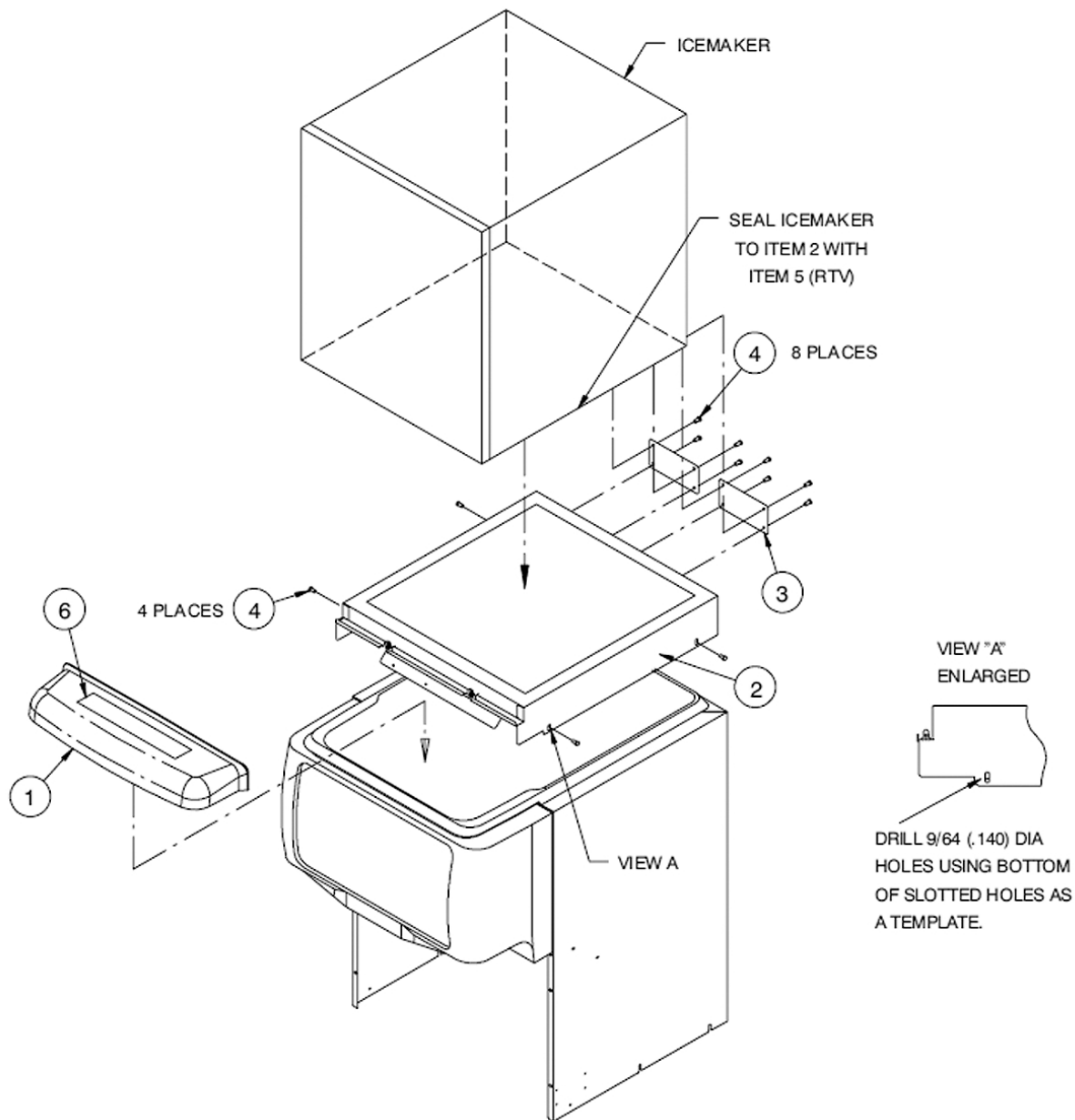


Figure 1. ED2xx Kit

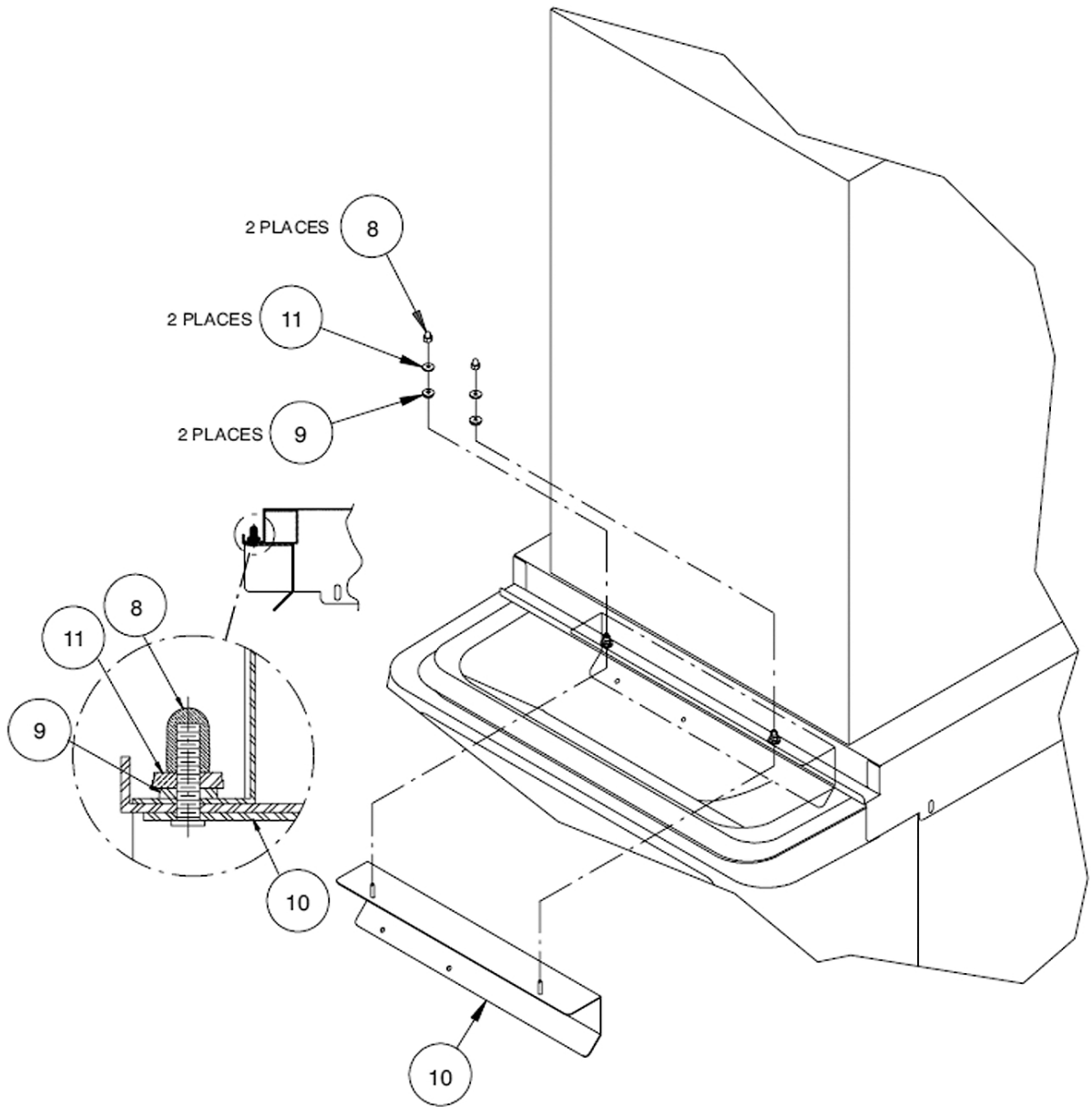


Figure 2. ED2xx Kit

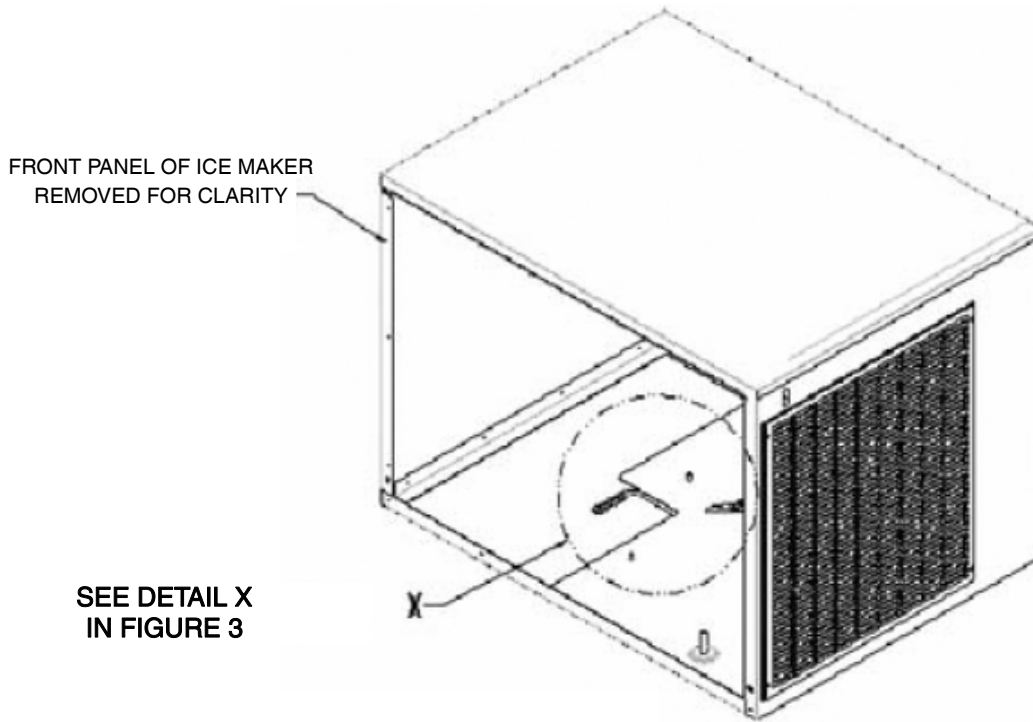


Figure 3. Bin Stat

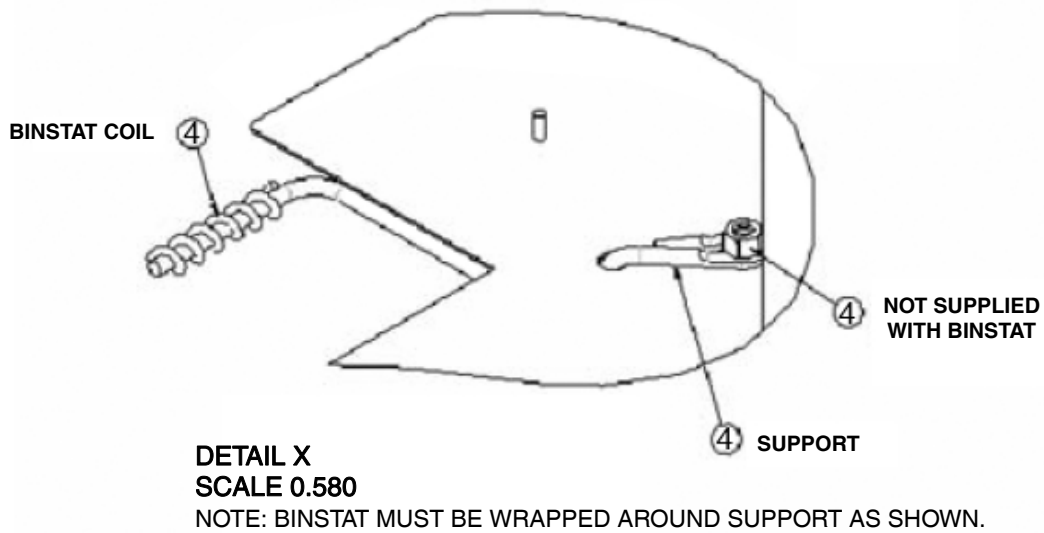


Figure 4. Detail X