



INSTALLATION INSTRUCTIONS

ED2XX ICE MAKER ADAPTER LID KITS (P/N 08006TE, 08010TE)

SAFETY

WARNING:

Before starting installation, read and understand all safety label and warnings on the machine. Also review and understand all safety instructions in the owners, installation and service manuals.

Failure to comply could result in serious injury, death or damage to the equipment.

QUALIFIED SERVICE PERSONNEL

WARNING:

Only trained and certified electrical, plumbing and refrigeration technicians should service this unit.

All wiring and plumbing must conform to national and local codes. Failure to comply could result in serious injury, death or equipment damage.

SAFETY PRECAUTIONS

This unit has been specifically designed to provide protection against personal injury. To ensure continued protection observe the following:

WARNING:

Disconnect power to the unit before servicing. Follow all lock out/tag out procedures established by the user. Verify all power is off to the unit before performing any work.

Failure to comply could result in serious injury, death or damage to the equipment.

CAUTION:

Always be sure to keep area around the unit clean and free of clutter.

Failure to keep this area clean may result in injury or equipment damage.

Table 1. Loose Shipped Parts

Item No.	Part No.	Name	Qty.
1	620200135	Lid & Lanyard assembly Grey - 08010TE	1
	620200133	Lid & Lanyard assembly Black - 08006TE	1
2	15537	Lid Assembly	1
3	29565	Bracket	2
4	70217	#8 Screw	6
5	50904	RTV	1
6	91957	Label	1
7	08006TEINS	Installation Instruction	1
8	620701902	Acorn Nut, 8-32 Nylon	2
9	620701901	Sealing Washer	2
10	620042948	Baffle, Ice DF/ED 2XX	1
11	620701903	#8 Nylon Washer	2
12	620505802	Insulation Strip	1
13	43164	Screw 08-32	2
14	70100	Hex Nut 08-32	2

⚠ WARNING:

All ice baffle plates and bin stats, if included or recommended in this kit, must be installed as directed in this manual or the equipment manufacturer's instructions.

Failure to comply could result in serious injury, death or damage to the equipment.

⚠ WARNING:

All of the attachment screws and plates must be installed as directed in this manual.

Failure to comply could result in serious injury, death or damage to the equipment.

Perform the following procedure to install the lid kit.

1. Unpack kit.
2. Place insulation strip (item 12) over studs on the ice baffle (item 10) and insert ice baffle into the lid assembly (item 2).
3. Place 2 sealing washers (item 9) over studs and 2 flat washers (item 11), then fasten in place with 2 plastic acorn nuts (item 8).
4. Set ice maker lid assembly on the top of the dispenser.
5. Using the slotted holes in the lid as a template, drill four (4) 0.140" diameter (9/64") holes at the bottom of the slots (see detail A). Use extreme care not to drill into the hopper. Fasten the lid assembly to the dispenser with two (2) #8 sheet metal screws (item 4), one on each side.
6. Seal the ice maker to the top of the dispenser as follows:
 - A. Run beads of RTV (item 5) around the opening in the lid assembly and inside of the perimeter of the ice maker outline so that the ice maker will set on the RTV.
 - B. Set the ice maker onto the lid assembly and position it as required.
 - C. Wipe away the excess RTV.
7. Drill 9/64" diameter holes into the ice maker cabinet using the bracket (item 3) as a template. Use extreme care not to drill into any ice maker components (condenser, tubing, etc.). Secure the brackets using four (4) #8 sheet metal screws (item 4).
8. Follow the ice maker manufacturer's instruction to complete the installation of the ice maker including the bin thermostat if so equipped or required.
9. If the plastic acorn nuts interfere with the positioning of the plastic manual fill cover, it may be necessary to make small notches in the back flange of the cover to clear the acorn nuts.

⚠ CAUTION:

Bin Thermostat must not interfere with the agitator rotation.

ED2XX KIT

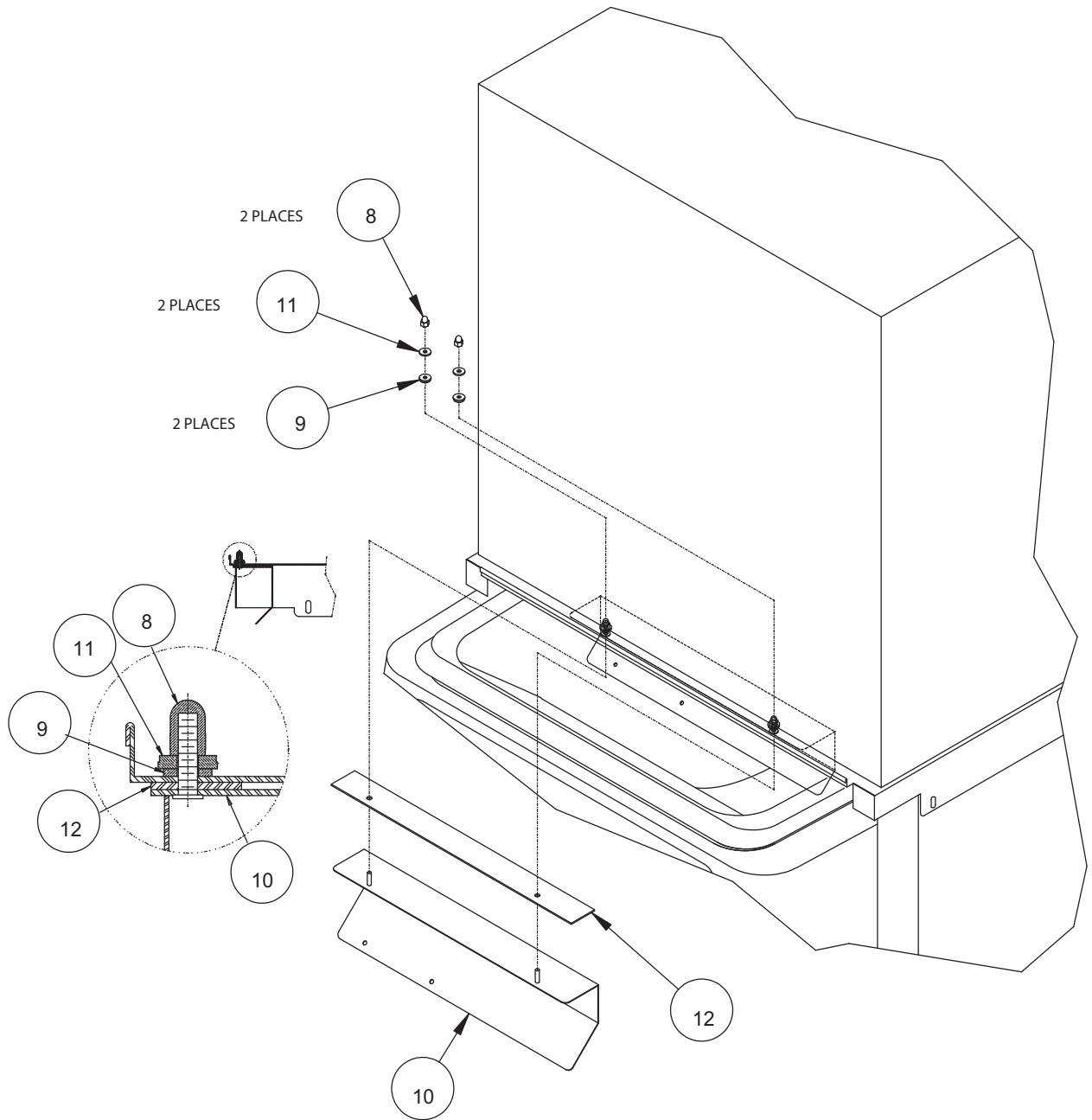


Figure 1.

DISPENSER ASSEMBLY

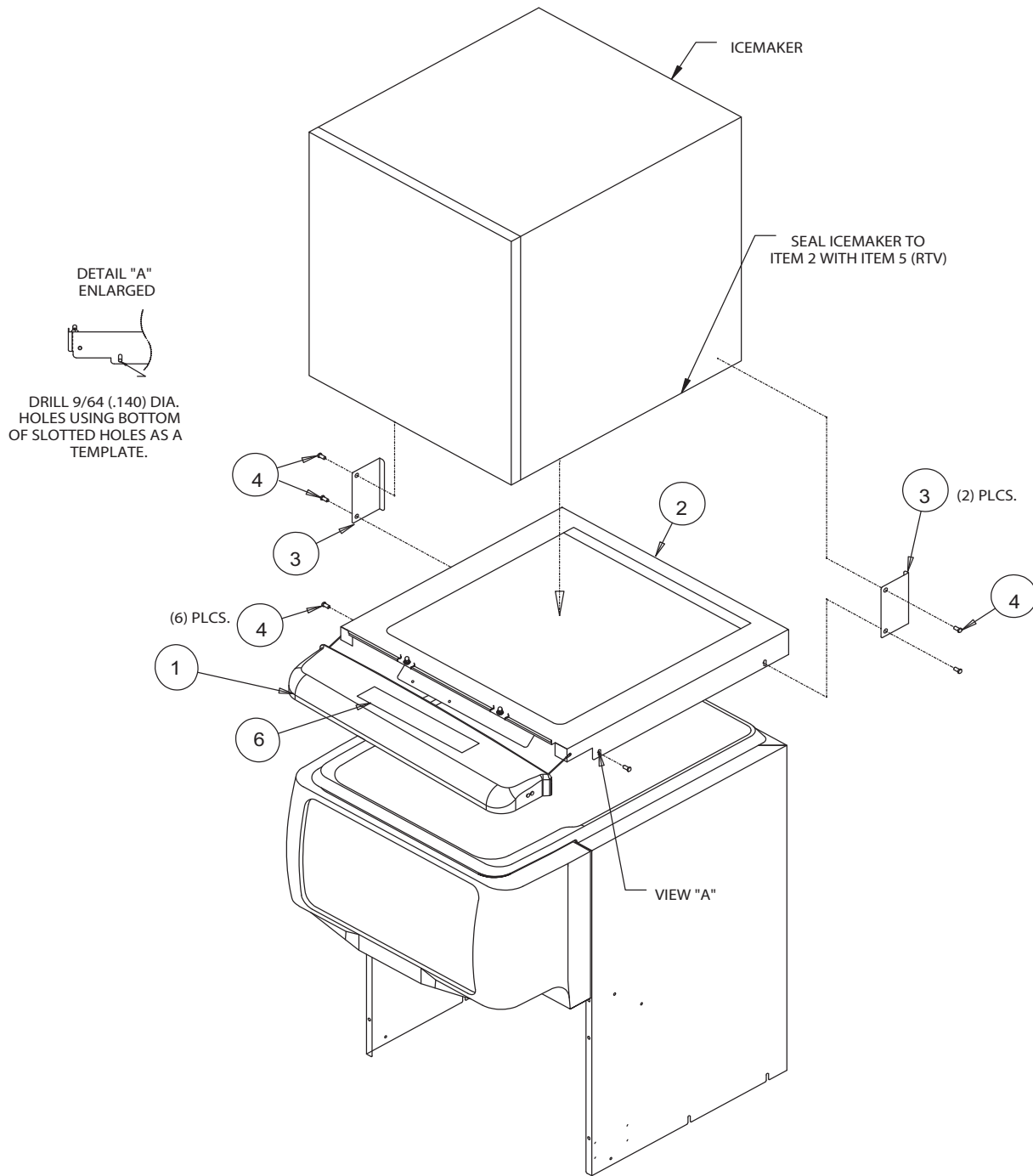


Figure 2.

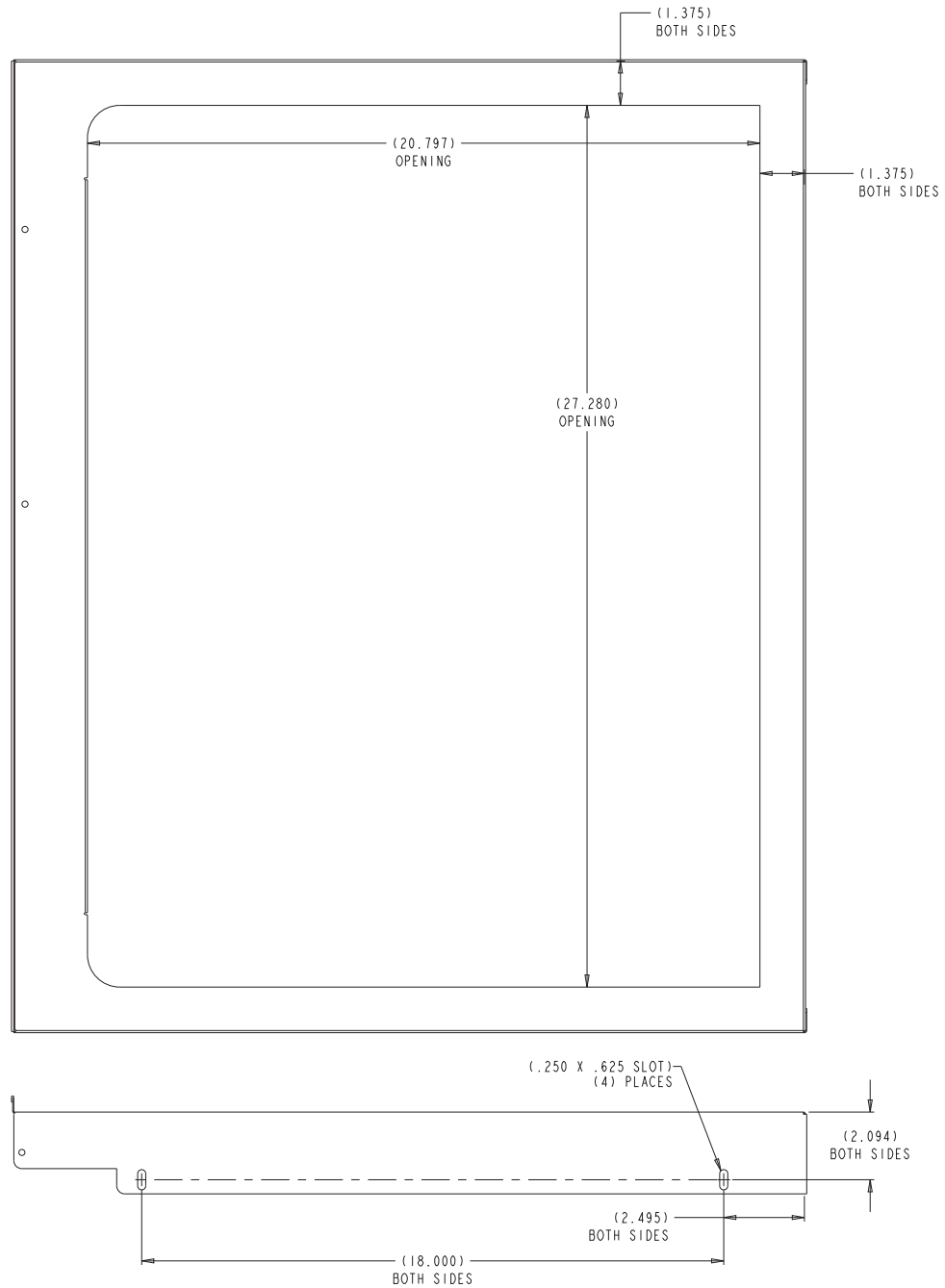


Figure 3. Reference Sheetmetal Cover Opening Dimensions for Mounting Icemaker.