

ED200/250 "K" STYLE LID KITS, P/N 629083101, 629083102

SAFETY INSTRUCTIONS

WARNING:

Before starting installation, read and understand all safety label and warnings on the machine. Also review and understand all safety instructions in the owners, installation and service manuals.

Failure to comply could result in serious injury, death or damage to the equipment.

QUALIFIED SERVICE PERSONNEL

WARNING:

Only trained and certified electrical, plumbing and refrigeration technicians should service this unit.

All wiring and plumbing must conform to national and local codes. Failure to comply could result in serious injury, death or equipment damage.

SAFETY PRECAUTIONS

This unit has been specifically designed to provide protection against personal injury. To ensure continued protection observe the following:

WARNING:

Disconnect power to the unit before servicing. Follow all lock out/tag out procedures established by the user. Verify all power is off to the unit before performing any work.

Failure to comply could result in serious injury, death or damage to the equipment.

CAUTION:

Always be sure to keep area around the unit clean and free of clutter.

Failure to keep this area clean may result in injury or equipment damage.

PROCEDURE

WARNING:

Disconnect power to the unit before servicing. Follow all lock out/tag out procedures established by the user. Verify all power is off to the unit before performing any work.

Failure to comply could result in serious injury, death or damage to the equipment.

These "K" Style Kits Apply To The Following Ice Makers:

Ice Maker	Width
Manitowoc: Q450/200/600/800/1000	30 in.
S300/S500/S850/S1000	

Item No.	Part No.	Name	Qty.
1	53003	Cover, Gray – 629083102	1
	52969	Cover, Black – 629083101	1
2	620027305	QFD 200/250 Ice Maker Lid Assembly	1
3	620027306	Bracket	2
4	70217	#8 Screw	6
5	50904	RTV	1
6	90221	Label	1
7	620909201INS	Installation Instruction	1
8	620701902	Acorn Nut, 8-32 Nylon	2
9	620701901	Sealing Washer	2
10	620037003	Baffle, Ice ED2XX	1
11	621701903	#8 Nylon Washer	2

1. Unpack the kit.
2. Insert the baffle assembly into the adapter kit.
3. Place two (2) sealing washers (item 9) over the studs and two (2) flat washers (item 11), then fasten in place with two (2) plastic acorn nuts (item 8).
4. Set the ice maker lid on the top of the dispenser.
5. Using the slotted holes in the lid as a template, drill four (4) .140 in. diameter (9/64 in.) holes at the bottom of the slots (see detail A). Use extreme care not to drill into the hopper. Fasten the lid to the dispenser with four (4) #8 sheet metal screws, two on each side.
6. Seal the ice maker to the top of the dispenser as follows:
 - A. Run beads of RTV around the opening in the lid and inside of the perimeter of the ice maker outline so that the ice maker will set on the RTV.
 - B. Set the ice maker onto the lid and position it as required.
 - C. Wipe away the excess RTV.
7. Drill 9/64 in. diameter holes into the ice maker cabinet using the bracket as a template. Use extreme care not to drill into any ice maker components (condenser, tubing, etc.). Secure the brackets using the screws provided.
8. Follow the ice maker manufacturers instruction to complete the installation of the ice maker including the bin thermostat if so equipped or required.
9. If the plastic acorn nuts interfere with the positioning of the plastic manual fill cover, it may be necessary to make small notches in the back flange of the cover to clear the acorn nuts.

NOTE: Bin Thermostat must not interfere with the agitator rotation.

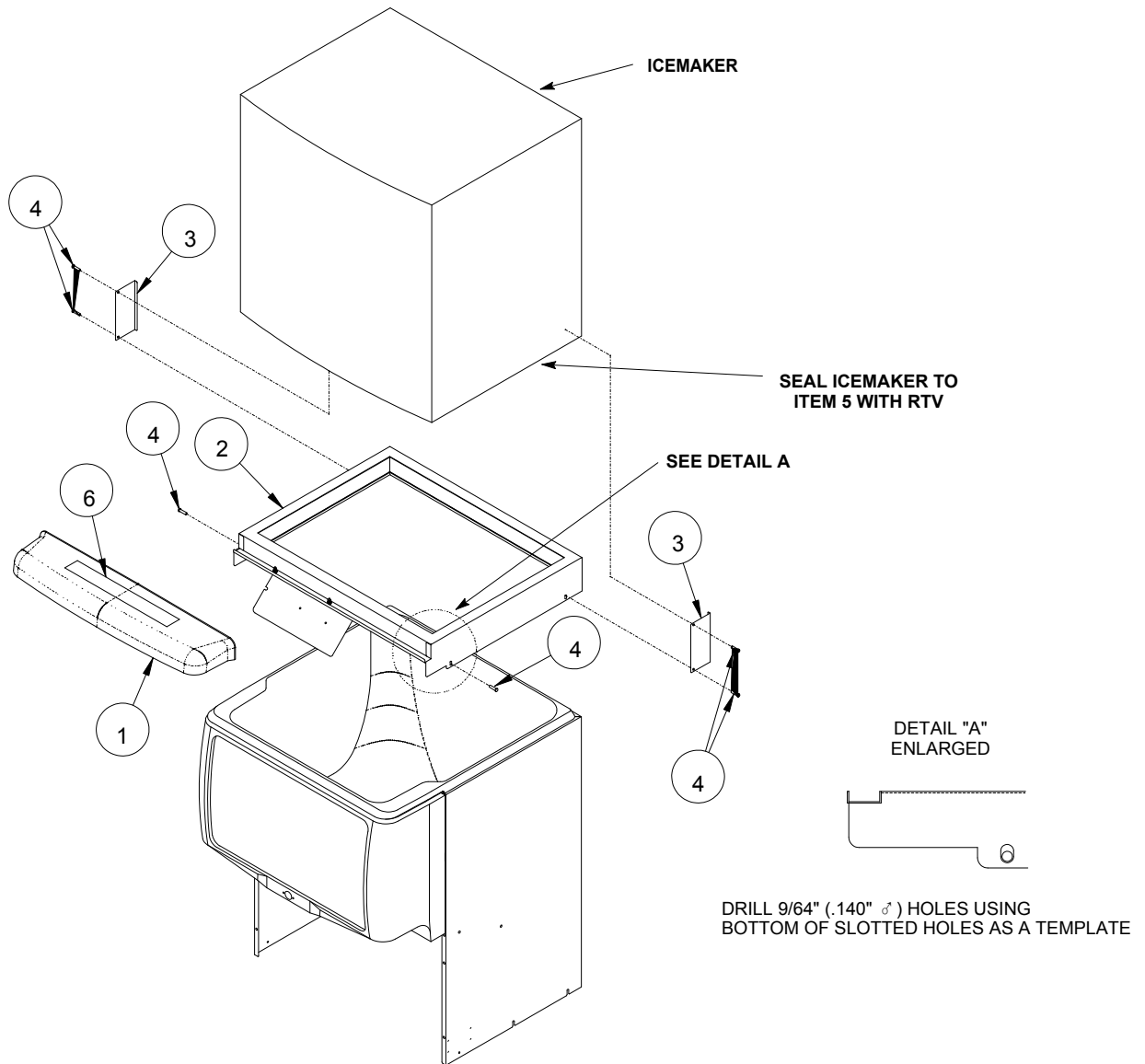


Figure 1. Dispenser Assembly

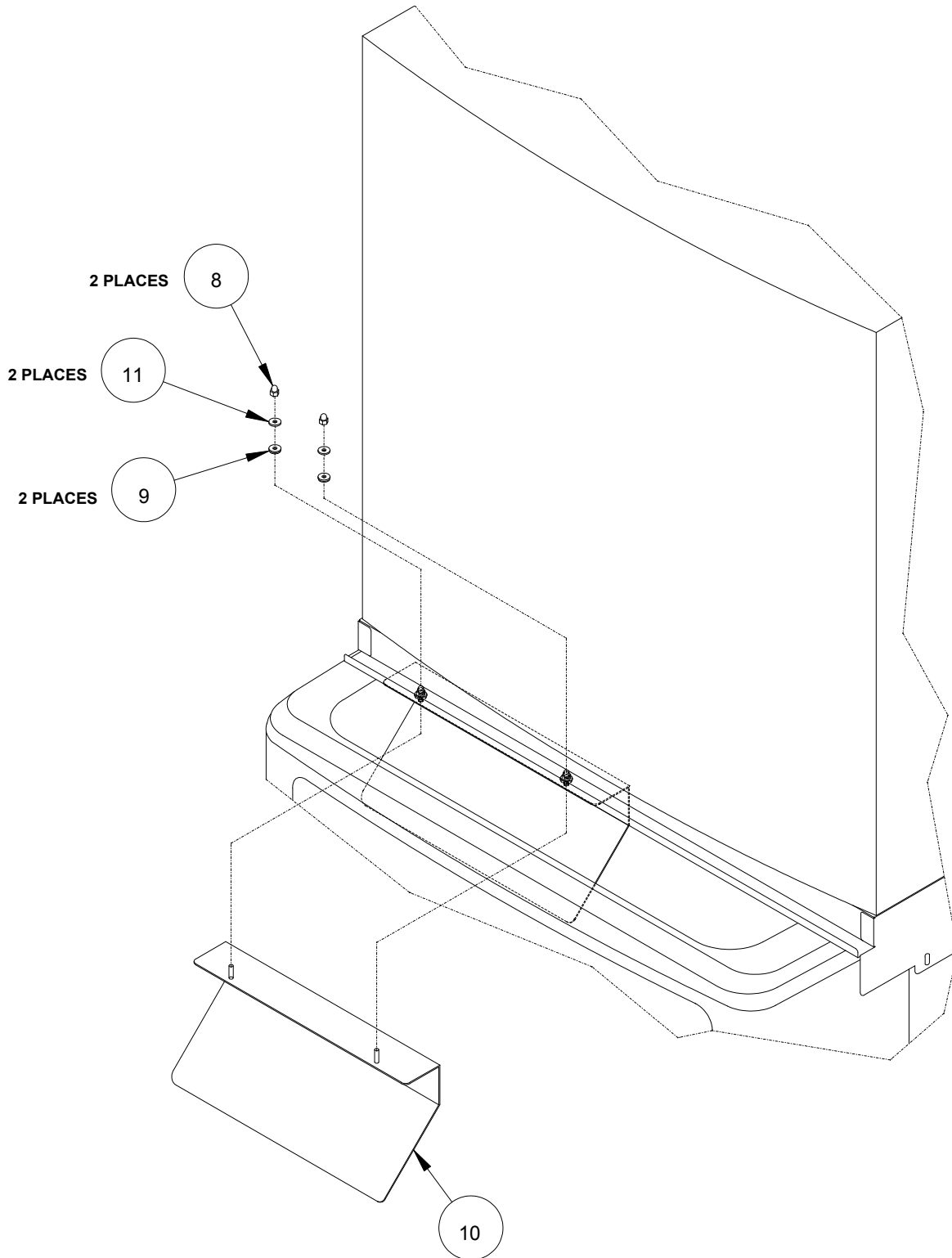


Figure 2. ED2XX kit

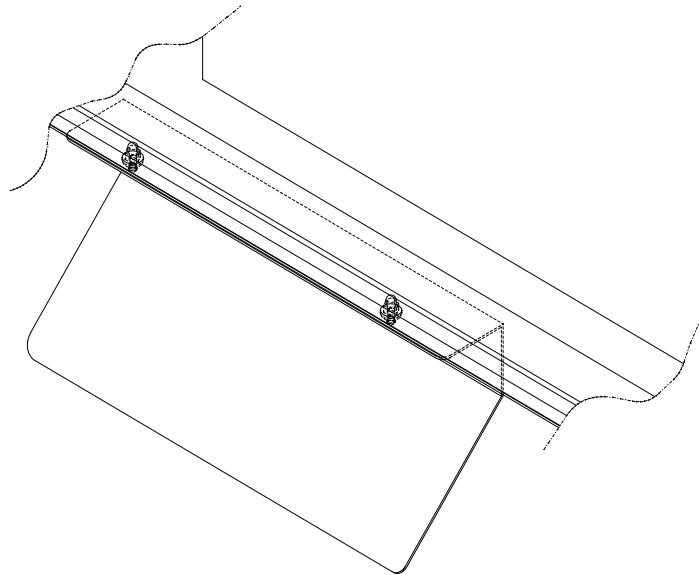
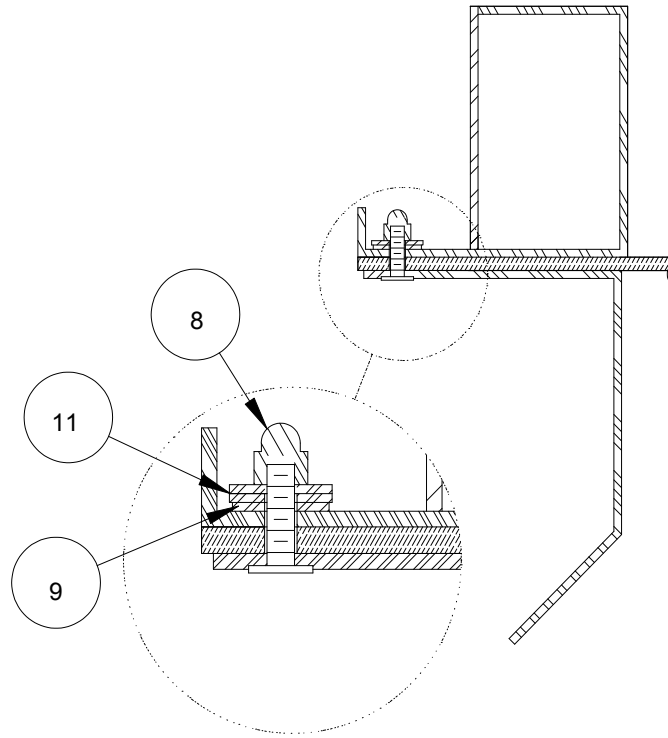


Figure 3. ED2XX Kit