

INSTALLATION INSTRUCTIONS

IDC Icemaker Adaptor Kit for P/N 629097310

SAFETY

**WARNING:**

Before starting installation, read and understand all safety label and warnings on the machine. Also review and understand all safety instructions in the owners, installation and service manuals.

Failure to comply could result in serious injury, death or damage to the equipment.

QUALIFIED SERVICE PERSONNEL

**WARNING:**

Only trained and certified electrical, plumbing and refrigeration technicians should service this unit.

All wiring and plumbing must conform to national and local codes. Failure to comply could result in serious injury, death or equipment damage.

SAFETY PRECAUTIONS

This unit has been specifically designed to provide protection against personal injury. To ensure continued protection observe the following:

**WARNING:**

Disconnect power to the unit before servicing. Follow all lock out/tag out procedures established by the user. Verify all power is off to the unit before performing any work.

Failure to comply could result in serious injury, death or damage to the equipment.

**CAUTION:**

Always be sure to keep area around the unit clean and free of clutter.

Failure to keep this area clean may result in injury or equipment damage.

INSTALLATION INSTRUCTIONS

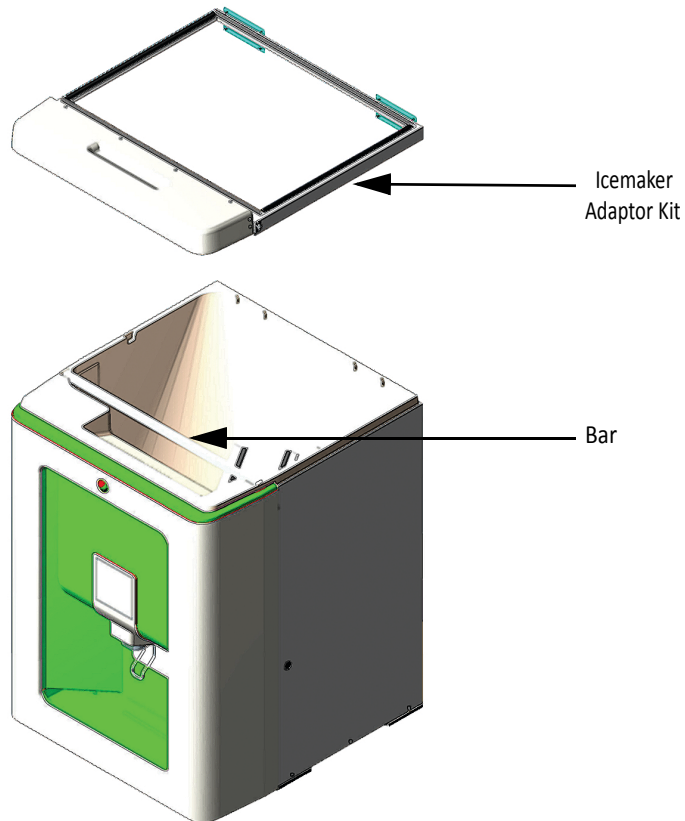


Figure 1.



WARNING:

All of the attachment screws and plates must be installed as directed in this manual. **Failure to comply could result in serious injury, Death or Damage to the equipment.**

1. First step is to position and secure the kit to the dispensing unit. Whenever possible, this should be done prior to lifting the dispenser onto the counter to allow sufficient access and also provide easier and faster installation.

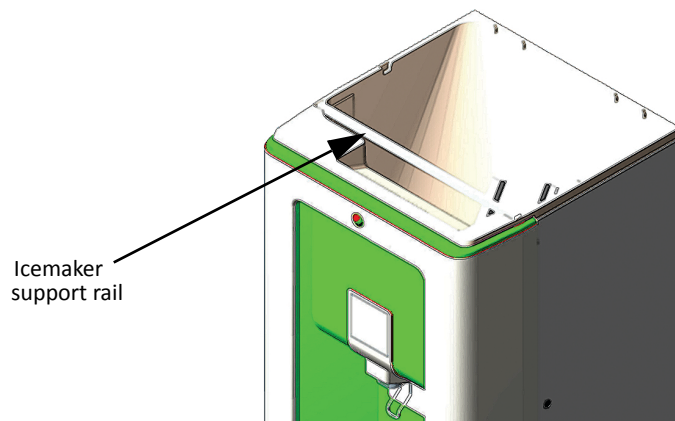


Figure 2.

2. Place icemaker support rail into the front set of pockets in the ice bin as shown in Figure 2.
3. Place bar into first set of pockets inside the ice bin.
4. Place the icemaker adaptor kit on top of unit.

5. Place the icemaker on top of kit. **DO NOT** slide icemaker into position on the lid.
6. Apply a continuous bead of NSF International (NSF) listed silastic sealant (Dow 732 or equivalent), supplied in kit to seal the icemaker to the top of the adapter kit. All excess sealant must be wiped away immediately.
7. The next step is to secure the icemaker to the kit. Use the brackets (supplied) as templates to drill four 9/64" (.140"Dia.) holes into the adapter kit (2 per side). When drilling holes, the maximum distance from the back of the kit is 7.50 inches (refer to Figure 3.) Failure to comply will result in damage to the sliding arm mechanisms internal to the kit. Drill four holes of the same diameter into the icemaker (2 per side). Ensure the location of the brackets will not damage the kit or the icemaker prior to drilling any holes. **USE EXTREME CAUTION NOT TO DRILL INTO ANY OTHER COMPONENTS.** Drill depths should not go further than the thickness of the material being drilled (just enough to go through). Secure the two brackets using the screws provided.

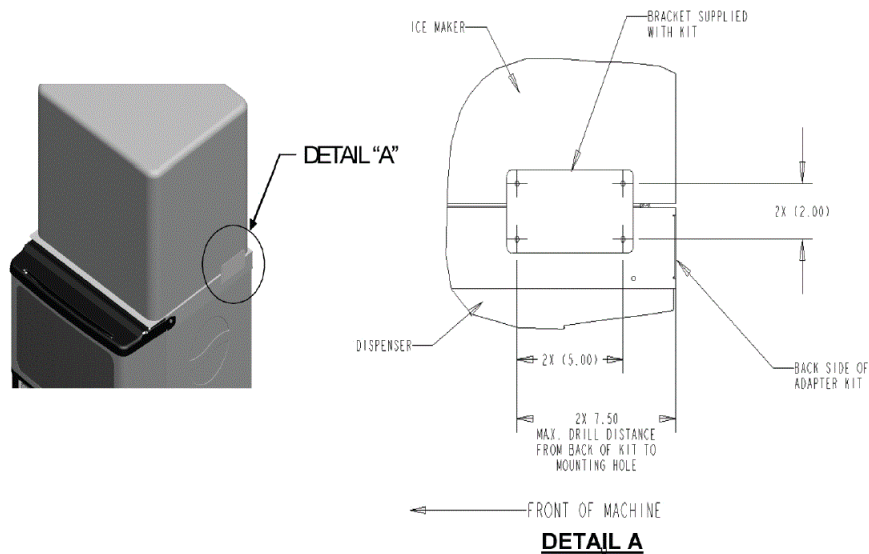


Figure 3.

Installation is complete. For optimal performance, **DO NOT** fill ice bin to more than 2/3 of capacity. Recommended maximum fill height is four (4) inches from the tip of the bin.