



INSTALLATION INSTRUCTIONS

FOR ICE MAKER ADAPTER KIT P/N 629083807

This kit is for the following units:

Table 1. Applicable Models

Dispenser Models	Ice Maker Models
ED200/250	HOSHIZAKI KM800/1200/1600

Table 2. Loose Shipped Parts

Item No.	Part No.	Name	Qty.
1	620028307	Lid Assembly	1
2	620028304	Manual Ice Fill Cover	1
3	15303	Bracket, Ice maker Mounting	2
4	620701601	#10 x 1/2" Sheet metal Screw	6
5	70188	#8-32 x 1/2" Thumbscrew	1
6	50904	RTV - 3 Oz. Tube	1
7	620028305	Bracket, Bin Thermostat	1
8	70164	#8-32 x 3/4" Truss-Head Screw	2
9	70100	#8-32 Nut, Nylok	2
10	91957	Label, "Disconnect Power Before Cleaning"	1
11	620910901	Installation Instructions	1

⚠ WARNING:

Disconnect power to the unit before installing the adaptor following all lockout/tag out procedures established by the user. Verify that all the power is off to the unit before performing any work.

Failure to comply could result in serious injury, death or damage to the equipment.

⚠ WARNING:

All ice baffle plates and bin stats, if included or recommended in this kit, must be installed as directed in this manual or the equipment manufacturer's instructions.

Failure to comply could result in serious injury, death or damage to the equipment.

⚠ WARNING:

All of the attachment screws and plates must be installed as directed in this manual.

Failure to comply could result in serious injury, death or damage to the equipment.

Perform the following procedure to install the adapter kit.

- Position the ice maker adapter lid on the dispenser, flush with the rear of the cabinet as shown in Figure 1.
- Using the slotted holes in the adapter lid as a template, drill (4) 0.147" diameter holes (#26 drill) at the bottom of the slots into the dispenser cabinet (see Detail A, Figure 1). **Use extreme care not to drill into the ice storage bin.** Secure the lid to the dispenser with (4) #10 sheet metal screws.
- Seal the ice maker to the top of the dispenser lid as follows:
 - Locate the ice maker flush with the rear of the lid. Run a bead of RTV inside the perimeter of the ice maker base outline on the lid so that the ice maker sets on the RTV.
 - Set the ice maker onto the lid. Note, if installing the ice maker from the front of the dispenser, use a piece of 3/4" PVC pipe or larger as a "roller" to slide the ice maker over the front "drip" flange of the dispenser lid.



- C. Wipe away any excess RTV.
- 4. Install the ice maker mounting brackets (2) as shown in Figure 1 by first removing the (2) rear screws from the dispenser lid. Use those screws to mount the brackets to the lid. Next using the brackets as template, drill 0.147" diameter holes into the ice maker cabinet. **Use extreme caution not to drill into any ice maker components (condenser, tubing, etc.).** Secure the brackets to the ice maker cabinet with the #10 sheet metal screws provided in the kit.
- 5. Follow the ice maker manufacturer's instructions to complete the installation of the ice maker.
- 6. **IMPORTANT: THE BIN THERMOSTAT BRACKET (ITEM 7 - See Figure 2) MUST BE INSTALLED IN ORDER TO PREVENT OVERFILLING THE ICE STORAGE BIN.**
 - A. Remove the ice maker front panel.
 - B. Locate the bin thermostat on the lower right side wall of the ice drop area and remove the (2) thumbscrews that hold the bin t'stat in place.
 - C. Mount the bin t'stat to the bracket (item 7) provided with the kit as shown in Figure 2.
 - D. Using the thumbscrews from Step B, secure the "kit" bracket/bin t'stat assembly from Step C to the same ice drop area position. The purpose of the "kit" bracket is to lower the bin t'stat for proper filling of the ice storage bin.
 - E. Replace the ice maker front panel.
- 7. Install the caution label (item 10) on the manual fill cover (Item 2) and secure the cover to the adapter lid with the #8-32 thumbscrew.
- 8. The ice maker/dispenser is ready for operation.

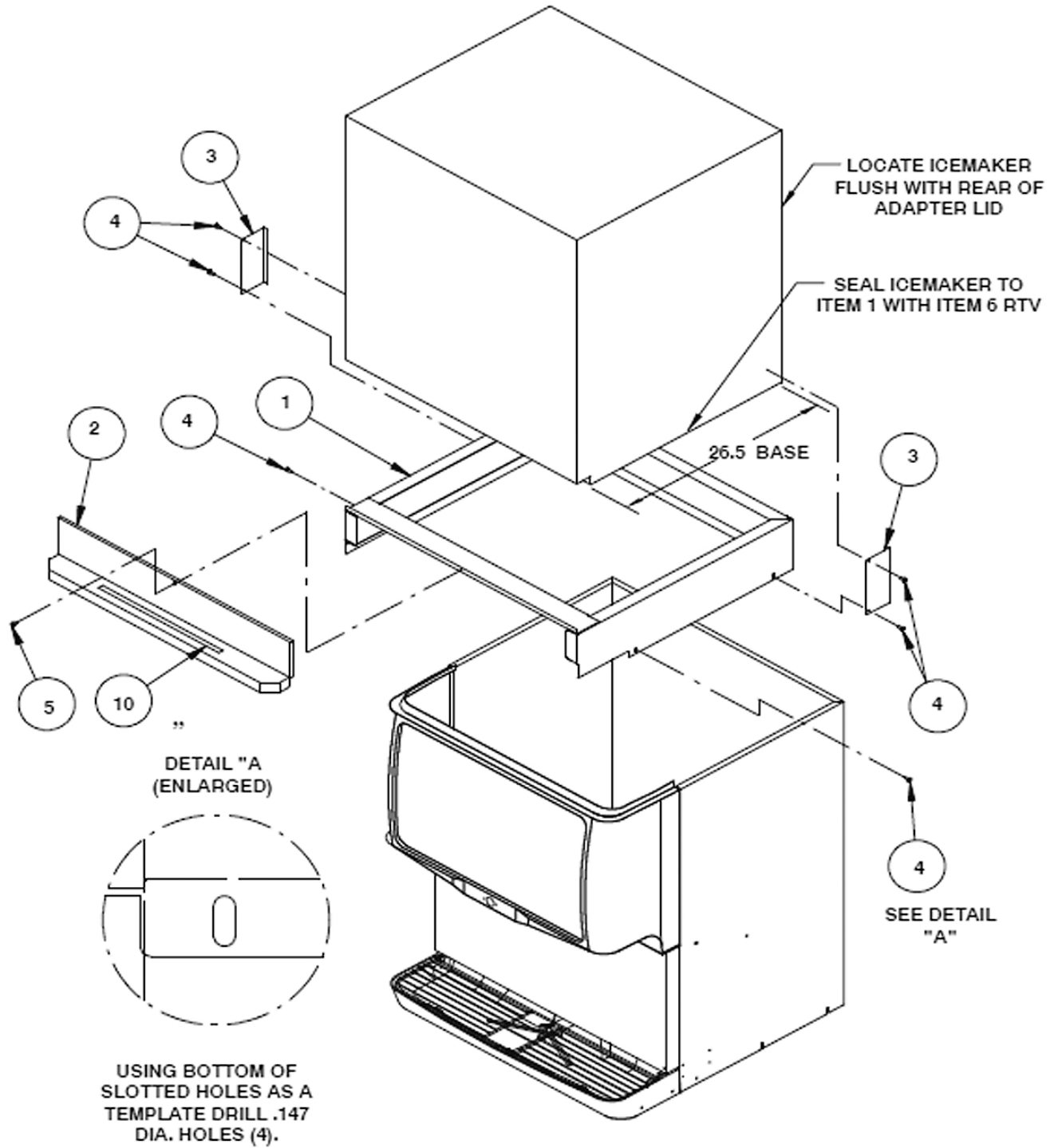


Figure 1.

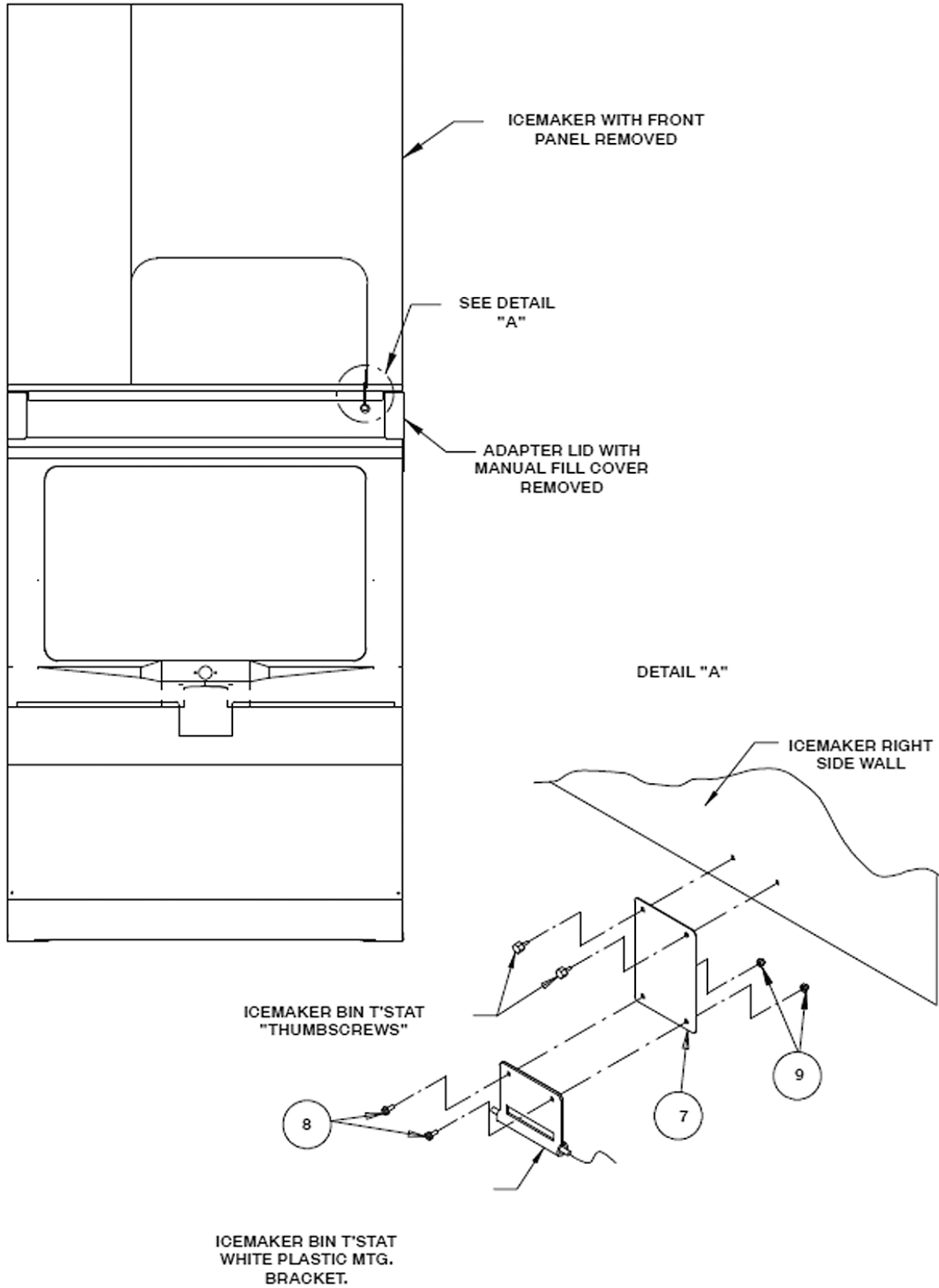


Figure 2.