

INSTALLATION INSTRUCTIONS

Model ED175/200 Conversion Kit

SAFETY INSTRUCTIONS

 **WARNING:**

Before starting installation, read and understand all safety label and warnings on the machine. Also review and understand all safety instructions in the owners, installation and service manuals.

Failure to comply could result in serious injury, death or damage to the equipment.

QUALIFIED SERVICE PERSONNEL

 **WARNING:**

Only trained and certified electrical, plumbing and refrigeration technicians should service this unit.

All wiring and plumbing must conform to national and local codes. Failure to comply could result in serious injury, death or equipment damage.

SAFETY PRECAUTIONS

This unit has been specifically designed to provide protection against personal injury. To ensure continued protection observe the following:

 **WARNING:**

Disconnect power to the unit before servicing. Follow all lock out/tag out procedures established by the user. Verify all power is off to the unit before performing any work.

Failure to comply could result in serious injury, death or damage to the equipment.

 **CAUTION:**

Always be sure to keep area around the unit clean and free of clutter.

Failure to keep this area clean may result in injury or equipment damage.

From Lid & Straw Holder to Lighted Pepsi Merchandiser

Table 1:

Item No	Dispenser Kit Part Number	ED175 629088355	ED200 629088317	Qty.
1	Merchandiser / Graphics Assembly	620044209	620519206	1
2	Bulb	31622	31928	1
3	Installation Instructions	629088317INS	629088317INS	1

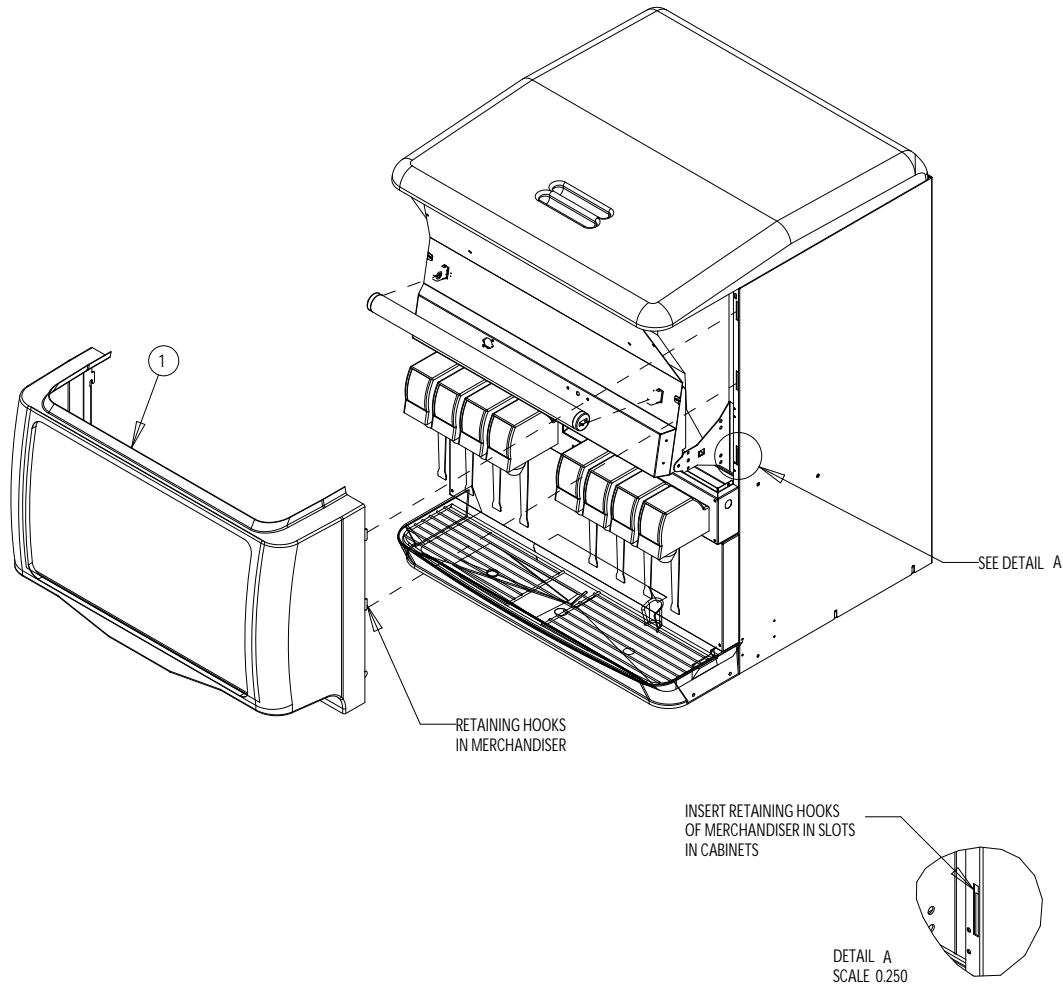


Figure 1.

⚠ WARNING:

Disconnect power to the unit before servicing. Follow all lock out/tag out procedures established by the user. Verify all power is off to the unit before performing any work.

Failure to comply could result in serious injury, death or damage to the equipment.

Perform the following procedure:

1. Remove plastic hopper lid.
2. Remove lid and straw holder (3 screws) from upper front panel. Save the holder if required; otherwise discard.
3. To remove the stainless steel upper front panel, push up on the bottom left and right sides to disengage the panel retaining hooks from the cabinet slots. Rotate the panel forward to clear the hopper flange and lift off. Discard this panel.
4. Install the bulb in the (2) holders located on the white reflector panel that is now exposed after removal of the front panel in Step 3.
5. Install the black plastic merchandiser with graphics to the cabinet by reversing the process described in step 3. Make certain the merchandiser hooks are fully seated in the cabinet slots. The bottom of the merchandiser will contact the top of the beverage panel with no gaps when the merchandiser is installed properly.
6. Replace the hopper lid and connect electrical power to the dispenser.



CAUTION:

Automatic agitation occurs immediately upon electrical power hook-up. Do not place fingers, foreign objects, etc. in the path of the rotating agitator.

7. Check that the graphics panel is illuminated and the dispenser operates properly. The unit is ready for operation.