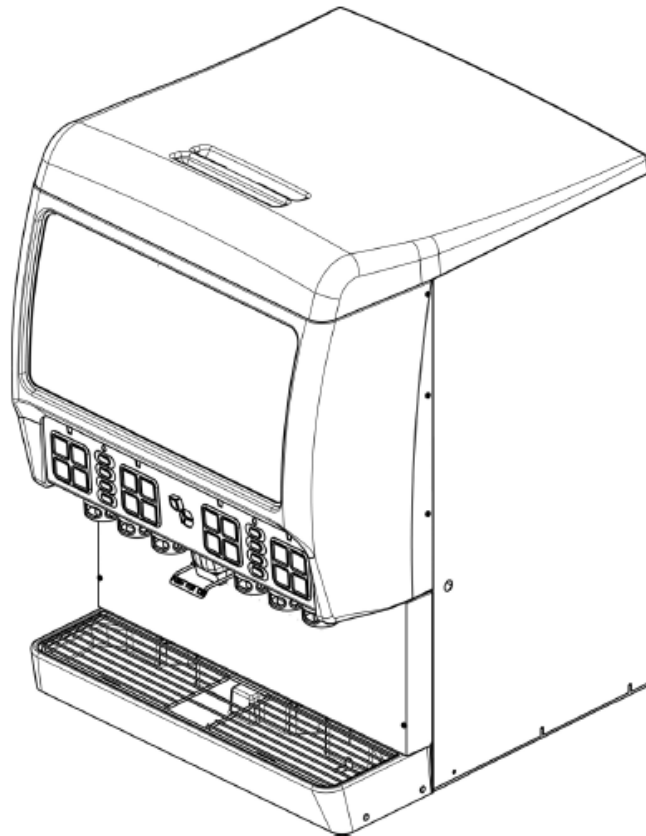




FLAVORFUSION WITH COLD CARBONATION

Illustrated Parts List



Release Date: February 20, 2012
Publication Number: 620055764IPL
Revision Date: June 1, 2023
Revision: F



**Marmon Foodservice
Technologies**

A Berkshire Hathaway Company

Visit the Cornelius web site at www.cornelius.com for all your Literature need.

The products, technical information, and instructions contained in this manual are subject to change without notice. These instructions are not intended to cover all details or variations of the equipment, nor to provide for every possible contingency in the installation, operation or maintenance of this equipment. This manual assumes that the person(s) working on the equipment have been trained and are skilled in working with electrical, plumbing, pneumatic, and mechanical equipment. It is assumed that appropriate safety precautions are taken and that all local safety and construction requirements are being met, in addition to the information contained in this manual.

This Product is warranted only as provided in Cornelius' Commercial Warranty applicable to this Product and is subject to all of the restrictions and limitations contained in the Commercial Warranty.

Cornelius will not be responsible for any repair, replacement or other service required by or loss or damage resulting from any of the following occurrences, including but not limited to, (1) other than normal and proper use and normal service conditions with respect to the Product, (2) improper voltage, (3) inadequate wiring, (4) abuse, (5) accident, (6) alteration, (7) misuse, (8) neglect, (9) unauthorized repair or the failure to utilize suitably qualified and trained persons to perform service and/or repair of the Product, (10) improper cleaning, (11) failure to follow installation, operating, cleaning or maintenance instructions, (12) use of "non-authorized" parts (i.e., parts that are not 100% compatible with the Product) which use voids the entire warranty, (13) Product parts in contact with water or the product dispensed which are adversely impacted by changes in liquid scale or chemical composition.

Contact Information:

To inquire about current revisions of this and other documentation or for assistance with any Cornelius product contact:

www.marmonfoodservice.com

www.cornelius.com

800-238-3600

Trademarks and Copyrights:

This document contains proprietary information and it may not be reproduced in any way without permission from Cornelius.

This document contains the original instructions for the unit described.

MARMON FOODSERVICE TECHNOLOGIES INC

355 Kehoe Blvd

Carol Stream, IL

Tel: + 1 800-238-3600

Printed in U.S.A.

EQUIPMENT REGISTRATION



Thank you for purchasing your equipment from the Marmon Foodservice Technologies family of brands. From technical support to warranty dispatch to replacement parts sales, Marmon Link provides your entire after-sales support for Cornelius, Prince Castle, Silver King, and Angelo Po America equipment.

Registering your equipment will help us keep you up to date on equipment information, preventative maintenance resources, and other topics. Your equipment's warranty will not be affected if you choose to not fill out this form.

To expedite the process, we ask that you have the following:

- The serial numbers of the equipment you purchased.
- The name and email address for a designed store contact.
- The general store information, including address location number.

REGISTER YOUR EQUIPMENT

To Maximize Your Benefits

- Comprehensive after-sales service
- Over the phone technicians
- Quick-ship parts

Complete with:

- Serial Number
- Equipment location details



Your equipment serial number will be validated against our database of existing serial numbers. If you are having difficulties entering a valid number, please contact Marmon Link at **1-866-275-6392**.

TABLE OF CONTENTS

Cladding Components and Overall Assembly	1
Electrical Box Assembly Detail-Flourescent	3
Electrical Box Assembly Detail-LED	4
Ice Dispensing Assembly Detail	5
Beverage Dispensing Assembly Detail	6
Keypad Assembly Detail	7
Carbonator Tank Assembly Detail	8
Carbonator Tank Assembly Detail	9
Pump and Motor Assembly Detail	10

CLADDING COMPONENTS AND OVERALL ASSEMBLY

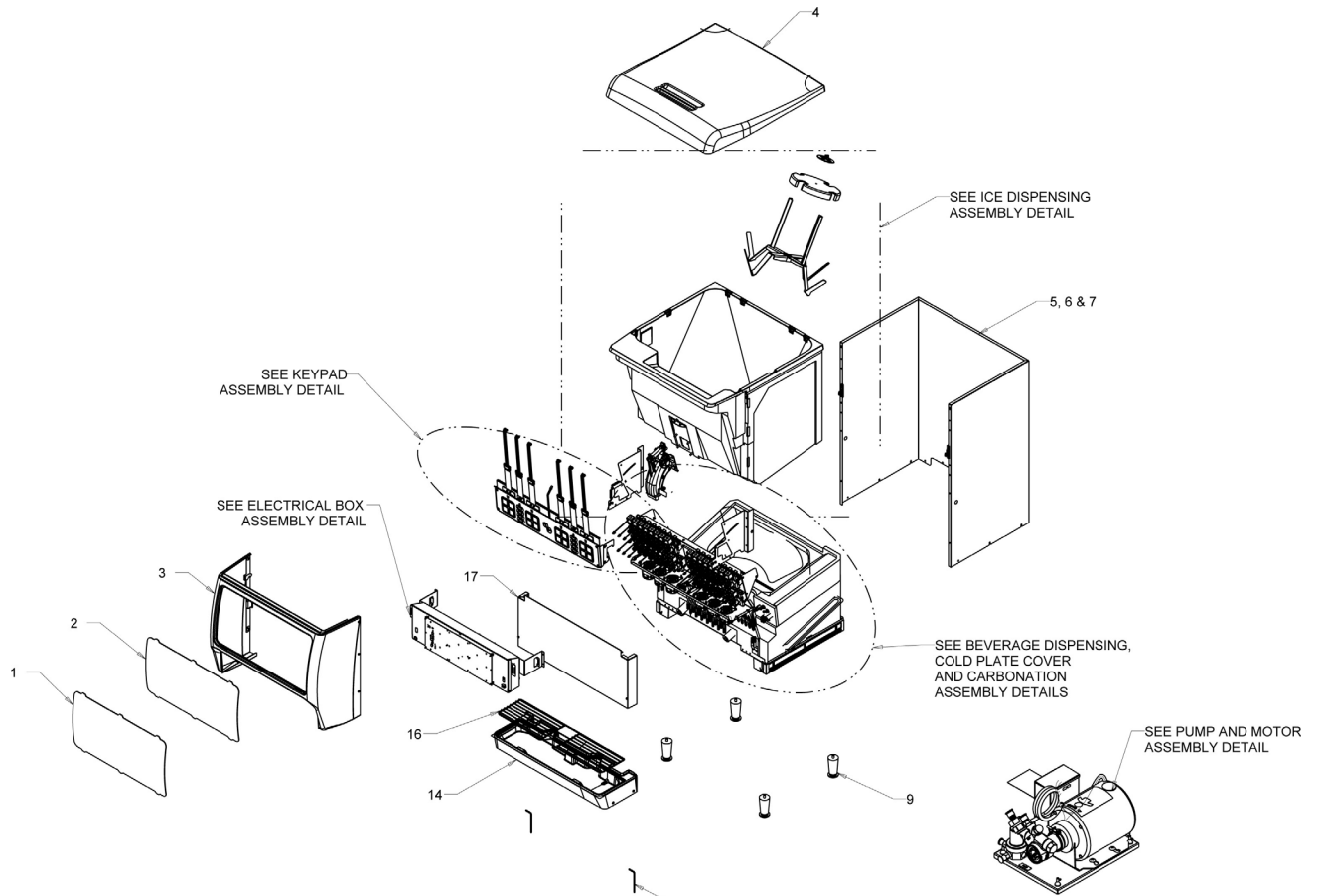


Figure 1.



Item No.	Part No.	Name
1	620920085	Merchandiser Graphic (Generic)
	620921021	No Bonus Graphic
2	620518216	Merchandiser Lens
3	620054783	Merchandiser Asy (Black)
	* 620058350	Merchndsr Asy Black FF
	620054784	Merchandiser Asy (Green)
	* 620058523	Merchndsr Asy Green FF
	620054781	Merchandiser Asy (Silver)
	620054782	Merchandiser Asy (Orange)
4	620517088	Lid (Black)
	620517089	Lid (Green)
	620517086	Lid (Orange)
	620517087	Lid (Silver)
5	* 51908	Mounting Hole Plug
6	33300	Keyswitch Asy (Keys Included)
	2007	Replacement Key Only
7	620054790	Wrap Flavor Fusion
8	* 620516645	Coldplate Access Cover
9	70970	4" Adjustable Legs, 3/8"-16 Black Plastic With Nickle Plated Foot
10	* 53011	Rubber Elbow Fitting For Cold Plate Drain

11	* 169225016	Armaflex Insulation 1-3/8" IDx 3/8" Wall
12	* 1044267	Clear Vinyl Tubing 1" ID X 1/8" Wall
13	* 70750	Hose Clamp
14	620521112	Drip Tray Asy (Black)
	620046272	Drip Tray Asy (Green)
	620046273	Drip Tray Asy (Orange)
	620046274	Drip Tray Asy (Silver)
15	10145	Drip Tray Mounting Pin
16	620708534	Cup Rest
17	620055148	Splash Panel (Drip Tray)
	620055695	Splash Panel ("Z" Style)
18	* 620055259	Plumbing Label Diagram
19	* 620716108	Keypad Asy (Generic)
	* 620052950	Keypad Asy (No Bonus)
20	620408124	Pump And Motor Assembly
21	* 620921337	Generic Decal Set
22	620043354	Cold Plate Cover Assembly

Note:
* NOT SHOWN

ELECTRICAL BOX ASSEMBLY DETAIL - FLOURESCENT

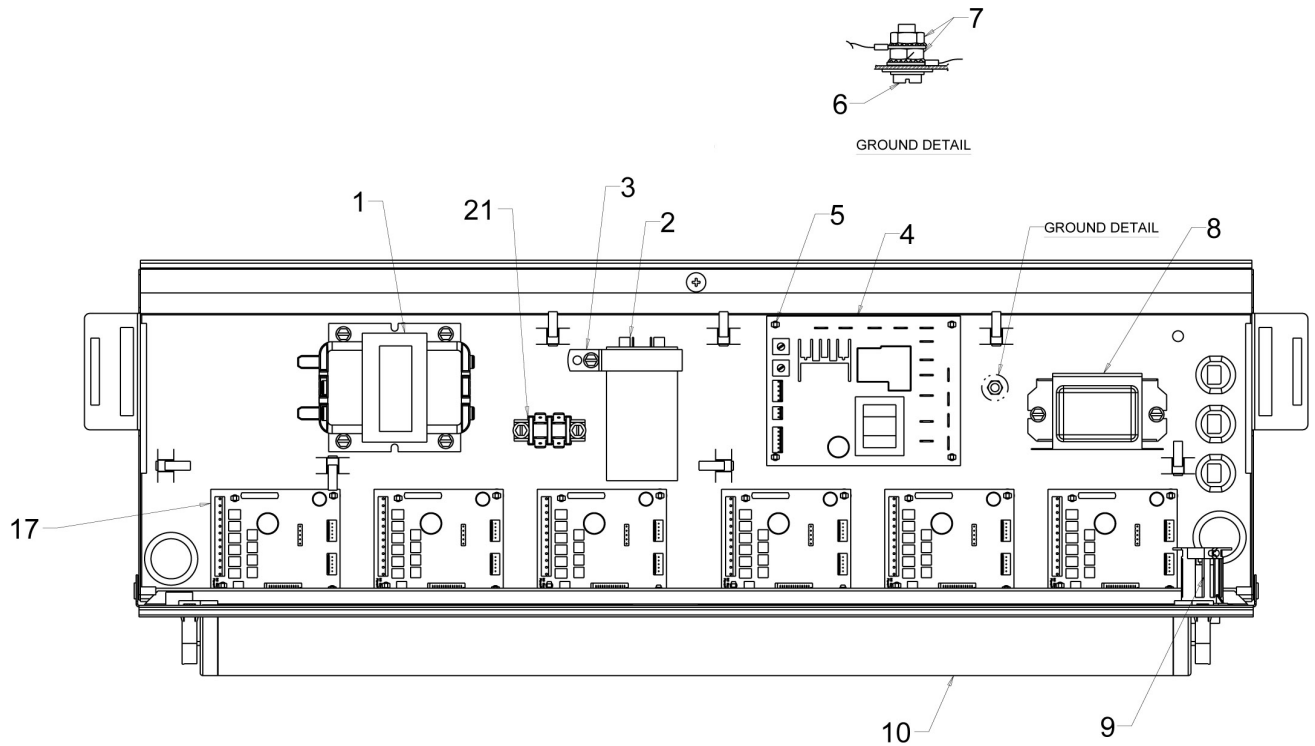


Figure 2.

Item No.	Part No.	Name
1	620047655	Transformer
2	560002379	Capacitor
3	620717212	Capacitor Mount
4	620314825-100	Main Electrical Board (W/Jumper)
	620062577	Interlock Jumper
5	325925000	Electrical Board Support
6	70120	Machine Screw, #10-32, Ground
7	70015	Hex Nut, 10-32 Keps
8	31621	Ballast
9	31620	Starter
10	31928	Fluorescent Bulb 23"
11	* 30794	Agitator Motor Heater
12	* 620316445	Agitator Motor Harness
13	* 620316456	Carb Pump And Motor Harness

14	* 30995	Power Cord
15	* 620316455	Liquid Level Control Harness
16	* 620316457	Ice Chute Position Sensor Harness
17	620314824	Electrical Interface Board
18	* 620316487	Interface Harness
	620317468	Interface Harness (No Bonus)
19	* 620316288	Main Board To Interface Board Synchronization Harness
20	* 620316444	Solenoid Valve Harness
21	* 620055260	Wiring Diagram Label
22	* 187876000	Terminal Block

Notes:

* NOT SHOWN

SEE WIRING DIAGRAM FOR CONNECTION DETAILS.

ELECTRICAL BOX ASSEMBLY DETAIL-LED

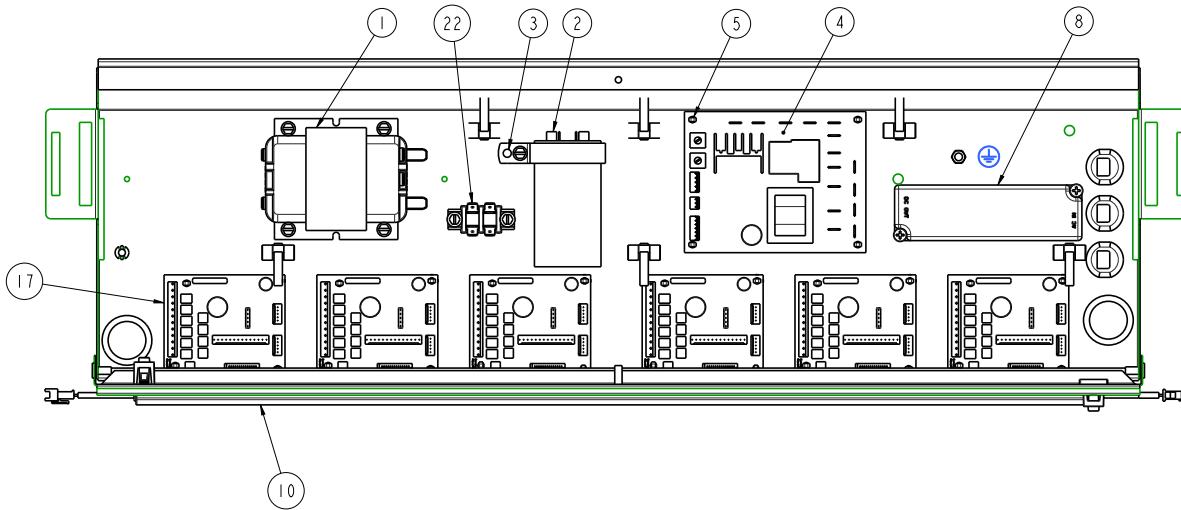


Figure 3.

Item No.	Part No.	Description
1.	620047655	Transformer
2.	560002379	Capacitor
3.	620717212	Capacitor Mount
4.	620314825-100	Main Electrical Board (W/Jumper)
	620062577	Interlock jumper
5.	325925000	Electrical Board Support
6.	70120	Machine Screw, #10-32, Ground
7.	70015	Hex Nut, 10-32 Keps
8.	620057649-018	LED Driver
10.	620064030-001	LED Tube
11.	* 30794	Agitator Motor Heater
12.	* 620316445	Agitator Motor Harness
13.	* 620316456	Carb Pump And Motor Harness
14.	30995*	Power Cord

15.	* 620316457	Ice Chute Position Sensor Harness
16.	620314824	Electrical Interface Board
17.	* 620316487	Interface Harness
18.	* 620317468	Interface Harness (No Bonus)
19.	* 620316288	Main Board To Interface Board Synchronization Harness
20.	* 620316444	Solenoid Valve Harness
21.	* 620055260	Wiring Diagram Label
22.	187876000	Terminal Block

Note:

* NOT SHOWN

SEE WIRING DIAGRAM FOR CONNECTION DETAILS.

ICE DISPENSING ASSEMBLY DETAIL

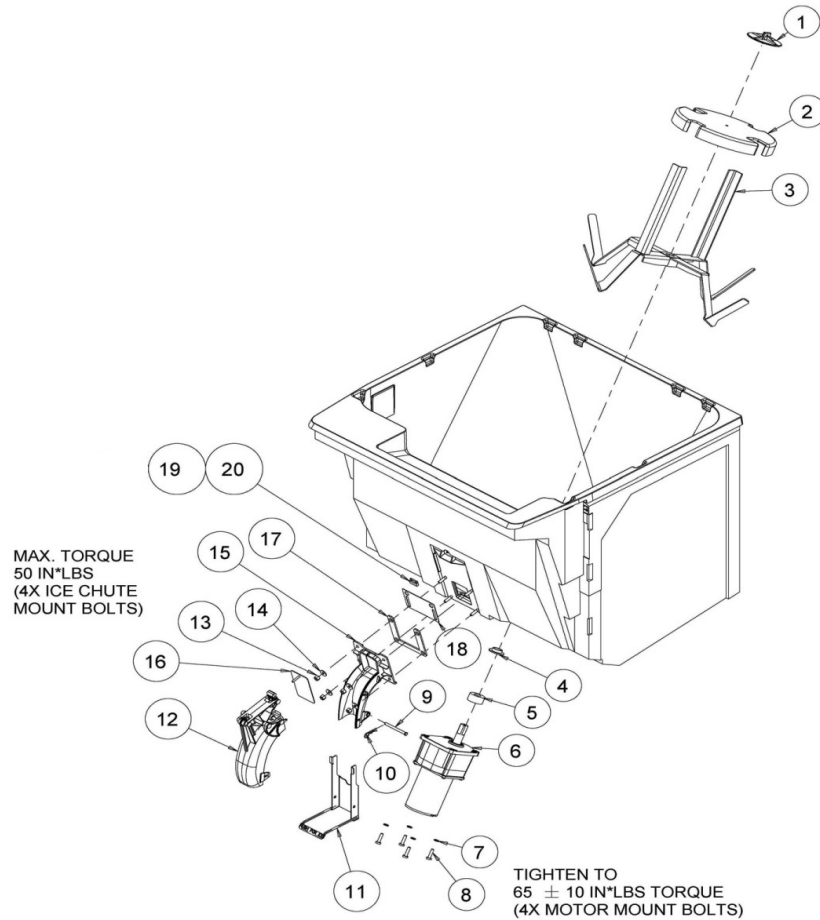


Figure 4.

Item No.	Part No.	Name
1	15087	Agitator Retainer
2	620042770	Agitator Disk
3	620042766	Agitator
	620042723	Agitator (opt. w/no disk reqd)
4	620711105	Gear Box Shaft Seal
5	52876	Gear Box Shaft Gasket
6	740002816	Service Motor 115V (Without Gear Box)
	740002817	Service Motor 230V (Without Gear Box)
	620068668	Motor Gear Agitator Asy 115v
	620071056	Motor Gear Agitator Asy 230v
7	186294000	Lock Washer .262 ID X .489 OD
8	620720590	Screw, 1/4-20, 1" LG Self-Locking
9	620051502	Clevis Pin, .250 X 2.75 Long, SS
10	620709432	Hairpin Cotter, SS

11	620047111	Ice Chute Push Bar
	*620709353	Ice Chute Lever
12	620518536	Upper Ice Chute Assembly
13	620709132	Hex Nut, 1/4-20 Nylock, SS
14	70066	Flat Washer, .265 750 .055" Thk, SS
15	620518535	Lower Ice Chute
16	620048706	Ice Gate
17	620710129	Ice Gate Gasket
18	620518908	Ice Gate Restrictor Plate
19	70178	Machine Screw #08-32-1/2" Long, SS
20	V25248	Flat Washer, #10 SS
21	*620314527	Ice Chute Position Sensor
22	* 90432	Heater Caution Label

Note:
* Not Shown

BEVERAGE DISPENSING ASSEMBLY DETAIL

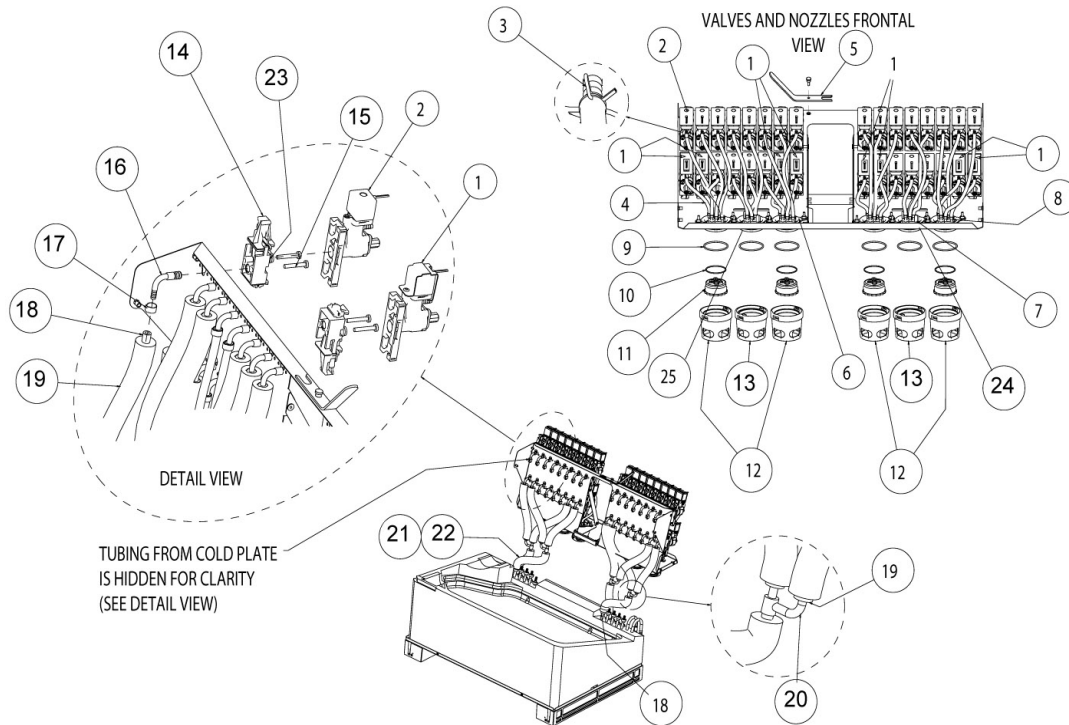


Figure 5.

Item No.	Part No.	Name
1	620607737	Water Valve: DO NOT SWITCH WITH ITEM 2
2	620607738	Syrup Valve: DO NOT SWITCH WITH ITEM 1
3	LBJ0602141	Torsion Spring Clamp 19/64"
4	620708932	Tygon Tubing 5/16 OD X 3/16 ID: Supplied in 6' Lengths. Connects between Valve Outlet and Baffle.
5	620716708	Valve removal tool
6	620042932	Diffuser: Requires item 9. Cap unused baffle inlets with item 7
7	620043130	Cap
8	311527000	Oetiker clamp # 8.7
9	620716317	O-ring 2.050" 103CS 65-70 Duro
10	620716316	O-ring 1.864" 070CS 65-70 Duro
11	620518712	Diffuser Assembly: Comes with item 10. For brand syrup valves only.
12	620516520	Brand Outer Nozzle
13	620516522	Bonus Outer Nozzle (Optional)
14	620518139	Valve Back Block
15	620700601	Screw, 10-16 Thread Forming Sheetmetal Phillips Head SS, 1.25 Long

Item No.	Part No.	Name
16	620709068	Elbow Fitting, 1/4 Barb X 1/4 Dole, SS
	50126	Must fully insulate with Prestite Insulation
16	50326	Insulation Tape
	312926000	Oetiker Clamp # 12.3
18	620708933	Tygon Tubing 7/16 ODX 1/4 ID: Supplied in 6' Lengths
	50126	Must fully insulate with Prestite Insulation
	50326	Insulation Tape
19	50163	Armaflex Insulation 3/8 ID X 3/8 WALL: Supplied in 6' lengths.
	77900800	Y-Fitting (2) 1/4 X 3/8 Barb,
	50126	Must fully insulate with Prestite Insulation
20	50326	Insulation Tape
	620607436	Polyethylene Tubing .380" ID X .593" OD: Supplied in 6' lengths.
22	50249	Armaflex Insulation Tubing 1/2 ID X 3/8 WALL: Supplied in 6' lengths.
23	321471000	Dow 111 Lubricant: Apply around O-rings.
24	620516691	No Bonus Cover Assembly (Optional)

KEYPAD ASSEMBLY DETAIL

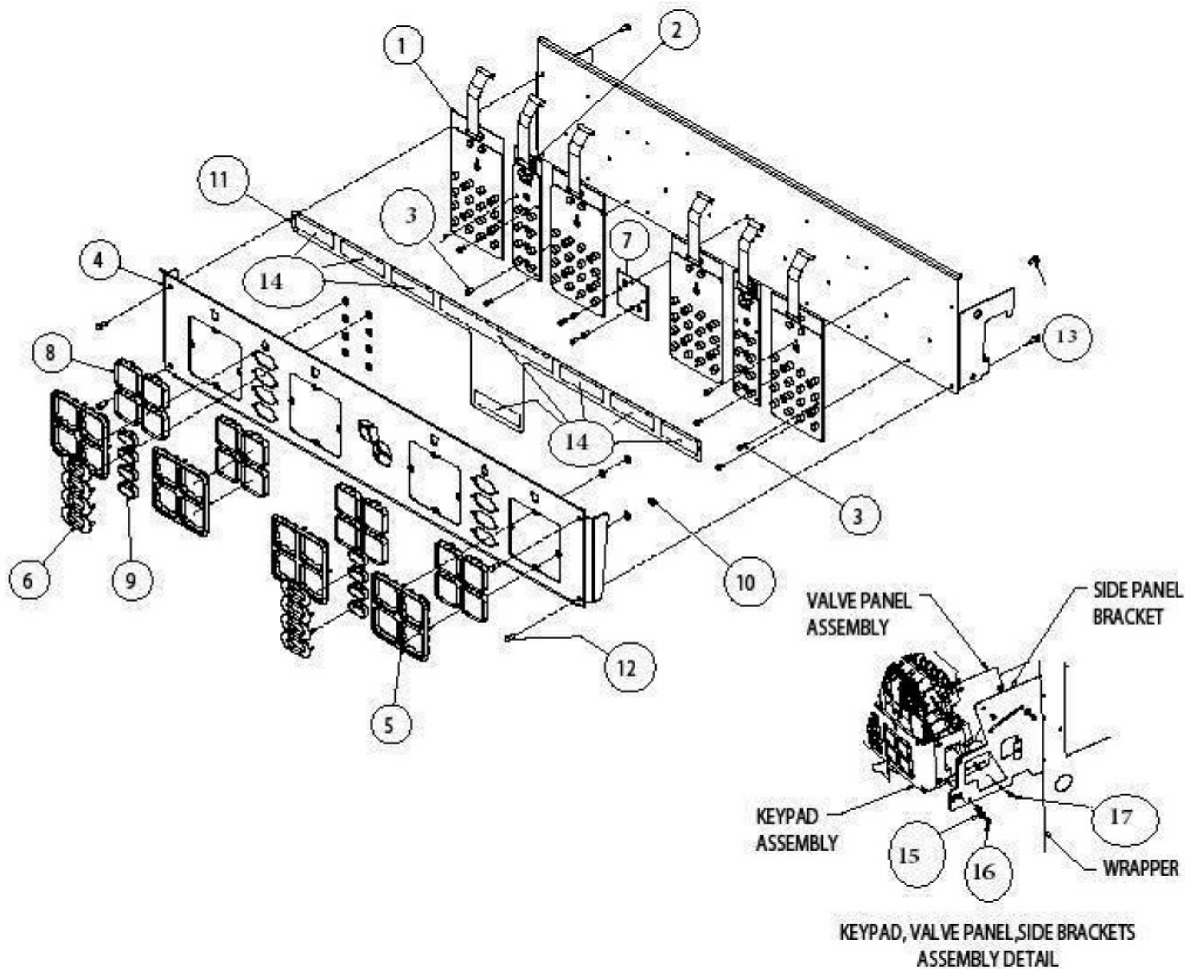


Figure 6.

Item No.	Part No.	Name
1	620045210	Brand Keypad: Order must include item 19
2	620045209	Bonus Keypad (Optional): Order must include item 19
3	620709634	Pine Tree Push In Clip .118" DIA
4	620716106	Front Bezel Panel (Generic)
	620716113	Front Bezel Panel (No Bonus)
5	620719401	Brand Bezel
6	620719402	Bonus Bezel (Optional)
7	620314836	Ice Icon Circuit Board
8	620719405	Brand Push Button
9	620719406	Bonus Push Button (Optional)
10	318036000	Push Nut, .125" DIA
11	620518222	Multicolor Indicator Lens

Item No.	Part No.	Name
12	620716907	Stand Off 6-32 Threaded
13	320734000	Machine Screw, #06-32 Pan Head Phillips with Lock Washer, 3/8" Long
14	000251107	Double Sided Tape 1" Wide: Apply tape as shown so backlighting of icons is not blocked. Supplied on a roll.
15	V25248	#10 Flat washer, SS
16	620720587	Shoulder Head Screw, #08-32 Phillips Head, SS
17	70171	Machine Screw, #8-32 Truss Phillips Head, 3/8" Long, SS
18	620317462	Keypad to E-board Transition Harness (not shown)

CARBONATOR TANK ASSEMBLY DETAIL

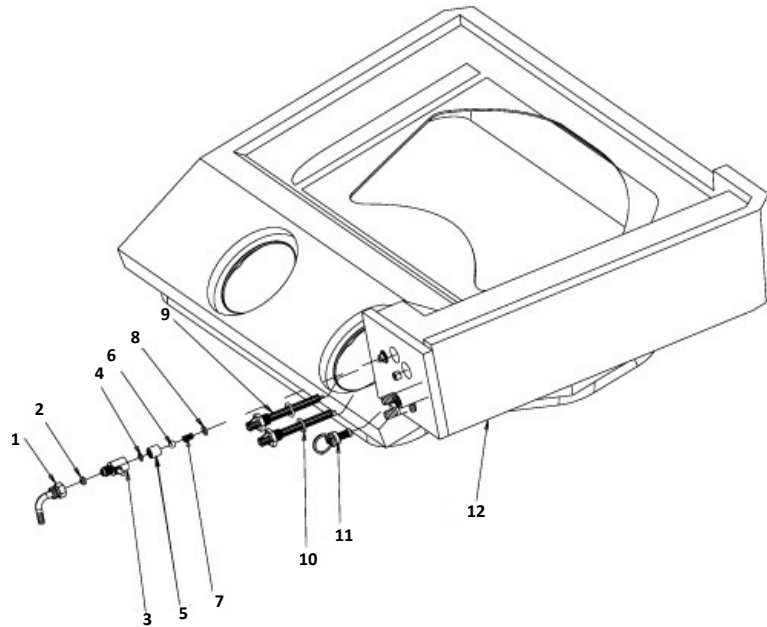


Figure 7.

Item No.	Part No.	Name
1	77040100	L-Swivel Fitting 7/16"-20 (1/4" FFL) FL X 1/4" Barb, SS
2	178025100	Male Gasket Flare Fitting
3	65259001	Check Valve Fitting
4	317015000	O-Ring, 2.39" ID, .070" CS 70 DU BU-N
5	64686	Check Valve Sleeve SS
6	64560	Check Valve Ball, .3125" SS
7	64678	Spring
8	31525012	O-Ring, .301" ID, .070" CS 60 DU BU-N
9	620607108	Liquid Level Control Probe: Must be purchased together w/ Item 10 (ORing)
10	150058000	O-Ring, .488" ID 103 CS 60 DU BU-N
11	318362000	Valve Relief Yel Carbonator
12	620043354	Cold Plate Cover Assembly

CARBONATOR TANK ASSEMBLY DETAIL

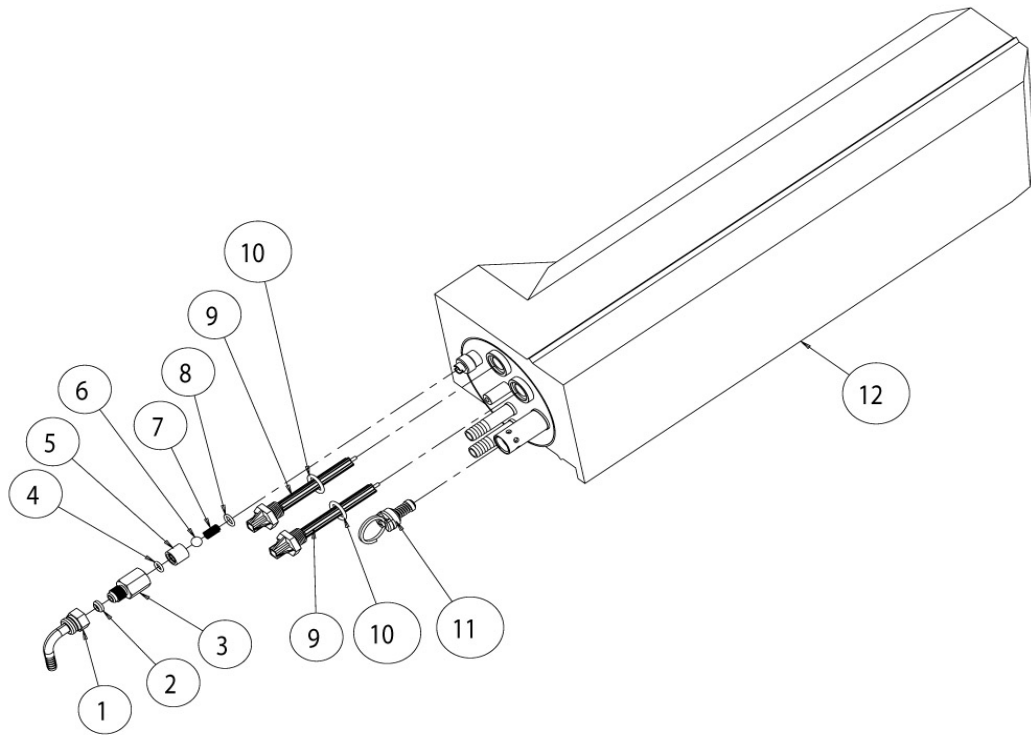


Figure 8.

Item No.	Part No.	Name
1	77040100	L-Swivel Fitting 7/16"-20 (1/4" FFL) FL X 1/4" Barb, SS
2	178025100	Male Gasket Flare Fitting
3	77401400	Check Valve Fitting
4	317015000	O-Ring .239" ID .070" CS 70 DU BU-N
5	64686	Check Valve, SS
6	64560	Check Valve Ball, .3125" SS
7	64678	Spring

Item No.	Part No.	Name
8	31525012	O-Ring .301" ID .070" CS 60 DU BU-N
9	620607108	Liquid Level Control Probe: Must be purchased together with item 10 (O-ring).
10	31525007	O-Ring .488" ID 103 CS 60 DU BU-N
11	318362000	Valve Relief Yel Carbonator
12	620518322	Carb Tank Complete Assembly

PUMP AND MOTOR ASSEMBLY DETAIL

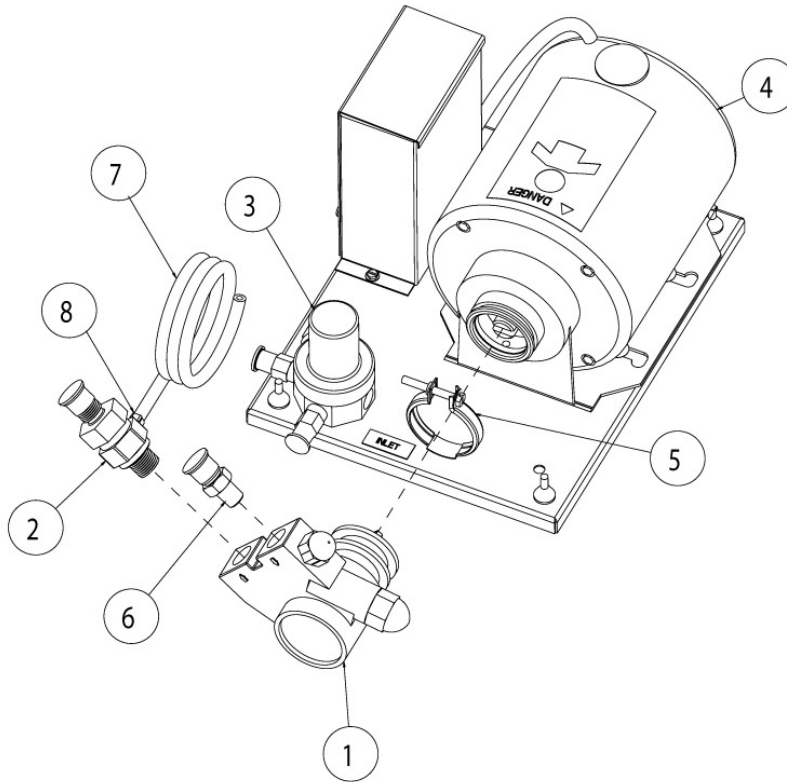
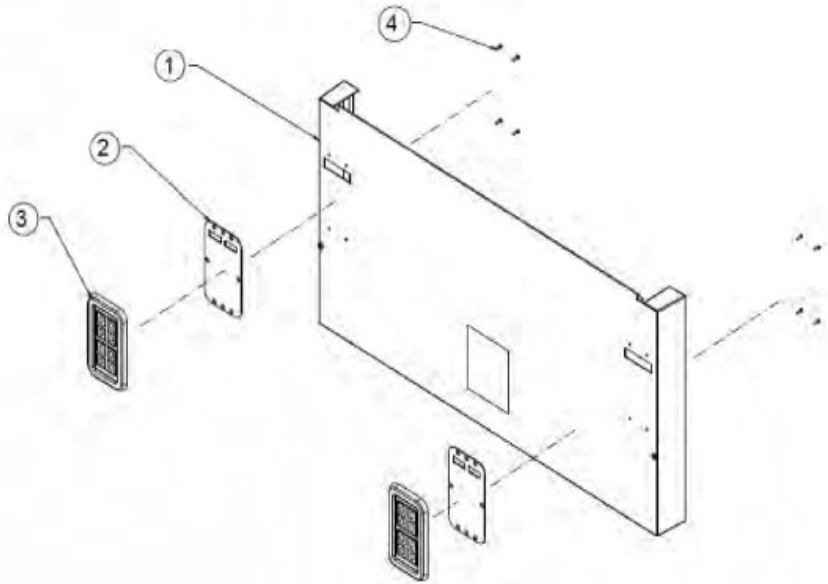


Figure 9.

Item No.	Part No.	Name
1	60170LL	Pump, 125GPH
2	620608773	Check Valve 3/8MPT 5/8-18
3	620709802	Pressure Regulator 75 PSIG
4	60030058	Motor Pump

Item No.	Part No.	Name
5	187483000	Clamp
6	21247013	Straight Fitting 3/8 MPT X 3/8 MF, Brass
7	174004000	Polyethylene Tubing .156" ID X .312" OD
8	311527000	Oetiker Clamp #8.7


Figure 10.

Item No.	Part No.	Name
1	620055148	Splash Panel
	620055695	Z Style Splash Panel
	620055760	ADA Z Style Splash Panel
	620055759	ADA Splash Panel
	620056477	ADA Panel (Flavor Overload)
	620056479	ADA Z Style Panel (Flavor Overload)
2	620055739	Lower Gasket
	620050223	Lower Gasket (Flavor Overload)
3	620055740	Key Pad Assembly
	620051142	Key Pad Assembly (Flavor Overload)
4	620051389	Screw, Philips Pan

Marmon Foodservice Technologies Inc.
www.marmonfoodservice.com
www.cornelius.com