



REMOTE AIR-COOLED CONDENSER

FEATURES



Environmentally Responsible

- Saves Energy.
- Eliminates heat and reduces noise from ice maker location.
- Reduces air conditioning requirements.



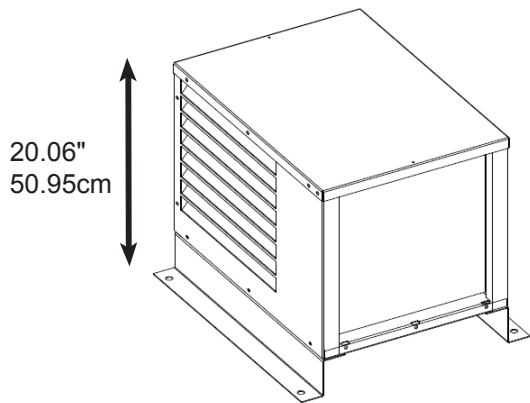
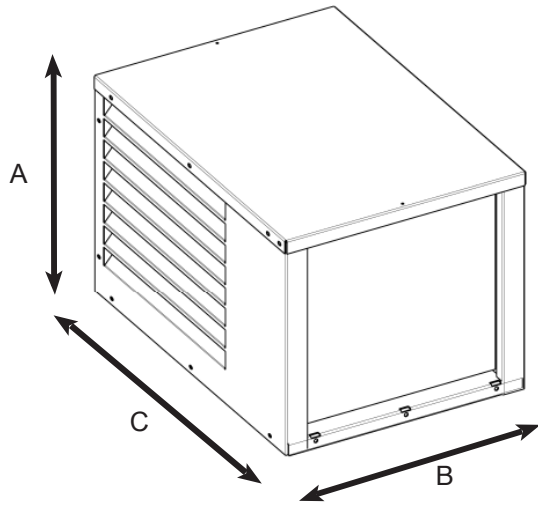
Durable

- Weather-proof housing.
- Condenser finish-Galvanized.
- High-efficiency copper and aluminum condenser.

SPECIFICATIONS

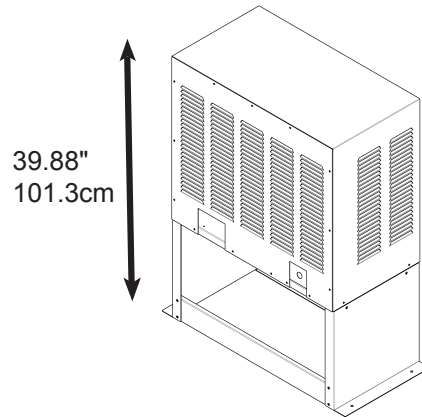
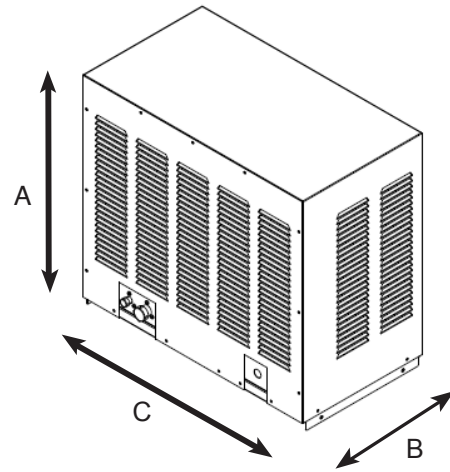
Model Number	Part Number	Description	Electrical (V/Hz/Ph)	Refrigerant	Min Circuit	Charge Qty	Shipping Weight
WCU-600	638090690	REMOTE CONDENSER FOR WCC700R	115/60/1	R404A	20 amps	86.9 Oz	100 lbs
CR1200	631700700	REMOTE CONDENSER FOR WCC2001R	208-230/60/1	R404A	20 amps	NA	110 lbs
CR1101	621058768	REMOTE CONDENSOR FOR WCC1401R	208-230/60/1	R404A	20 amps	NA	110 lbs

638090690
WCU-600



Unit height with legs

621058768 & 631700700
CR1101 & CR1200



Unit height with legs

OPERATING REQUIREMENTS


REFRIGERANT LINE SPECS

VERTICAL DROP : 20' (6.1M MAX)
VERTICAL LIFT : 20' (6.1M MAX)

MAXIMUM LINE LENGTH : 55' (16.8M)

**TUBE SIZE : 0.5" OD (1.27 CM) +
0.25" OD (0.63CM)**

**MAX FUSE SIZE : 25A (HVAC CIRCUIT
BREAKER REQUIRED)**

Refrigerant	R404a
Listings	

**Warrenty :- 2 years parts and limited labor
3 years compressor**

DIMENSIONS

UNIT	A	B	C
638090690	16.5" (41.9 cm)	18.25" (46.4 cm)	25.25" (64 cm)
621058768 631700700	26.5" (67cm)	13.5" (34cm)	28.5" (72cm)

ACCESSORIES

Line set for 621058768 & 631700700 (CR1101 & CR1200)

630900269 :-LINESET REMOTE 404A 90DE L20' DIA 3/8"

630900270 :-LINESET REMOTE 404A 90DE L35' DIA 3/8"

630900271 :-LINESET REMOTE 404A 90DE L55' DIA 3/8"

Line set for 638090690 (WCU600)

630900337 :-LINESET REMOTE 404A 90DE L20' DIA 1/4"

630900338 :-LINESET REMOTE 404A 90DE L35' DIA 1/4"

630900339 :-LINESET REMOTE 404A 90DE L55' DIA 1/4"

